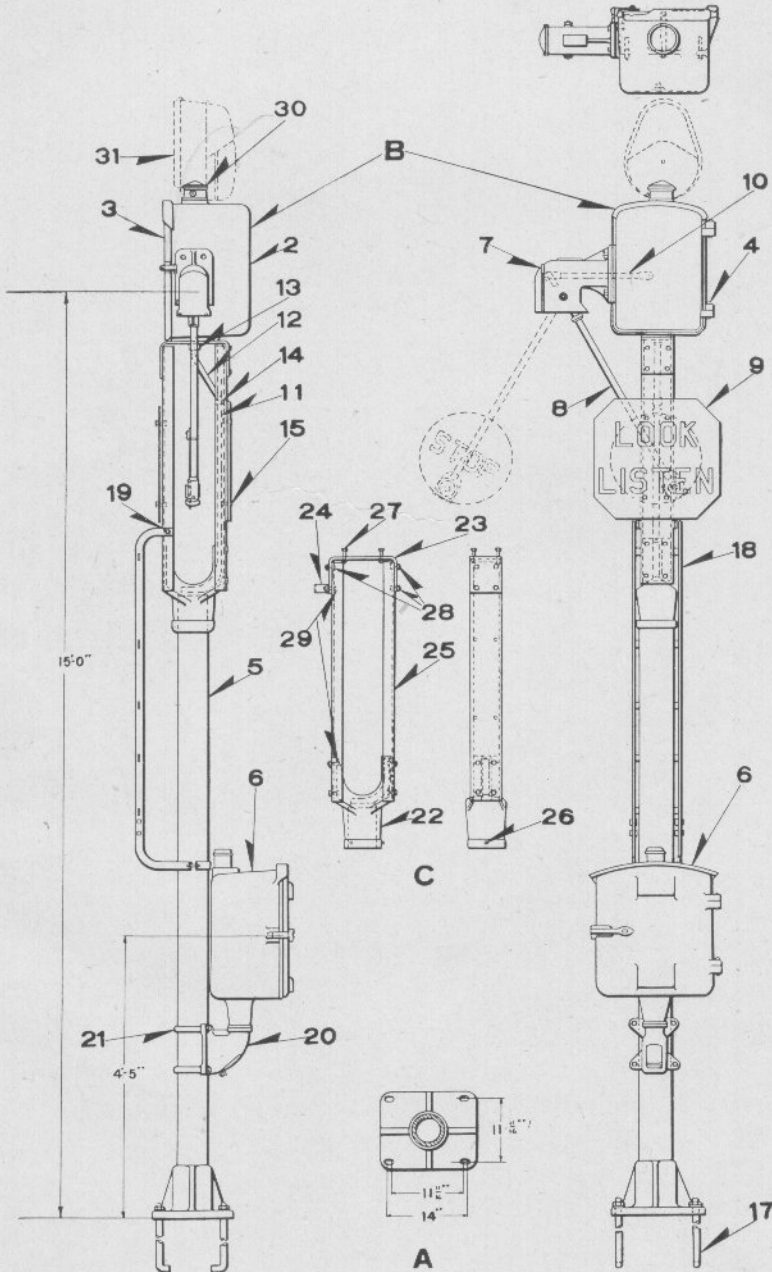


UNION SWITCH & SIGNAL CO.



STYLE "DW" AUTOMATIC FLAGMAN (D. C.) COMPLETE (FOR CENTER STREET LOCATION)

UNION SWITCH & SIGNAL CO.

STYLE "DW" AUTOMATIC FLAGMAN (D. C.) COMPLETE (FOR CENTER STREET LOCATION)

Order by Plate, Piece, Reference and Abbreviated Description Given in Heavy Face Type Only.

Piece	Ref.	Description	Drawing Reference
127871	A	Style "DW" Automatic Flagman (DC) for Center Street Location with 5" Pipe Post, Relay Box, Ladder and Banner Ref. 8 (without Crossing Bell) 15' 0" from Base to center of Banner Arm for Operation on 10 Volts.....	E-2999-3
127814	Aa	Style "DW" Automatic Flagman (DC) for Center Street Location with Banner Ref. 8a (without Pipe Post, Relay Box, Ladder or Crossing Bell) arranged for mounting on existing 5" Pipe Post for operation on 10 Volts with clear Indication Lamp on Banner Arm (without Banner Arm Lamp)....	E-2999-3
127869	B	Mechanism Case with D.C. Mechanism having 1000 Ohm Slot and 5 Ohm operating Magnets Ref. A, Plate K-9 and Pinnacle Ref. 30 for 10 Volt Operation for Ref. A.....	C-8284-2
127813	Ba	Mechanism Case with D.C. Mechanism having 1000 Ohm Slot and 5 Ohm operating Magnets and Latch Circuit Controller to light one Lamp in Clear Indication and one Lamp in Danger Indication Ref. Ad, Plate K-9 and Pinnacle Ref. 30 for 10 Volt operation for Ref. Aa.....	C-8284-2
127895	C	Support with 5" Pipe Socket for Ref. Aa arranged for attaching Mechanism to an existing 5" Pipe Post..	C-8884-14
115399	2	Mechanism Case (without Mechanism) for Refs. B and Ba.....	C-8284-2
115351	2a	Mechanism Case, Main Casting only for Ref. 2....	C-8884-16
73906	3	Cover, Includes Packing.....	C-8884-1
	3a	Flax Packing 3/8" x 3/8" x 6' 6 1/2" long for Ref. 3.	
	4	Rivet 1/2" x 3 1/4" Rd. Hd. I. for attaching Ref. 3 to Ref. 2.	

UNION SWITCH & SIGNAL CO.

STYLE "DW" AUTOMATIC FLAGMAN (D. C.) COMPLETE (FOR CENTER STREET LOCATION)

(Continued)

Order by Plate, Piece, Reference and Abbreviated Description Given in Heavy Face Type Only.

Piece	Ref.	Description	Drawing Reference
127870	5	5" Pipe Post with Socket, Case Support and Channels 14' 1 1/2" from bottom of Socket to Top of Case Support (Drilled for Relay Box).....	E-2999-3
128139	5a	5" Pipe Post with Socket and Channel Support (Drilled for Relay Box) 10' 9 1/2" from bottom of Socket to Top of Channel Support for Ref. 5.....	B-9893-110
127867	5b	5" Pipe Post with Socket and Channel Support (Undrilled) 10' 9 1/2" from bottom of Socket to Top of Channel Support for Ref. 5a.....	B-12440-10
119555	6	Relay Box.....	C-7976-20
115403	7	Banner Arm for Ref. A.....	C-8884-19
127811	7a	Banner Arm with Holes for Auxiliary Light for Ref. Aa.....	C-8884-19
123199	8	Banner, Lettered "Stop" as shown for Ref. A.....	C-8884-21
123201	8a	Banner, Lettered "Stop" with 3/4" Black Rim around outer edge on both sides complete for Ref. Aa.....	C-8884-21
115425	9	Mask for Refs. A and Aa.....	C-8884-10
115385	10	Operating Rod for Refs. A and Aa.....	C-8884-9
115419	11	Piece 3/4" Galv. I. Pipe 2' 0" Long for Refs. A and Aa.....	B-10919-2
	12	Piece 3/4" Galv. D. S. Flexible S. Conduit 3/4" I. D. x 1 3/16" O. D. 14" Long.	
	13	3/4" Conduit Panel Box Connector No. 39.	

UNION SWITCH & SIGNAL CO.

STYLE "DW" AUTOMATIC FLAGMAN (D. C.) COMPLETE (FOR CENTER STREET LOCATION)

(Continued)

Order by Plate, Piece, Reference and Abbreviated Description Given in Heavy Face Type Only.

Piece	Ref.	Description	Drawing Reference
	14	3/4" Galv. Pipe Coupling.	
	15	Bolt, 3/8" x 1 1/4" Sq. Hd. with 3/8" Plain Lock Washer (5/32" x 3/32") Std. Plate Washer and Hex. Nut.	
120802	16	Electric Lamp 12-Volt, .25 Ampere for 10 Volt Storage Battery Operation for Banner (Not shown)	B-12409-12
120803	16a	Electric Lamp 13.5-Volts, .25-Ampere for 10-Volt (16-Cell) Primary Battery Operation for Banner..	B-12409-12
10276	17	Foundation Bolt, 1" x 3' 0" with 1" Std. Plate Washer and 1" Hex. Nut for Ref. A.....	7913-54
127866	18	Ladder, 5' 3" long with Stays for Ref. A.....	B-10313-335
	19	Bolt, 1/2" x 1 1/2" Sq. Hd. with Hex. Nut and Washer Ref. 19a for attaching Top of Ladder to Channel	
41885	19a	Washer only for Ref. 19.....	8065-166
71278	20	Bracket for attaching Relay Box to Pole.....	C-8034-13
43931	21	"U" Bolt 3/4", with 3/4" Hex. Nuts for 5" Pipe for Fastening Bracket Ref. 20 to Pole.....	8782-66
127812	22	Channel Support and Socket for Ref. C.....	C-8884-24
115401	23	Support for Ref. C.....	C-8884-19
115407	24	Hand Grip for Ref. C.....	C-8884-19
115402	25	Channel for Ref. C.....	C-8884-19
	26	Set Screw, 5/8" x 1" Cupped Point Iron for Ref. C.	
	27	Bolt, 1/2" x 2 1/2" Sq. Hd. with Hex. Nut and 1/2" Plain Lock Washer (3/16" x 3/32") for Ref. C.	

**PLATE K-3**

**UNION SWITCH & SIGNAL CO.**

**STYLE "DW" AUTOMATIC FLAGMAN (D. C.) COMPLETE (FOR CENTER STREET LOCATION)**

(Continued)

Order by Plate, Piece, Reference and Abbreviated Description Given in Heavy Face Type Only.

Piece	Ref.	Description	Drawing Reference
	28	Bolt, 5/8" x 1 3/4" Sq. Hd. with Hex. Nut and 5/8" Plain Lock Washer (7/32" x 1/8") for Ref. C.	
	29	Bolt, 5/8" x 2" Sq. Hd. with Hex. Nut and 5/8" Plain Lock Washer (7/32" x 1/8") for Ref. C.	
70957	30	Pinnacle.....	B-8121-14
	31	Crossing Bell (See Plates K-80 D.C. and K-91 A.C.).	