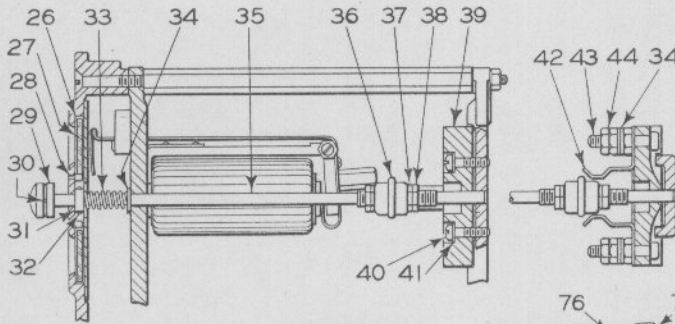
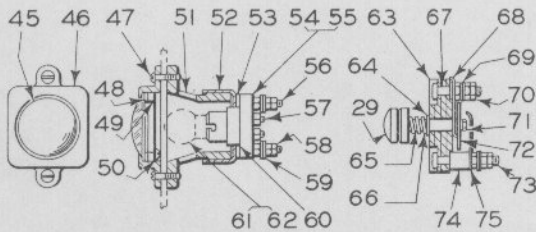


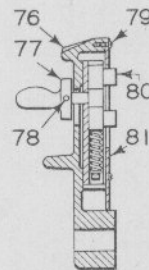
A - Electric Lock with Mechanical Indicator



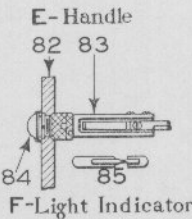
B - Push Button



C - Light Indicator



D - Push Button



E - Handle

Optional Parts For Type A Table Interlocker

**Type A Table Interlocker**  
**Optional Parts**

NOTE: The light indicator, Fig. C, is regularly furnished with a candelabra, 2 pin, bayonet base receptacle which takes an automobile type low-voltage lamp. It can be furnished with a miniature screw base receptacle which takes an S-8 bulb, carbon filament, 120 volt, 2 candle power lamp. See Figs. 55 and 62.

Drawing references are shown for convenience in checking shipping lists and invoices.

Fig. No.	Name	Drawing Reference
<b>Order by plate, figure number and name</b>		
A	Electric Lock with Mechanical Indicator, as shown. Specify voltage on which lock is to operate and if A.C. specify frequency. Indicator labeled, upper half locked, lower half unlocked.	
B	Push Button Complete, with one normally open contact, for use in table interlocker when magnet type of indicators are employed, includes all parts necessary to add to an existing machine. ....	42410-3 Gr. 1
B1	as above, except with normally closed contact. ....	42410-3 Gr. 3
C	Light Type Indicator Complete, as shown, for low-voltage lamp, has red bull's eye. Does not include lamp Fig. 61, which must be ordered separately. ....	47500-2 Gr. 3
C1	as above, except with green bull's eye. ....	47500-2 Gr. 5
C2	same as Fig. C, except with yellow bull's eye. ....	47500-2 Gr. 4
C3	same as Fig. C, except with clear bull's eye. ....	47500-2 Gr. 6
D	Push Button Complete, with one normally open and one normally closed contact, for use in table interlocker when light type of indicators are employed. ....	42410-2 Gr. 4
E	Handle Complete, with latch which must be lifted for each notch on upper surface of latch plate and depressed for each notch on lower surface of latch plate. ....	49734-2 Gr. 1
F	Light Type Indicator Complete, telephone type. ....	
1	Finger, with card holder for Fig. A, includes card labeled upper half locked, lower half unlocked. ....	{ 30136-4 33592-1 34496 51433-3

(Continued on following page)

**Type A Table Interlocker**  
**Optional Parts**

Drawing references are shown for convenience in checking shipping lists and invoices.

Fig. No.	Name	Drawing Reference
<b>Order by plate, figure number and name</b>		
2	Finger, with engraved plate labeled, upper half locked, lower half unlocked, raised polished letters on black background. ....	{ 30136-4 401-10 34496 47404-2
3	Support, with stop, for indicator. ....	{ 51411 Gr. 1 18285
4	Rod, for operating finger. ....	{ 29467-2 13160-2
5	Finger, as shown, includes plate and stud for rod Fig. 4. ....	{ 36777-2 441-26 0877
6	Screw, No. 14-24 x $\frac{3}{4}$ " hex. hd., for fastening support Fig. 3 to bracket Fig. 8. ....	{ 0657
7	Nut, No. 14-24 x $\frac{3}{16}$ " hex., for screw Fig. 6. ....	{ 50637
8	Bracket, as shown. ....	{ 51422
9	Locking Dog Complete, as shown, includes pin for attaching to armature finger. ....	{ 51413 Gr. 1
10	Core, for use with D.C. or A.C. lock. ....	{ 33884-2 Gr. 1
11	Nut, $\frac{3}{8}$ "-16 hex., for core Fig. 10. ....	{ 35519
12	Bracket, support for electric lock. ....	{ 51417
13	Washer, fibre, for coils. ....	{ 17546
14	Electric Lock Coil, direct current, two required for each lock. Resistance 153 ohms, operates on 8 volts. ....	{ 13162-2 Gr. 4
14a	as above, except resistance 255 ohms, operates on 10 volts. ....	{ 13162-2 Gr. 3
15	Electric Lock Coil, alternating current, two required for each lock. Resistance 4.25 ohms, operates on 110 volts, 60 cycles or 55 volts, 25 cycles. ....	{ 13162-2 Gr. 5
16	Screw, No. 8-32 x $\frac{1}{4}$ " rd. hd., for fastening fingers Figs. 1 and 2 to counterweight support. ....	{ 12920

(Continued on following page)

Type A Table Interlocker

Optional Parts

Drawing references are shown for convenience in checking shipping lists and invoices.

Fig. No.	Name	Drawing Reference
<b>Order by plate, figure number and name</b>		
17	Stud, used as counterweight.....	22666-1
18	Counterweight Support, as shown.....	47405-2
19	Screw, No. 8-32 fil. hd., dog point, hinge for counterweight support.....	1054-1
20	Nut, No. 8-32 x 1/8" hex., for screw Fig. 19.....	28948-1
21	Nut, No. 10-32 x 1/8" hex., for stud Fig. 22, and screw Fig. 23.....	577
22	Stud, used as counterweight.....	22666-3
23	Screw, No. 10-32, for attaching armature finger and kick-off spring to armature on D.C. lock.....	2784
23a	as above, except for use with A.C. lock.....	2435
24	Armature, includes residual pins.....	13158-1 35286-2
25	Kick-off Spring, for use with D.C. lock only.....	48136-1
26	Gasket, cork, for glass, Fig. 27.....	
27	Glass, 1/8" x 1 3/16" x 5", two required for each interlocker when push button Fig. B is used.....	
28	Stud, shouldered, support for glass Fig. 27.....	21871
29	Button, as shown, for Figs. B and B1.....	29493-1
29a	as above, except for Fig. D.....	54695
30	Pin, 1/16" x 7/8", for fastening button.....	16984
31	Collar, for rod Fig. 35.....	34453
32	Pin, 1/16" x 9/16", for fastening collar.....	5058
33	Spring, for rod Fig. 35.....	586-3
34	Washer, 1/4", for rod Fig. 35 and for terminal posts.....	1225-2
35	Rod, for operating contact.....	45284-3
36	Contact Button Complete, as shown.....	46553
37	Nut, special, for contact button Fig. 36.....	46548
38	Nut, 5/16"-24 x 1/8", hex., used as lock nut.....	50282
39	Terminal Block, for Fig. B.....	46015-4

(Continued on following page)

## Type A Table Interlocker

### Optional Parts

Drawing references are shown for convenience in checking shipping lists and invoices.

Fig. No.	Name	Drawing Reference
<b>Order by plate, figure number and name</b>		
40	Screw, No. 10-32 fil. hd., for fastening terminal block Fig. 39 to bracket for circuit controller . . . . .	21066-2
41	Washer, for screw Fig. 40 . . . . .	5046-1
42	Contact Spring, as shown for normally open push button . . . . .	1228-6
42a	as above, except for normally closed push button . . . . .	1288-7
43	Screw, No. 14-24 x 1 1/4" sq. hd., used as terminal posts . . . . .	48565-1
44	Nut, No. 14-24 x 3/16" hex., for terminal post Fig. 43 . . . . .	42839-1
45	Bull's eye, red . . . . .	47502-4
45a	as above, except green . . . . .	47502-6
45b	same as Fig. 45, except yellow . . . . .	47502-5
45c	same as Fig. 45, except clear . . . . .	47502-7
46	Cover, for bull's eye Fig. 45 . . . . .	34012-1
47	Screw, No. 6-32 x 1/2" rd. hd., for fastening cover Fig. 46 to shield Fig. 51 . . . . .	3913
48	Washer, cork, for bull's eye . . . . .	39113-2
49	Washer, for bull's eye . . . . .	10168-1
50	Screw, No. 6-32 x 3/8" rd. hd., for fastening washer Fig. 49 to cover Fig. 46 . . . . .	2552
51	Shield, as shown . . . . .	40537-6
52	Cap, for shield Fig. 51 . . . . .	40538-4
53	Washer, for receptacle . . . . .	36149-3
54	Receptacle Complete, single contact, bayonet base type . . . . .	47551-3 Gr. 1
54a	as above, except double contact . . . . .	47551-3 Gr. 3
54b	Receptacle, only, single contact, for Fig. 54 . . . . .	47551-1
54c	Receptacle, only, double contact, for Fig. 54a . . . . .	47551-2
55	Receptacle Complete, miniature screw base . . . . .	48205
56	Screw, No. 4-36 x 3/4" rd. hd., used as terminal post for receptacle . . . . .	35848
57	Screw, No. 4-36 x 5/8" rd. hd., for fastening receptacle to cap . . . . .	15753

(Continued on following page)

January 1932

## GENERAL RAILWAY SIGNAL COMPANY

## Type A Table Interlocker

## Optional Parts

Drawing references are shown for convenience in checking shipping lists and invoices.

Fig. No.	Name	Drawing Reference
<b>Order by plate, figure number and name</b>		
58	Nut, No. 4-36 hex., for screws Figs. 56 and 57.....	12680
59	Washer, $\frac{1}{8}$ " , for screws, Figs. 56 and 57.....	47847
60	Bushing, for receptacle Fig. 54.....	46750-1
61	Electric Lamp Bulb, 6-8 volts, 2 candle power, 2 pin bayonet base, G-6 bulb, tungsten single filament.....	48088-4
61a	as above, except 12-16 volts, 2 candle power.....	48088-5
61b	same as Fig. 61, except 18-24 volts, 2 candle power.....	48088-3
61c	same as Fig. 61, except 6-8 volts, 15 candle power.....	48088-17
61d	same as Fig. 61, except double contact 12-16 volts 3 candle power.....	48088-6
61e	same as Fig. 61, except miniature screw base, 14 volts, 2 candle power.....	43198-7
62	Electric Lamp Bulb, miniature, candelabra screw base, S-8 bulb, 125 volts, 2 candle power, for use with receptacle Fig. 55.....	37751
63	Block, for push button Fig. D.....	46015-3
64	Bushing, for stud Fig. 65.....	8942-20
65	Stud, for disc Fig. 72.....	8885-18
66	Spring, for stud Fig. 65.....	786-16
67	Screw, No. 10-32 x $\frac{7}{8}$ " , sq. hd., used as terminal post.....	351
68	Contact Spring, for normally closed contact.....	32242-3
69	Washer, for terminal posts.....	5046-2
70	Nut, No. 10-32 hex., for terminal posts.....	40796
71	Nut, No. 6-32 hex., for stud Fig. 65.....	50314-2
72	Disc, makes contact with springs.....	6711-1
73	Screw, No. 10-32 x $1\frac{1}{4}$ " sq. hd., used as terminal posts.....	351-1
74	Bushing, for terminal post Fig. 73.....	45718-2
75	Contact Spring, for normally open contact.....	32242-4
76	Crank, for handle Fig. E.....	29649-3
77	Knob, as shown.....	49843-3

(Continued on following page)

Type A Table Interlocker

Optional Parts

Drawing references are shown for convenience in checking shipping lists and invoices.

Fig. No.	Name	Drawing Reference
<b>Order by plate, figure number and name</b>		
78	Pin, $\frac{3}{8}$ " x 1", for fastening knob to guide Fig. 80.....	18094
79	Screw, No. 4-36 x $\frac{1}{4}$ ", for fastening cover plate Fig. 81 to crank....	33588
80	Guide Complete, with studs which operate in latch plate notches and with stud, for knob Fig. 77.....	51437 Gr. 1
81	Cover Plate, for back of crank Fig. 76.....	51438
82	Front Plate, only, for use when light type indicator is used.....	51418-8
83	Light Indicator Complete, telephone type, includes all parts for mounting to front plate, does not include lamp.....	54603 Gr. 1
84	Cap Complete, for telephone type indicator, includes lens and holder Specify color desired.....	47501-4
85	Lamp, as shown, for telephone type indicator, 4 volts.....	52879
85a	as above, except 12 volts.....	52879-1
85b	same as Fig. 85, except 16 volts.....	52879-3
85c	same as Fig. 85, except 24 volts.....	52879-2