

See 7000 sheet 7 for signs and markers applied to other configurations of position light signals

GROUND MAST MOUNTING
For signals with number plates in lieu of marker lamps

SEE NOTES ON SHEET 1

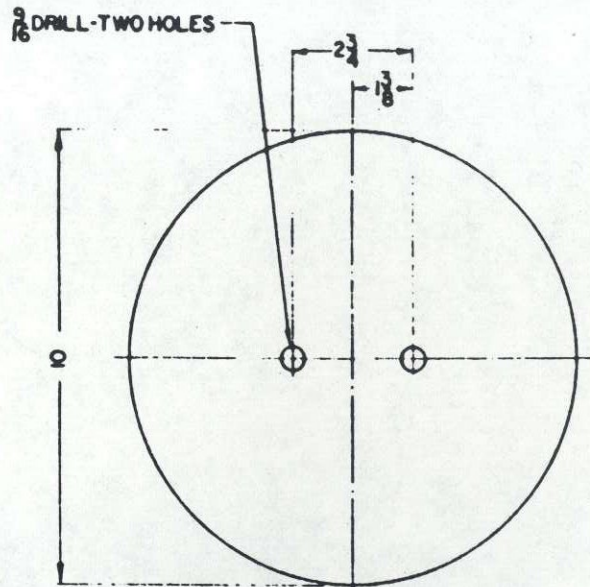
SHEET 11

CONRAIL  **CS-7000**

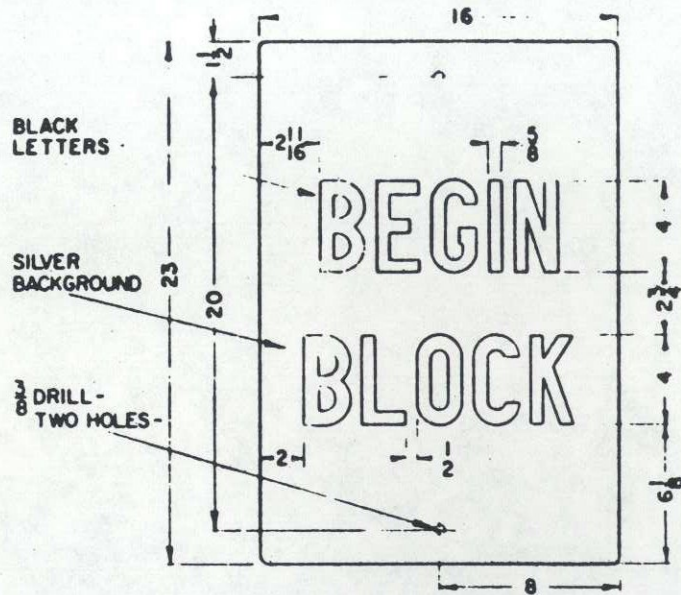
STANDARD

SIGNS AND MARKERS
MOUNTING OF NUMBER PLATES AND
GRADE MARKERS WITH POSITION
LIGHT SIGNALS
JUN 13, 1983

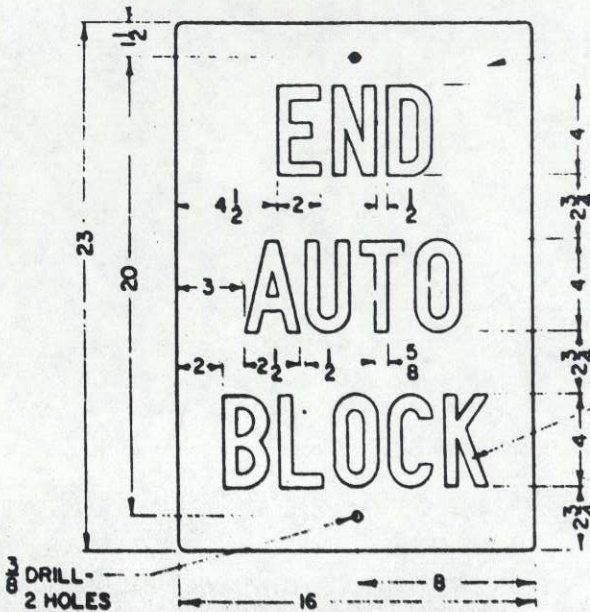
Rev A 12-3-80 - stop sign
7000-18 eliminated from
this sheet only
Rev B 6-9-83 - added det
7000-36 bracket



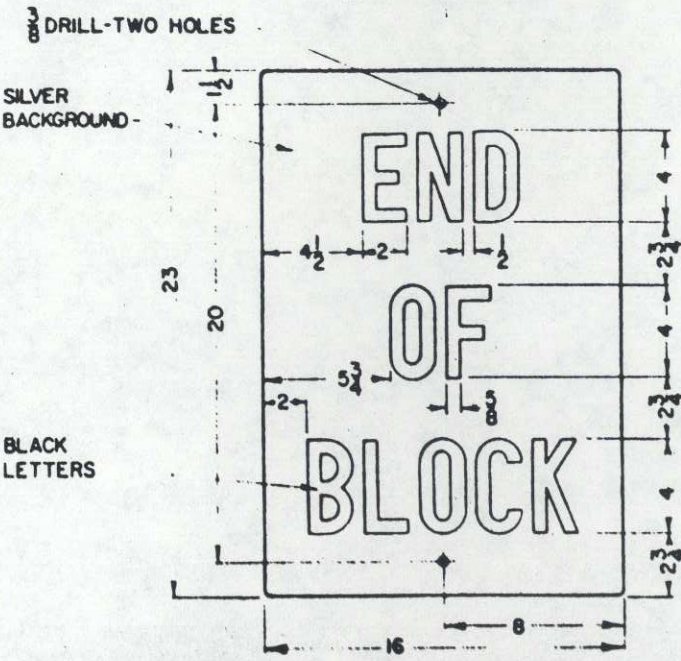
MARKER 7000-8 - RED BACKGROUND
MARKER 7000-9 - YELLOW BACKGROUND
MARKER 7000-10 - BLUE BACKGROUND



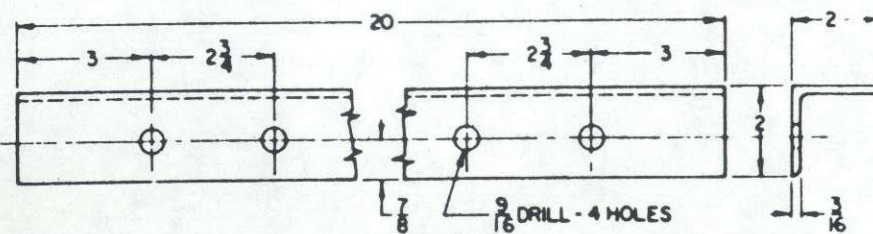
SIGN 7000-11



SIGN 7000-17

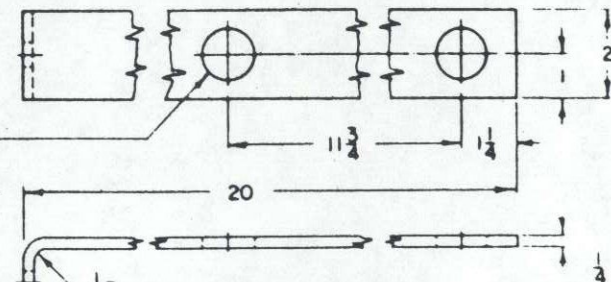


SIGN 7000-19



BRACKET 7000-36

Material - aluminum alloy angle 6061 T6, for use
with bracket 7000-25 to support markers 7000-8
7000-9



BRACKET 7000-39

To be furnished complete with fasteners
specified
Material 1018 steel
Use with 7000-7 grade marker

SEE NOTES ON SHEET 1

SHEET 2
CONT'D ON SH 3



CS-7000-B

STANDARD

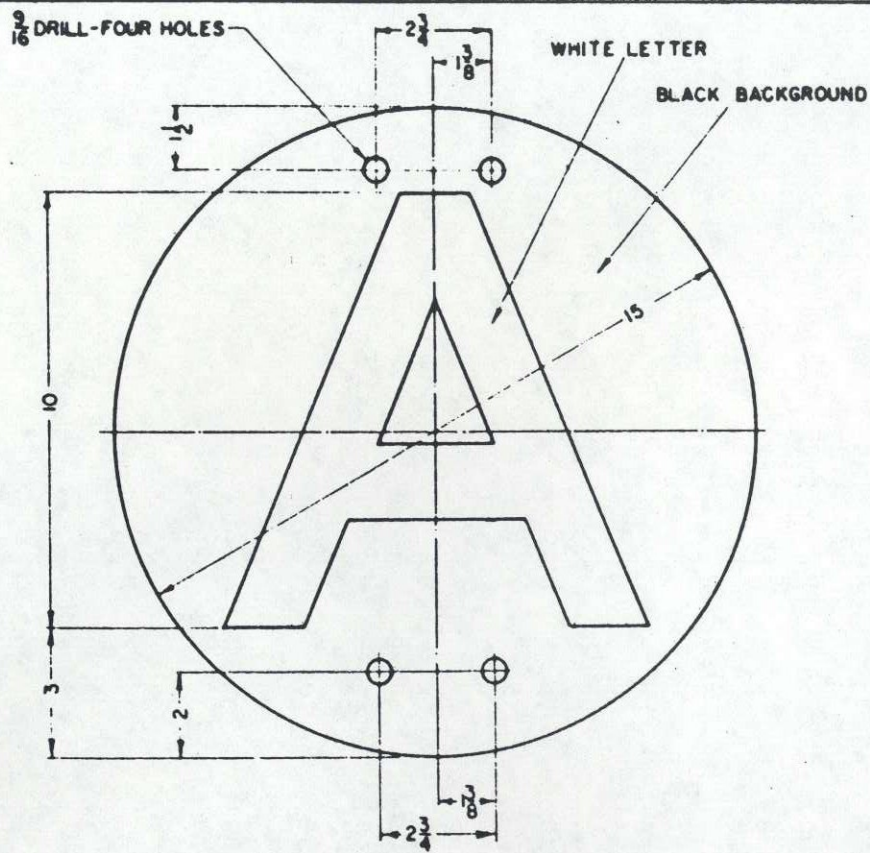
SIGNS AND MARKERS
DUMMY MAST MARKER, BEGIN BLOCK, END
OF BLOCK, END OF AUTO BLOCK,
AND STOP SIGNS

OCT 28, 1976

64

Rev A 8-10-79: added details 15, 30, & 31
 Rev B 2-19-80: added details 20 & 22, added sheet: nos in reference column, corrected 7000-21 to read Rule 281(D)
 Rev C 12-4-80: added item 12, approach sign, MOW 7837 reference, & account numbers to items 12 & 13. Added account ref nos for items 1, 3, 11, 17, 21, & 31

Rev D 6-9-83: added det 7000-36 bracket
 Rev E 11-4-85 removed MOW approach & show signs from mat 1 list



MARKER-LETTER 'A' 7000-21
 Use with bracket 7000-25 or -26
 See Rules 281(D), and 285(B) for use of this marker.

| ITEM | NAME | REFERENCE | REQ | ACCT NO | ITEM | NAME | REFERENCE | REQ | ACCT NO |
|------|--------------------------|-----------|-----|-----------|------|-------------------------|-----------|-----|-----------|
| 1 | SIGN, SLIDE PROTECTION | SHEET 1 | | 02-491270 | 32 | BRACKET, DOUBLE-4" MAST | SHEET 5 | | |
| | | | | | 33 | SIGN, END OF CIRCUIT | SHEET 6 | | 02-490751 |
| 3 | SIGN, DISTANT SWITCH | SHEET 1 | | 02-488524 | | | | | |
| | | | | | 35 | BRACKET | SHEET 6 | | 02-081253 |
| 5 | MARKER, SPEED LIMIT (45) | SHEET 1 | | 02-294500 | 36 | BRACKET | SHEET 2 | | |
| | | | | | 37 | BRACKET | SHEET 6 | | 02-081006 |
| 7 | MARKER, GRADE SIGNAL | SHEET 1 | | 02-293502 | | | | | |
| 8 | " - RED | SHEET 2 | | | 39 | BRACKET | SHEET 2 | | |
| 9 | " - YELLOW | SHEET 2 | | 02-294252 | | | | | |
| 10 | " - BLUE | SHEET 2 | | | 41 | CLAMP | SHEET 5 | | |
| 11 | SIGN, BEGIN BLOCK | SHEET 2 | | 02-487229 | | | | | |
| 12 | | | | | 43 | EXTENSION | SHEET 5 | | |
| 13 | | | | | | | | | |
| | | | | | 45 | BRACKET | SHEET 5 | | |
| 15 | SIGN, CP LOCATION | SHEET 9 | | 02-487211 | | | | | |
| | | | | | 47 | POST, SIGN - 8' 0" | MW78480A | | 02-353728 |
| 17 | SIGN, END AUTO BLOCK | SHEET 2 | | 02-487401 | | | | | |
| | | | | | 49 | POST, SIGN - 4' 0" | MW78480A | | 02-353710 |
| 19 | SIGN, END OF BLOCK | SHEET 2 | | 02-492252 | 50 | WASHER, 3/8 NEOPRENE | SHEET 9 | | 19-779170 |
| 20 | MARKER, TAKE SIDING | SHEET 10 | | 02- | 51 | WASHER, 1/2 NEOPRENE | SHEET 9 | | 19-779196 |
| 21 | MARKER, LETTER "A" | SHEET 3 | | 02-293247 | | | | | |
| 22 | MARKER, SPRING SWITCH | SHEET 10 | | 02-293205 | | | | | |
| 23 | PLATE, SIGNAL NUMBER | SHEET 4 | | 02-346805 | | | | | |
| | | | | | | | | | |
| 25 | BRACKET, FOR 5" MAST. | SHEET 4 | | 02-075859 | | | | | |
| 26 | BRACKET, FOR 6" MAST | SHEET 4 | | | | | | | |
| 27 | BRACKET, FOR 3 1/2" MAST | SHEET 4 | | | | | | | |
| 28 | BRACKET, DOUBLE-5" MAST | SHEET 5 | | | | | | | |
| 29 | BRACKET | SHEET 5 | | 02-075842 | | | | | |
| 30 | BRACKET, FOR 4" MAST | SHEET 4 | | | | | | | |
| 31 | SIGN, MANUAL BLOCK | SHEET 6 | | 02-490306 | | | | | |

SEE NOTES ON SHEET 1

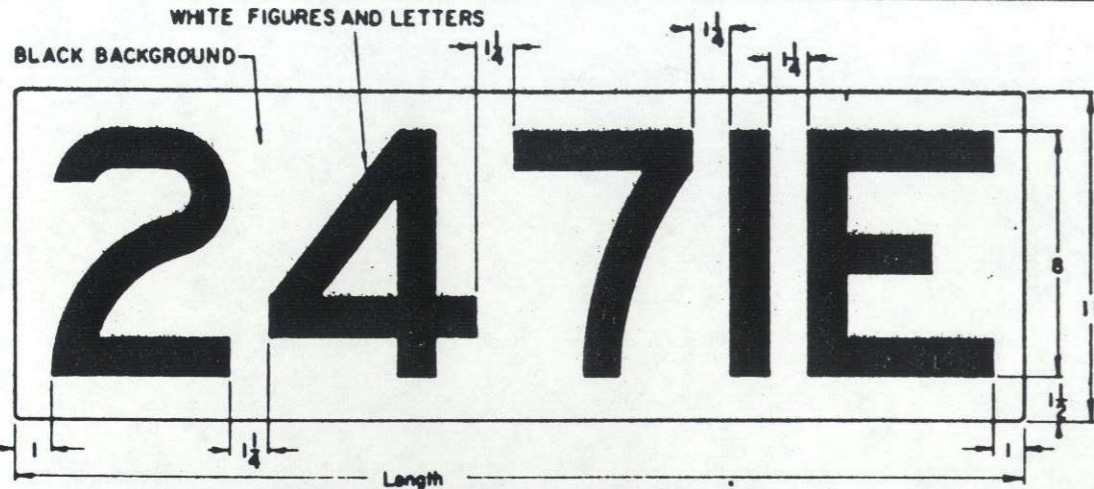
SHEET 3
 CONT'D ON SH 4

CONRAIL  **CS-7000-E**

STANDARD
SIGNS AND MARKERS
 LETTER "A" MARKER, AND ACCOUNT
 REFERENCE NUMBER LIST
 OCT 28, 1978

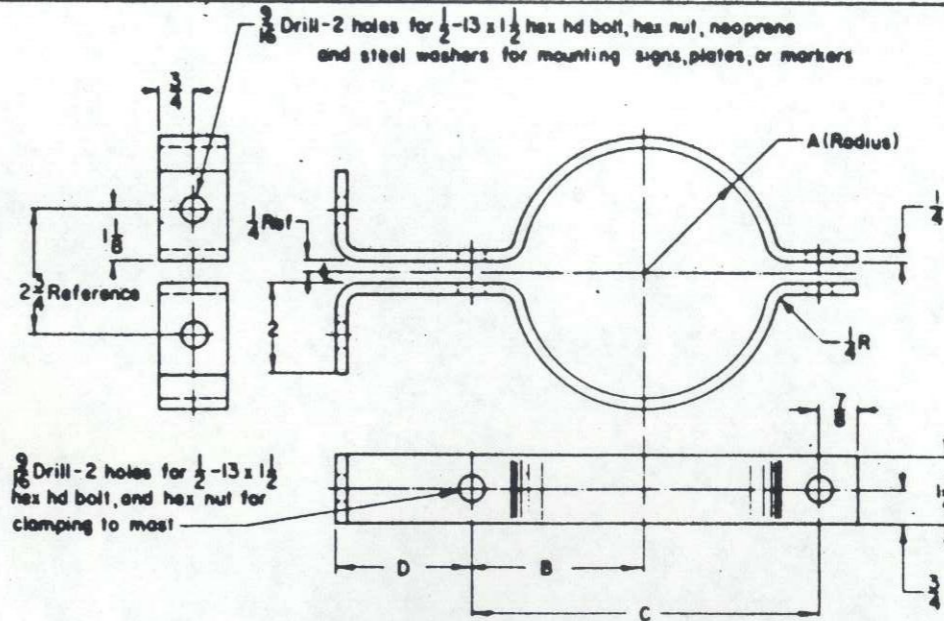
Revised 11-4-85

65



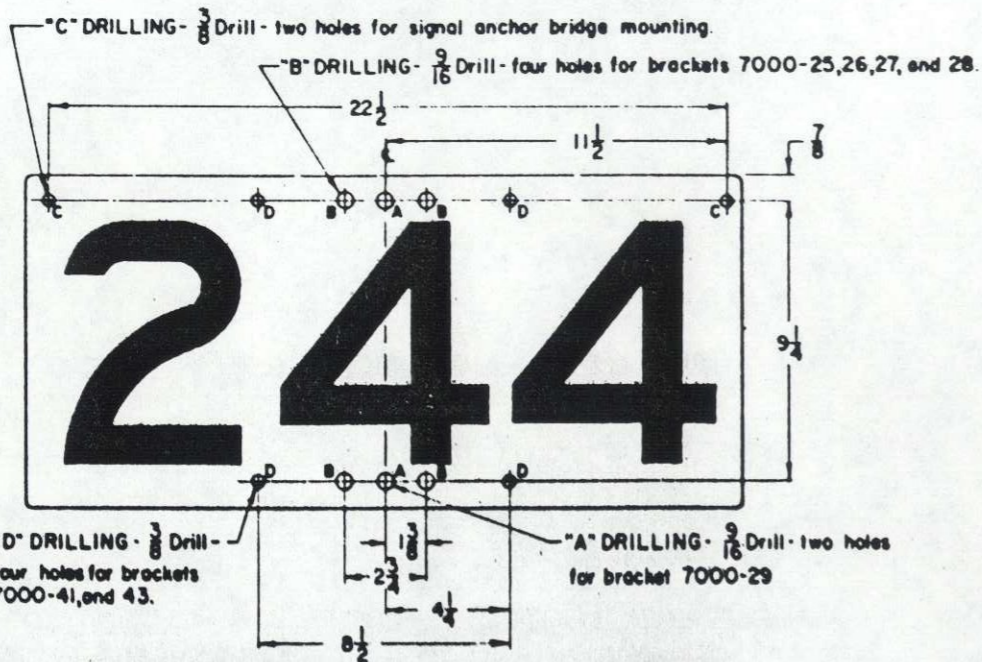
7000-23 NUMBER PLATE-TYPICAL

Specify signal number required in accordance with CBS 23, section 119 instruction. Length of sign to be made to suit figures and letters used, except when drilling "C" is called for. In that case, the minimum length of sign is 24 inches, with figures centrally grouped. Specify drilling A, B, C, or D as required. See drilling diagram below. For material specification, see note 1.



- 7000-25 BRACKET FOR 5" MAST A=2 3/8 B=3 7/8 C=7 1/4 D=3
- 7000-26 BRACKET FOR 6" MAST A=3 3/8 B=4 1/2 C=9 D=2 3/8
- 7000-27 BRACKET FOR 3-1/2" MAST A=2 B=3 1/4 C=6 1/2 D=3
- 7000-30 BRACKET FOR 4" MAST A=2 1/4 B=3 1/2 C=7 D=3

To be furnished complete as shown including fasteners specified.
Material - 1018 steel



DRILLING DIAGRAM

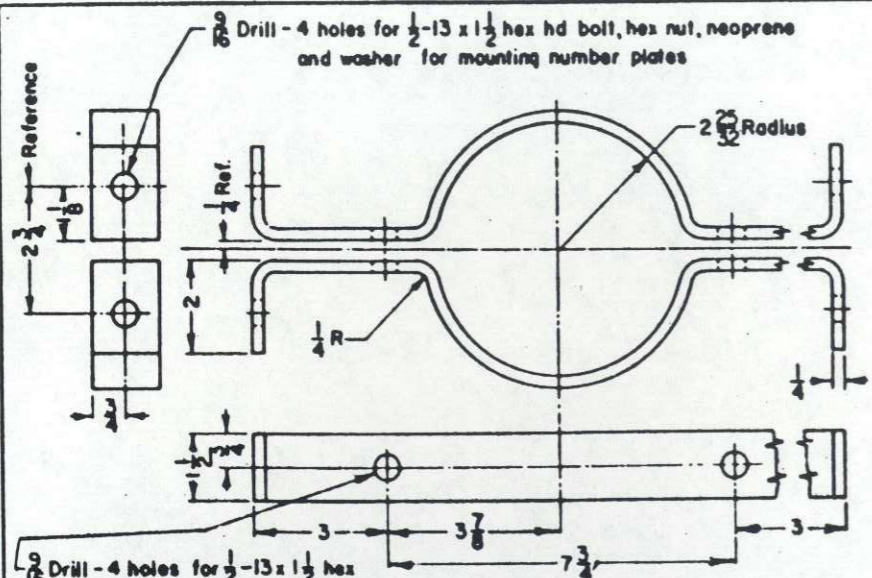
See sheet 7 & 8 for mountings and brackets used

SEE NOTES ON SHEET 1

SHEET 4 CONT'D ON SH 5 **CONRAIL** CS-7000-A

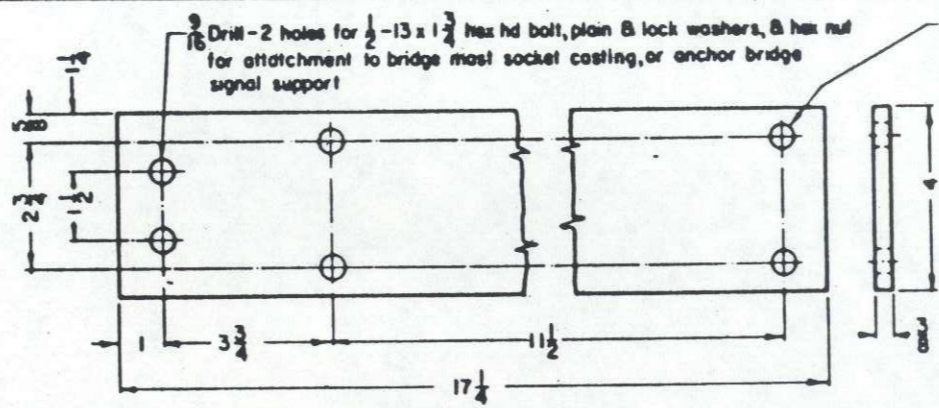
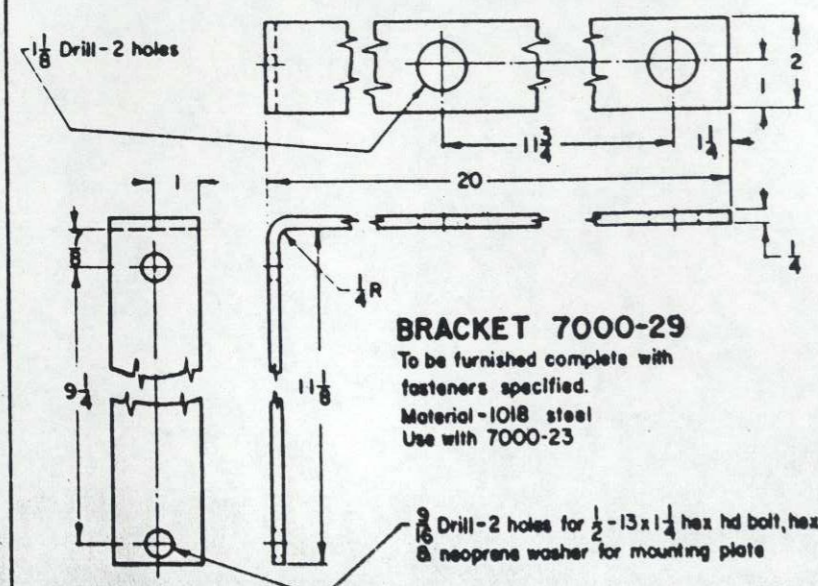
STANDARD
SIGNS AND MARKERS
SIGNAL NUMBER PLATES AND BRACKETS

FEB. 26, 1979



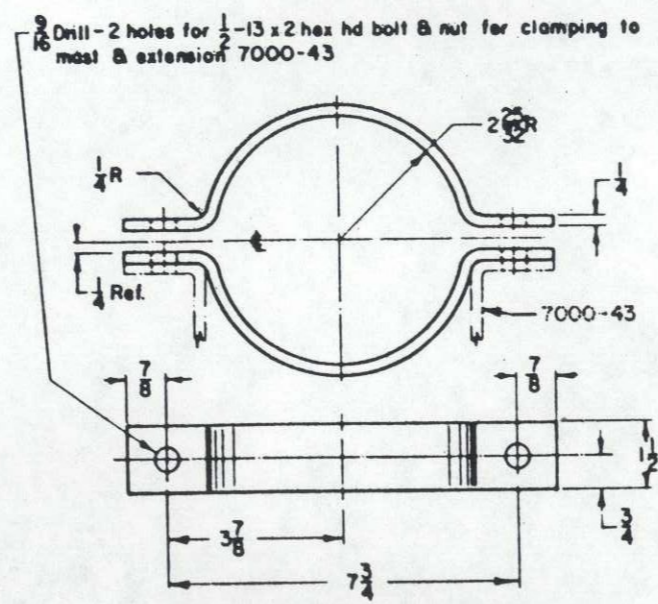
BRACKET FOR 5th MAST 7000-28
BRACKET FOR 4th MAST 7000-32

To be furnished complete as shown, with fasteners specified Material-1018 steel. Use bracket for mounting number plates and markers back to back.



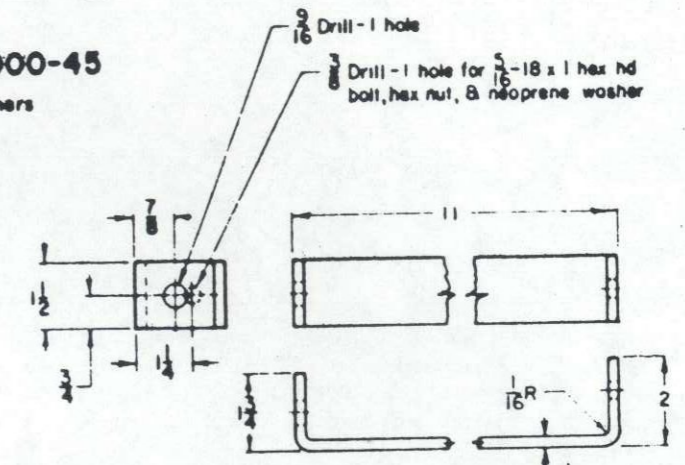
BRACKET FOR GRADE MARKER 7000-45

To be furnished complete as shown, including fasteners specified Material-1018 steel



CLAMP 7000-41 FOR 5th MAST

To be furnished complete as shown, with fasteners specified. Material-1018 steel Use with 7000-23 and -43



EXTENSION 7000-43

To be furnished complete as shown, in pairs, with fasteners specified. Material-1018 steel Use with 7000-41

SEE NOTES ON SHEET 1

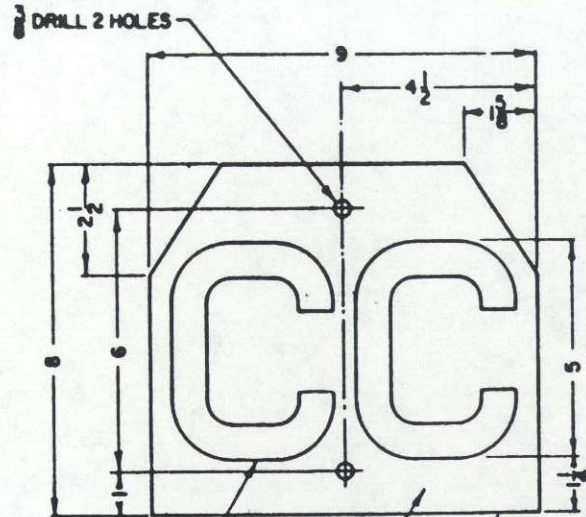
SHEET 5
 CONT'D ON SH 6

CONRAIL

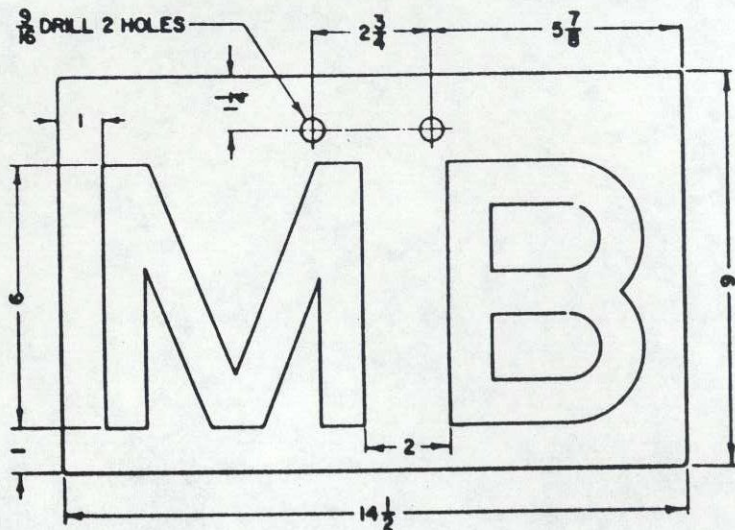
CS-7000

STANDARD
**SIGNS AND MARKERS
 MOUNTING BRACKETS**

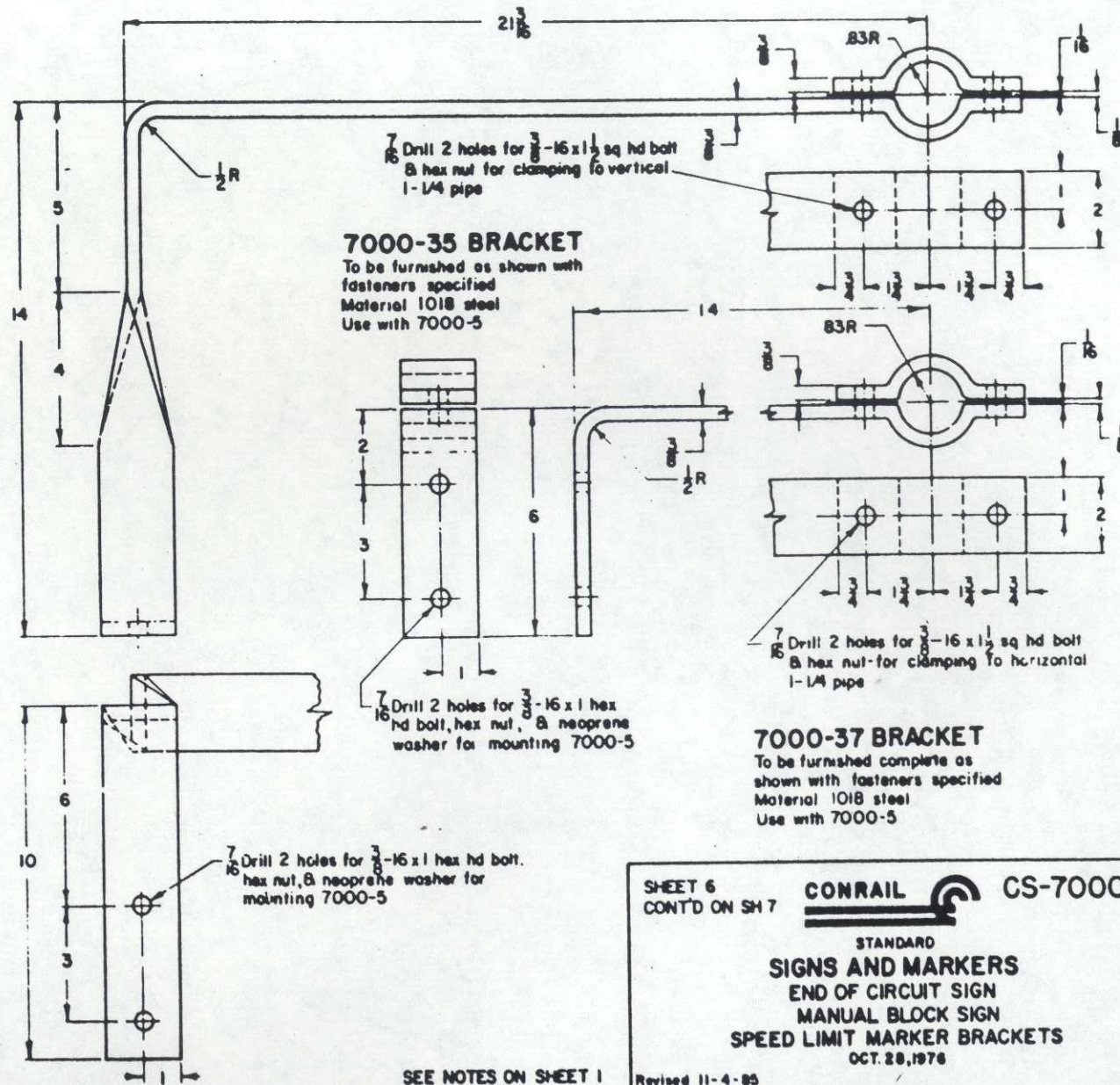
OCT. 28, 1976



BLACK LETTER
 SILVER BACKGROUND
7000-33 SIGN-END OF CIRCUIT
 See note 9 for use of this sign



7000-31 SIGN-MANUAL BLOCK



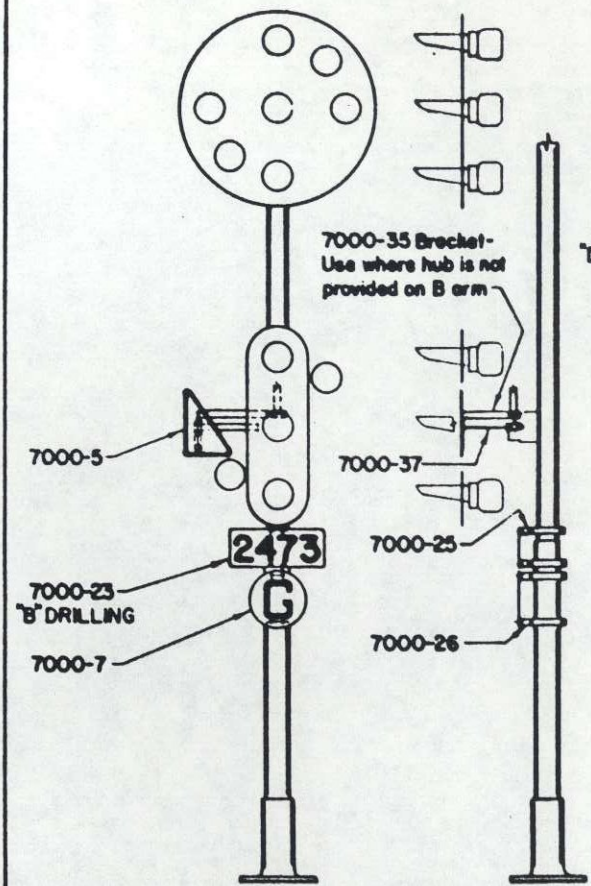
SEE NOTES ON SHEET 1

SHEET 6
 CONT'D ON SH 7

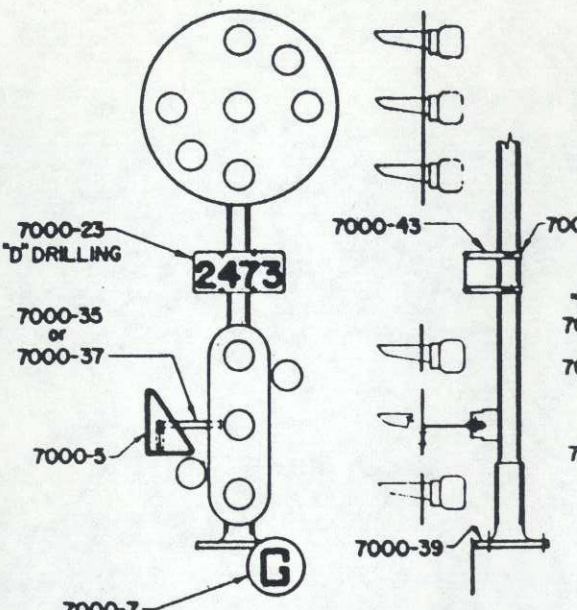
CONRAIL  **CS-7000-A**

STANDARD
SIGNS AND MARKERS
 END OF CIRCUIT SIGN
 MANUAL BLOCK SIGN
 SPEED LIMIT MARKER BRACKETS
 OCT. 28, 1976

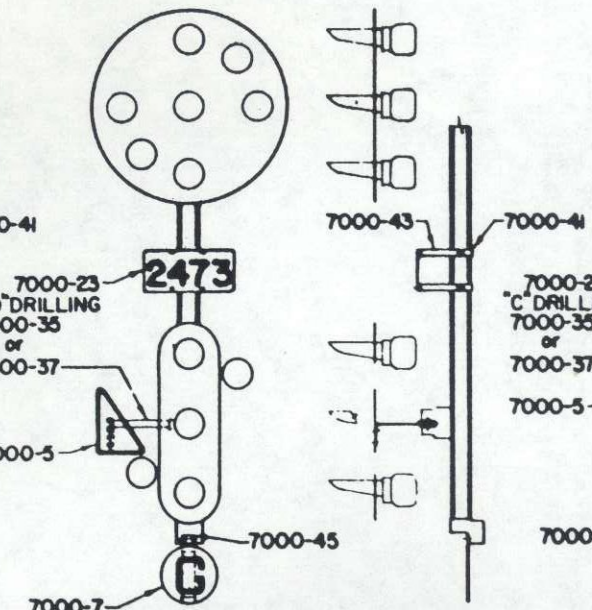
Revised 11-4-85



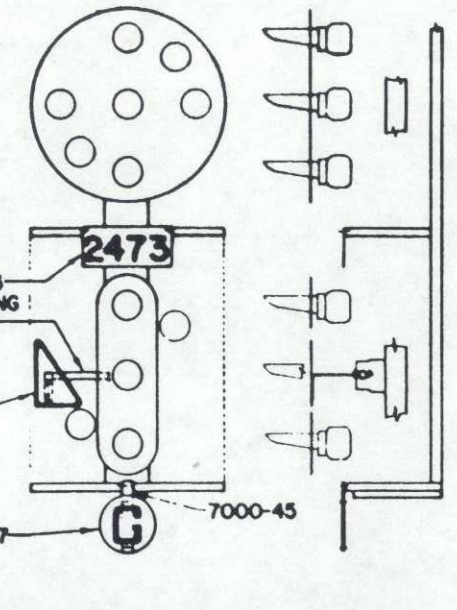
GROUND MAST MOUNTING



CANTILEVER BRIDGE MOUNTING



BRIDGE MAST MOUNTING



ANCHOR BRIDGE MOUNTING

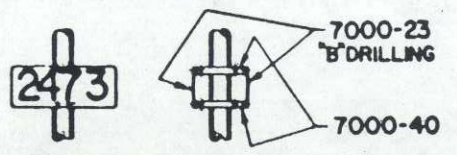
SEE NOTES ON SHEET 1

SHEET 7
CONT'D ON SH 8

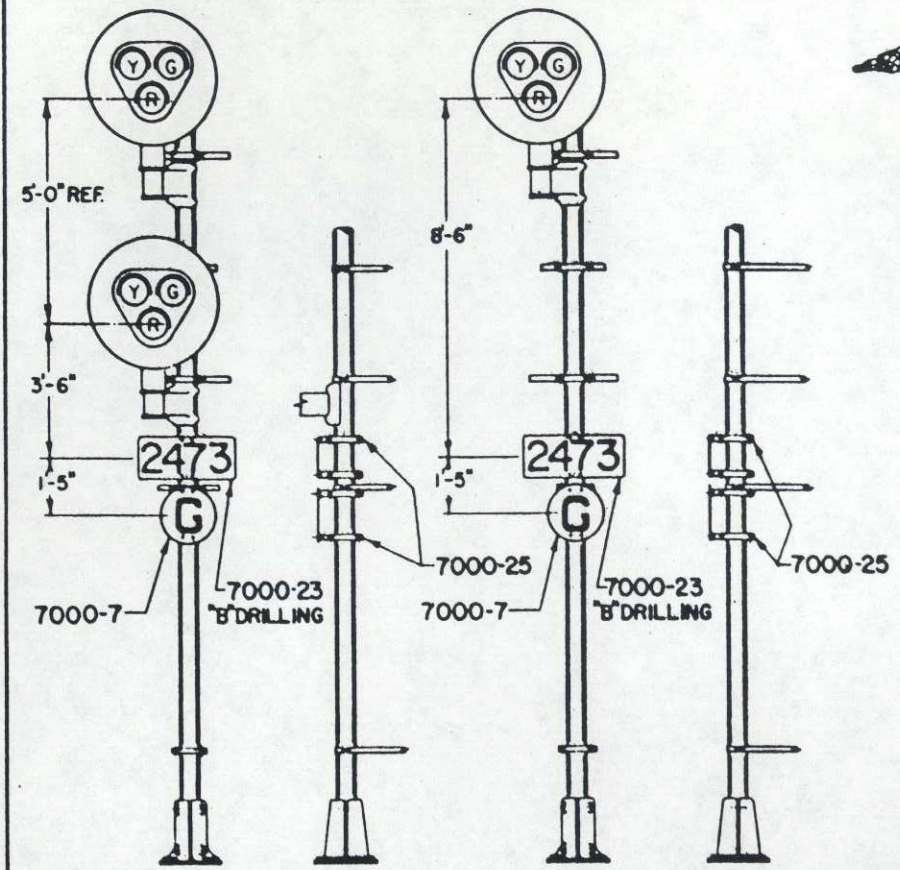
CONRAIL  **CS-7000**

STANDARD
SIGNS AND MARKERS
MOUNTING OF NUMBER PLATES, SPEED
LIMIT MARKERS, AND GRADE MARKERS
WITH POSITION LIGHT SIGNALS
OCT. 28, 1978

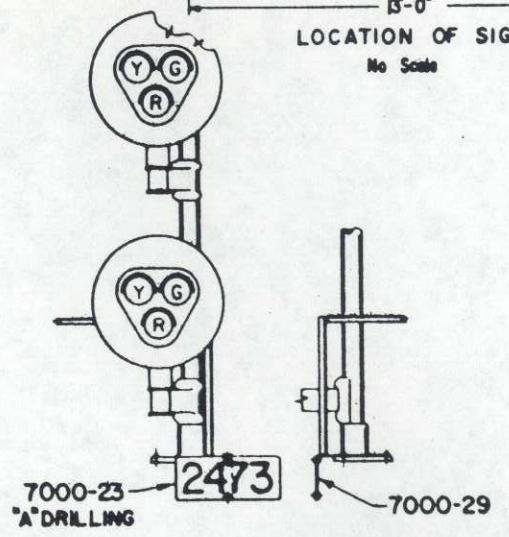
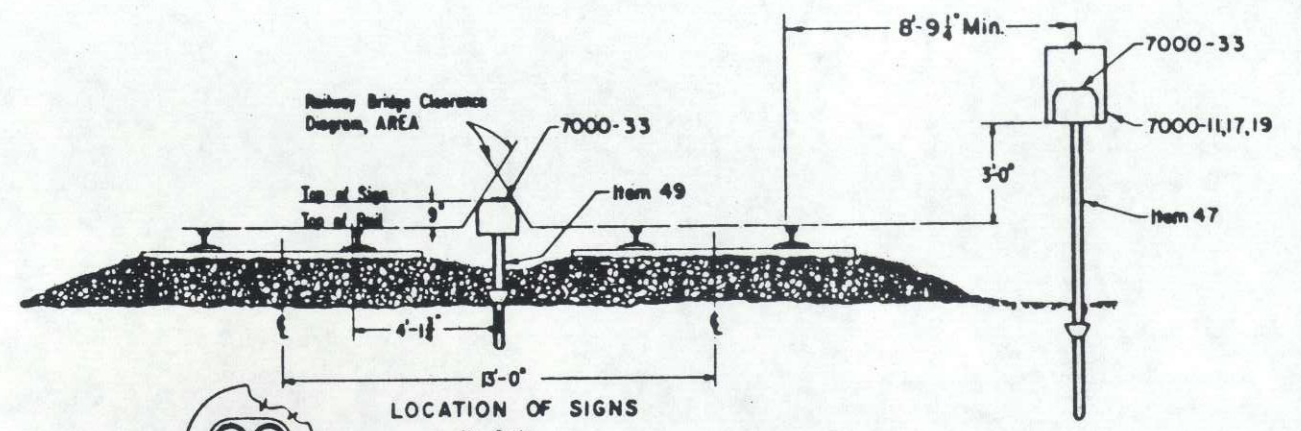
Revision A 12-4-80 added 7000-13 approach sign, changed view to show 7000-13 as square type stop sign. Added R-Y-G to color light units. Revision B 6-1-83 added color light dwarf signal. Rev C - 10-31-85 removed location of signs. Rev D - 11-21-86 added location of signs.



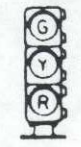
NUMBER PLATE MOUNTING FOR BACK TO BACK SIGNAL LOCATIONS



GROUND MAST MOUNTINGS



BRACKET MAST MOUNTING



COLOR LIGHT DWARF

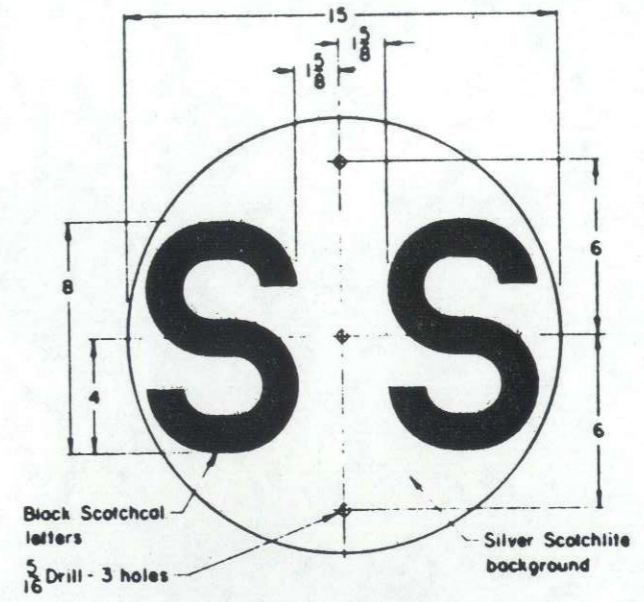
SEE SHEET 2 FOR ACCOUNT REFERENCE NUMBERS
SEE NOTES ON SHEET 1

SHEET 8
CONT'D ON SH 9

CONRAIL  **CS-7000-D**

STANDARD
SIGNS AND MARKERS
LOCATION OF SIGNS & POSITION OF COLORED LENSES
MOUNTING OF NUMBER PLATES, AND GRADE
MARKERS WITH STYLE G COLOR LIGHT SIGNALS
OCT. 28, 1976

Rev. No. 21, 1985



SPRING SWITCH MARKER 7000-22

Sign to be double faced Letters must be condensed per MOW plan 78010 Letters are separated sufficiently so that standard signpost may be used for mounting See sheet 8

SEE NOTES ON SHEET 1

SHEET 10
CONT'D ON SH 11

CONRAIL  CS-7000-A

STANDARD
SIGNS AND MARKERS
SPRING SWITCH MARKER

FEB 19, 1980

Revised 11-4-85

72