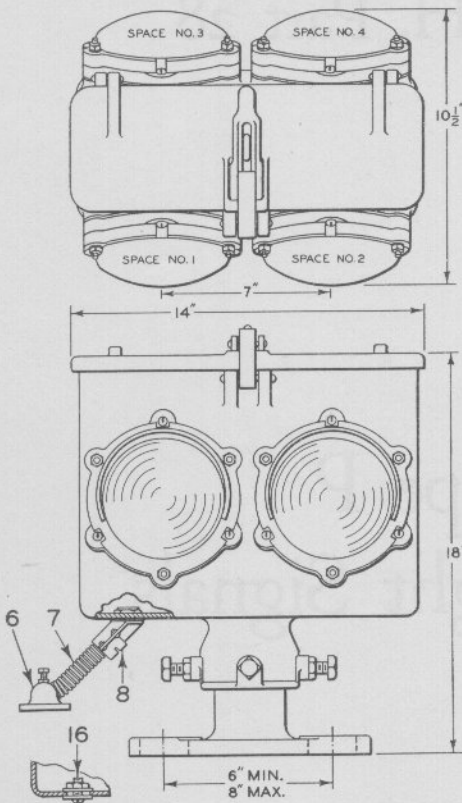
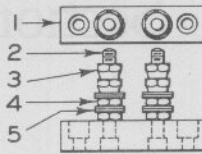


Section H, Part 28

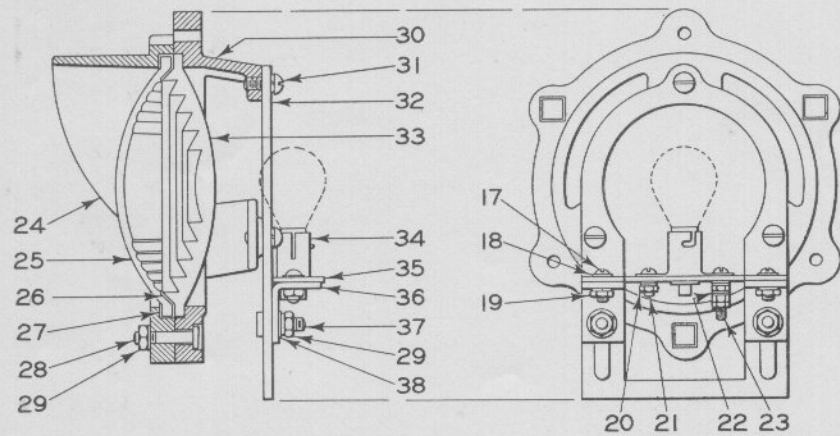
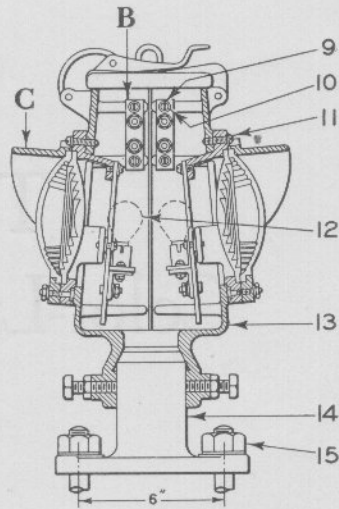
Type P  
Color-Light Signals



A - Signal Unit



B



C - Lens Unit

Type P Color-Light Switch Signal

## Type P Color-Light Switch Signal

NOTE: Lamps Fig. 12 and anchor bolts Fig. 15 are not furnished with signal units complete and must be ordered separately.

Drawing references are shown for convenience in checking shipping lists and invoices.

Fig. No.	Name	Drawing Reference
<b>Order by plate, figure number and name</b>		
A	Type P Color-Light Switch Signal Complete, two-indication, two direction, equipped to give a red and green color indication. Specify by numbers shown on drawing, space in which each color is to be used. Signal has 5 $\frac{3}{8}$ " dia. roundels and inverted lenses. Includes base Fig. 14 and conduit connection to trunking. Lamps Fig. 12 and anchor bolts Fig. 15 are not included and must be ordered separately. . . . .	<div style="display: flex; align-items: center;"> <div style="margin-right: 10px;">36722-28 Gr. 1</div> <div style="font-size: 2em;">}</div> </div> <div style="display: flex; align-items: center;"> <div style="margin-right: 10px;">44515-1</div> <div style="font-size: 2em;">}</div> </div>
A1	as above, except equipped to give a lunar white and yellow color indication. . . . .	<div style="display: flex; align-items: center;"> <div style="margin-right: 10px;">36722-28 Gr. 2</div> <div style="font-size: 2em;">}</div> </div> <div style="display: flex; align-items: center;"> <div style="margin-right: 10px;">44515-1</div> <div style="font-size: 2em;">}</div> </div>
A2	same as Fig. A, except equipped to give a color indication as specified. . . . .	<div style="display: flex; align-items: center;"> <div style="margin-right: 10px;">36722-28</div> <div style="font-size: 2em;">}</div> </div> <div style="display: flex; align-items: center;"> <div style="margin-right: 10px;">44515-1</div> <div style="font-size: 2em;">}</div> </div>
B	Terminal Block Complete for Fig. A. Four required. . . . .	52084 Gr. 3
C	Lens Unit Complete, as shown. Roundel, red 5 $\frac{3}{8}$ " in diameter, gives 20° deflection. Inner lens, clear, 5 $\frac{3}{8}$ " in diameter. Lamp bulb is not included and must be ordered separately. . . . .	36762-9 Gr. 1
C1	as above, except equipped with green roundel. . . . .	36762-9 Gr. 2
C2	same as Fig. C except equipped with yellow roundel. . . . .	36762-9 Gr. 3
C3	same as Fig. C except equipped with lunar white roundel. . . . .	36762-9 Gr. 4
1	Terminal Block, only, for Fig. B. . . . .	47508-10
2	Screw, No. 14-24 x 1 $\frac{7}{8}$ " sq. hd., used as terminal post. . . . .	350-6
3	Nut, No. 14-24 x $\frac{5}{16}$ " th., hex. for terminal post. . . . .	42843-1
4	Nut, No. 14-24 x $\frac{3}{16}$ " th. hex., for terminal post. . . . .	42839-1
5	Washer, for terminal post. . . . .	1225-2
6	Conduit Coupling, $\frac{3}{4}$ ", for trunking. . . . .	45688-11
7	Conduit, $\frac{3}{4}$ " single strip, length as specified. . . . .	43368-5
8	Coupling Complete, 45°, for $\frac{3}{4}$ " conduit. . . . .	44515-1
9	Screw, No. 14-24 x $\frac{7}{8}$ " fil. hd., with lock washer, for fastening terminal block in case. . . . .	<div style="display: flex; align-items: center;"> <div style="margin-right: 10px;">0504-2</div> <div style="font-size: 2em;">}</div> </div> <div style="display: flex; align-items: center;"> <div style="margin-right: 10px;">0510</div> <div style="font-size: 2em;">}</div> </div>
10	Insulating Washer, for terminal block. . . . .	51041-5

(Continued on following page)

# Type P Color-Light Switch Signal

Drawing references are shown for convenience in checking shipping lists and invoices.

Fig. No.	Name	Drawing Reference
<b>Order by plate, figure number and name</b>		
11	Screw, No. 14-24 x $\frac{7}{8}$ " rd. hd., with lock washer, for fastening lens unit to case. . . . .	{ 0658 0510
12	Electric Lamp Bulb, 11.3 V, 12.4 W, single filament, S-8 bulb, single contact, candelabra bayonet two-pin base. Above is recommended lamp for this signal. Lamps of lower voltage rating may be furnished when specified. . . . .	34866-32
13	Case Complete, includes screws for fastening to base. . . . .	27470-5 Gr. 1
14	Base, as shown. . . . .	21211-4
15	Anchor Bolt, $\frac{3}{4}$ ", with hex. nut. Specify length of bolt required. . . . .	
16	Screw, No. 14-24 x $\frac{1}{2}$ " rd. hd., with hex. nut and two washers used for plugging opening for coupling Fig. 8. . . . .	{ 21029 48569 47845
17	Screw, No. 10-32 x $\frac{1}{2}$ " rd. hd., for fastening plate Fig. 35 to bracket. . . . .	2438-1
18	Washer, for screw Fig. 17. . . . .	40791
19	Nut, No. 10-32 x $\frac{1}{8}$ " th., hex., with lock washer, for screw Fig. 17. . . . .	{ 577-2 0622
20	Nut, No. 8-32 x $\frac{1}{8}$ " th. hex., with lock washer, for screw Fig. 21. . . . .	{ 3891-1 43058
21	Screw, No. 8-32 x $\frac{1}{2}$ " rd. hd., for fastening receptacle to plate. . . . .	3827-2
22	Washer, for screw Fig. 23. . . . .	2534-1
23	Screw, No. 8-32 x $\frac{7}{8}$ " rd. hd., used as terminal post for receptacle. . . . .	29537-1
24	Outer Bezel Ring, as shown. . . . .	43983-20
25	Roundel, $5\frac{3}{8}$ " diameter, red, 20° deflecting. . . . .	9238-33
25a	as above, except green. . . . .	9238-35
25b	same as Fig. 25, except yellow. . . . .	9238-34
25c	same as Fig. 25 except lunar white. . . . .	9238-37
26	Felt, $\frac{1}{4}$ " x $\frac{1}{4}$ " x $1\frac{1}{2}$ " long, four pieces required for roundel. . . . .	
27	Gasket, rubber, for roundel. . . . .	13014-46
28	Screw, No. 14-24 x $1\frac{1}{2}$ " sq. hd., for fastening ring Fig. 30 to outer bezel ring. . . . .	3034-5
29	Nut, No. 14-24 x $\frac{3}{16}$ " hex., for screws Figs. 28 and 37. . . . .	42839

(Continued on following page)

June 1938

GENERAL RAILWAY SIGNAL COMPANY

Type P Color-Light Switch Signal

Drawing references are shown for convenience in checking shipping lists and invoices.

Fig. No.	Name	Drawing Reference
<b>Order by plate, figure number and name</b>		
30	Ring, as shown . . . . .	43983-21
31	Screw, No. 14-24 x $\frac{5}{8}$ " rd. hd., with lock washer, for fastening inner bezel ring to ring, Fig. 30 . . . . .	1411-7 0510
32	Inner Bezel Ring, as shown . . . . .	43983-5
33	Lens, clear, $5\frac{3}{8}$ " dia., inverted, $2\frac{1}{4}$ " focus . . . . .	47585-3
34	Receptacle, single contact, bayonet candelabra, for lamp . . . . .	34864-6
35	Plate, for supporting lamp receptacle . . . . .	45955-8
36	Bracket, for plate, Fig. 35 . . . . .	49092-6
37	Screw, No. 14-24 x $\frac{3}{4}$ " sq. hd., for fastening bracket to inner bezel ring . . . . .	3034-3
38	Washer, for screw Fig. 37 . . . . .	1225-2