



An American-Standard Company

ZCG UTILITY SCRAP
UNION MO 63084

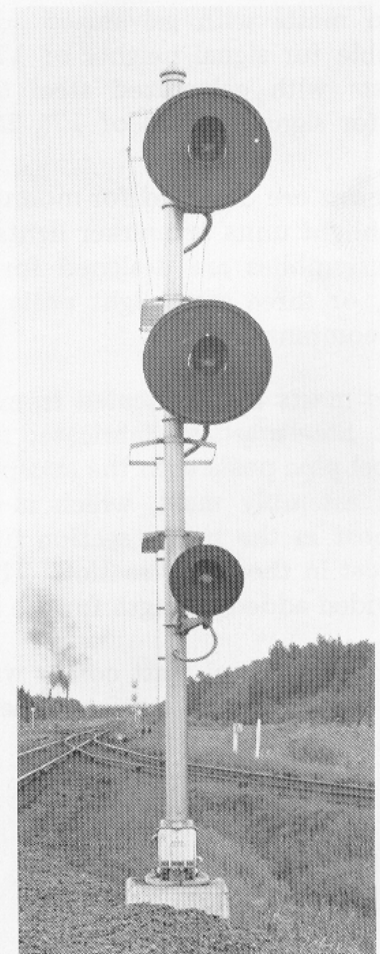
MAINLINE COLOR LIGHT SIGNAL ASSEMBLIES

SEARCHLIGHT & MARKER LIGHT SIGNAL UNITS

WABCO's Mainline Color Light Signal Assemblies, utilizing the popular H-2 Searchlight Unit and/or HC-33 Marker Light Unit, are available to suit most standard applications. These signal assemblies are available in 14', 17', 22', and 27' heights, with 1, 2 or 3 light units. All components and masts are pre-drilled enabling quick and easy erection.

Time-honored WABCO quality is your assurance of a reliable and efficient mainline signal assembly that will provide years of trouble-free operation.

For Mainline Color Light Signal Assemblies utilizing WABCO's R-2 Color Light Units, refer to catalog section RSE-2B2.



UNION SWITCH & SIGNAL DIVISION
WESTINGHOUSE AIR BRAKE COMPANY
Swissvale, PA 15218

RSE-2B1
6/77

INTRODUCTION

The standard signal assemblies shown in this catalog section have been arranged to provide maximum ease and flexibility in ordering. Each signal assembly consists of (1) Aluminum or steel Mast and Ladder Assembly; (2) H-2 Searchlight Signal Unit and/or H-33 Marker Light Signal Unit; and (3) Standard Installation Material.

Because of the many possible combinations, signal light units are listed in separate catalog sections for quick and easy reference and ordering. Included in these sections are optional items, hoods, backgrounds, and material required to mount and install the specific light unit. The mast and ladder required for a specific installation is covered in this catalog section.

MAST AND LADDER ASSEMBLY

Aluminum masts with galvanized steel ladders are available for signal heights of 17' and 22'. Steel masts with galvanized steel ladders are available for signal heights of 17', 22' and 27'.

The 17' masts are designed for mounting one or two searchlight units or marker lights. The 22' and 27' assemblies are designed for mounting one, two, or three searchlight units or marker light unit combinations.

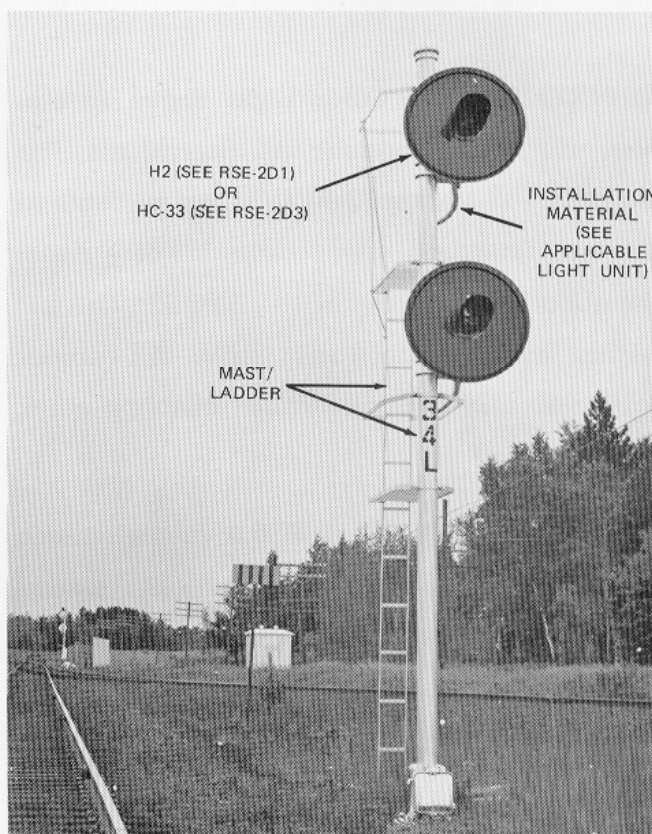
Aluminum masts are fabricated from 6" aluminum pipe. Steel masts are fabricated from standard 5" steel pipe posts with the exception of the 27' signal assembly mast, which is a standard 5" pipe post in the upper section fitted into a 6" pipe post in the lower section. This arrangement provided added strength for the height.

The aluminum or steel mast comes with a junction box base. Base mounting dimensions are shown in the illustration on page 3.

The galvanized steel ladder assemblies consist of ladder sections, platforms, hand rail, ladder stays, and if specified, foundation piers. Ladder assemblies illustrated on page 6 and 8 show 3 signal units with related ladder platforms. If less than 3 signal units are to be supplied, a ladder stay is furnished in place of a platform.

SIGNAL UNITS

The aluminum signal units used with the assemblies shown in this Catalog Section are the popular WABCO H-2 Searchlight Signal Unit, and the HC-33 Marker Light. The HC-33 Marker Light may be used in place of any of the searchlight units for single indication units. Refer to applicable catalog section for detailed information on the signal light units.



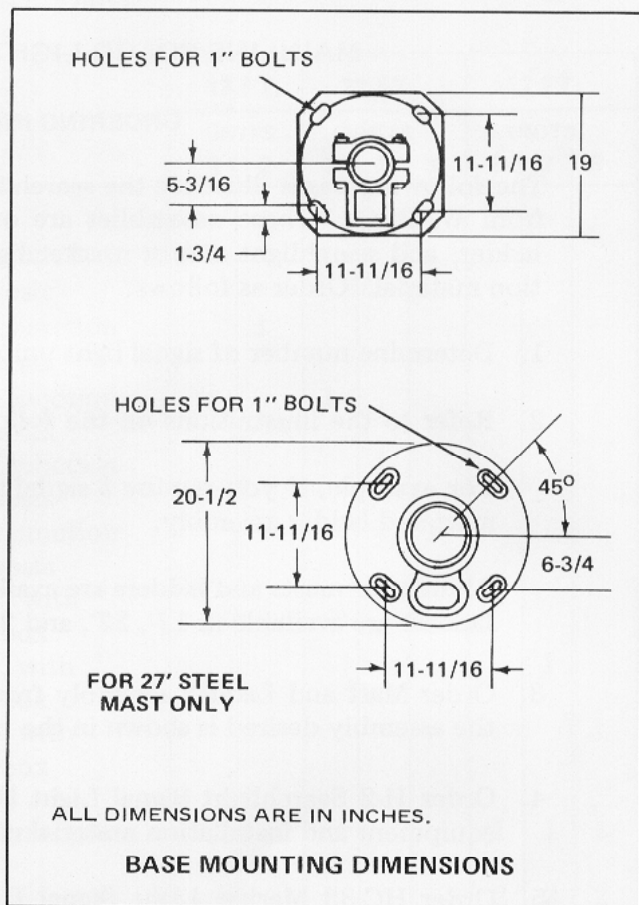
ZCG UTILITY SCRAP
UNION MO 63084

MOUNTING HARDWARE AND INSTALLATION MATERIAL

Mounting hardware and installation material, e.g., mounting brackets, clamps, etc. apply to the specific signal light unit. Description and details of these items are contained in the catalog section for that unit. Refer to applicable catalog sections for detailed information on these items.

FEATURES

- Factory-fitted components make erection easy.
- All assemblies comply with AAR and state requirements.
- Many combinations available.
- Custom ordered to suit your particular requirements.
- Mast heights to 27 feet.



**ZCG UTILITY SCRAP
UNION MO 63084**

MAINLINE COLOR LIGHT SIGNAL ASSEMBLIES

ORDERING INFORMATION

The following pages illustrate the searchlight and marker light signal assemblies available from WABCO. These assemblies are ordered by individually ordering the mast and ladder, and searchlight and/or marker light units with mounting hardware and installation material. Order as follows:

1. Determine number of signal light units required.
2. Refer to the illustrations on the following pages and select height of mast required.

For example, if you require 3 signal light units, you must order either the 22' or 27' mast and ladder assembly.

Aluminum masts and ladders are available in 17' and 22' heights only; steel mast and ladders are available in 17', 22', and 27' heights.

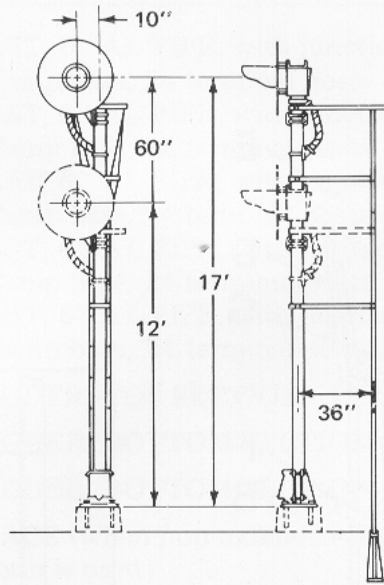
3. Order Mast and Ladder assembly from this catalog section. Quantities required for the assembly desired is shown in the tabulation following.
4. Order H-2 Searchlight Signal Light Units from catalog section RSE-2D1. Optional equipment and installation material can also be found in this section.
5. Order HC-33 Marker Light Signal Unit from catalog section RSE-2D3. Optional equipment and installation material can also be found in this section.

NOTES: If the Signal Light Assembly desired cannot be obtained from the standard assemblies, consult your nearest WABCO representative for additional information.

For Ordering Information on Mainline Color Light Signal Assemblies using R-2 Color Light Signal Units, refer to Catalog Section RSE-2B2.

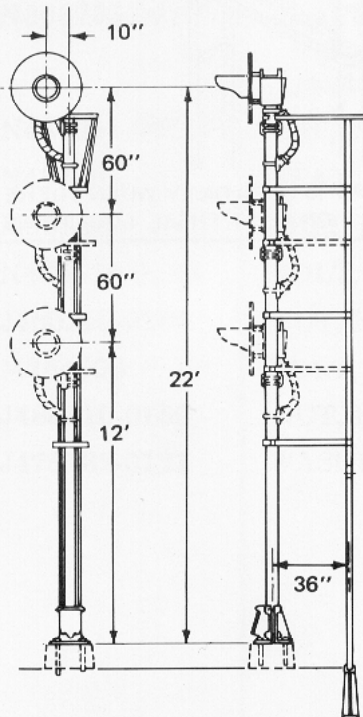
ZCG UTILITY SCRAP
UNION MO 63084

STANDARD MAINLINE COLOR LIGHT SIGNAL ASSEMBLIES

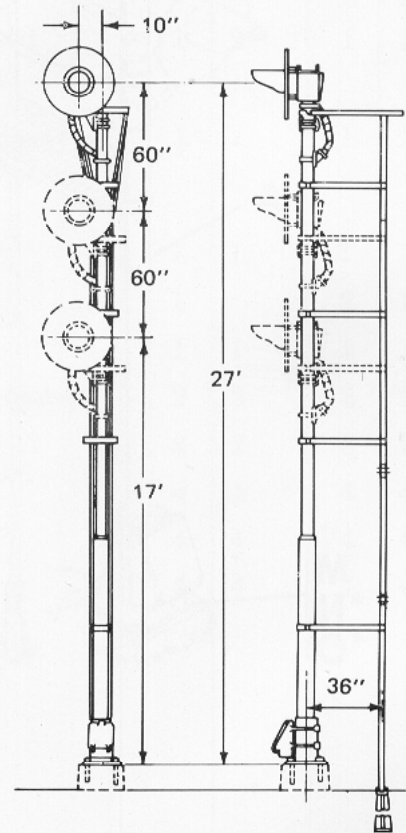


ZCG UTILITY SCRAP
UNION MO 63084

17' MAINLINE COLOR LIGHT
SIGNAL ASSEMBLY – 1 OR 2 UNITS.



22' MAINLINE COLOR LIGHT
SIGNAL ASSEMBLY – 1, 2 OR 3 UNITS.



27' MAINLINE COLOR LIGHT
SIGNAL ASSEMBLY – 1, 2 OR 3 UNITS.

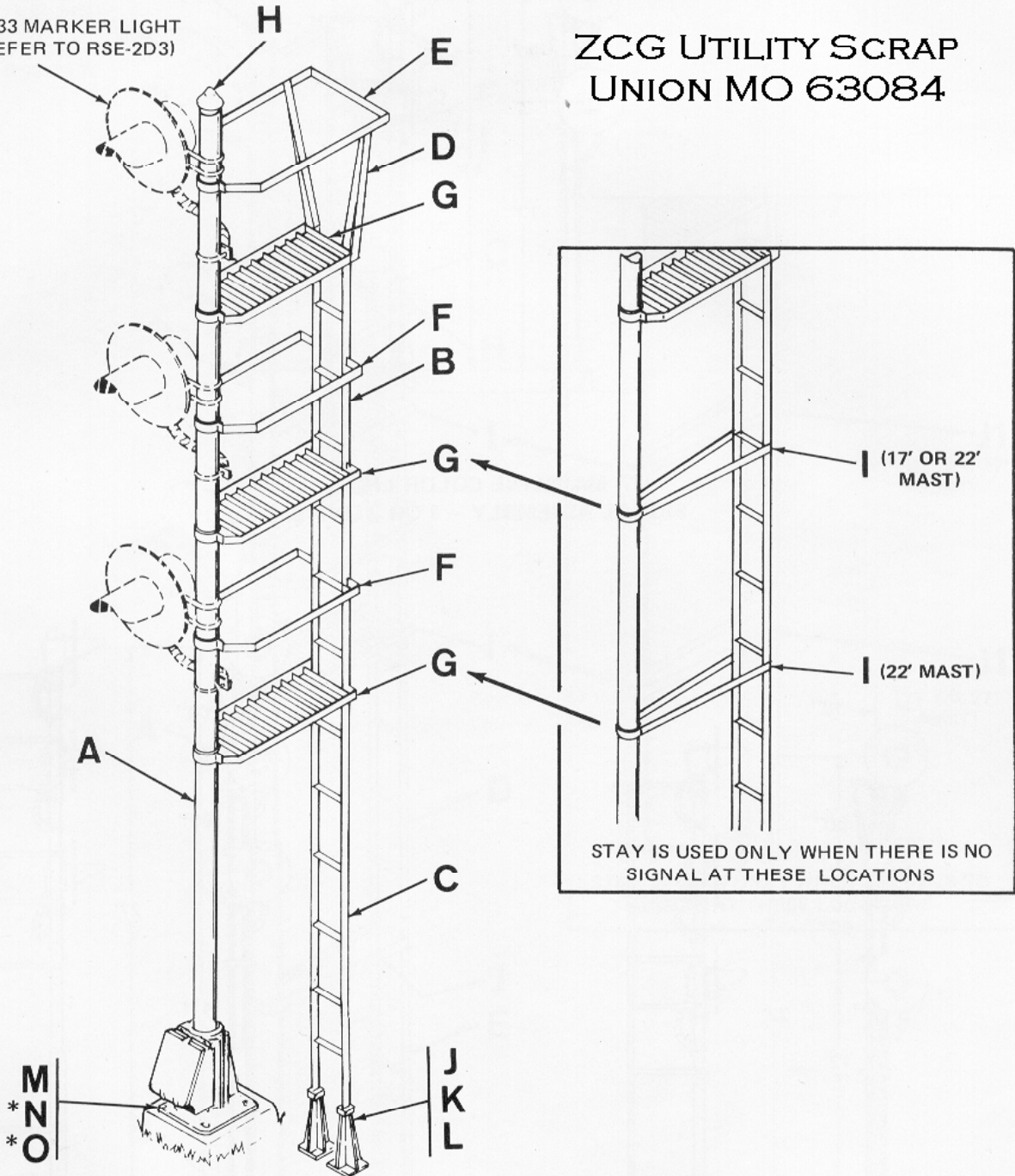
TYPICAL 3-UNIT, 22 FT. SIGNAL ASSEMBLY

(ALUMINUM MAST)

H-2 SEARCHLIGHT
(REFER TO RSE-2D1)

HC-33 MARKER LIGHT
(REFER TO RSE-2D3)

ZCG UTILITY SCRAP
UNION MO 63084



*OPTIONAL, SUPPLIED ONLY WHEN SPECIFIED

ALUMINUM MASTS AND LADDERS

REF.	PART NO.	DESCRIPTION	17 FT.		22 FT.		
			UNITS		UNITS		
			1	2	1	2	3
A	N451394-1001	MAST, 6" AL PIPE, with junction box clamp base, 24 terminal posts	1				
A1	N451394-1101	MAST, 6" AL PIPE, with junction box clamp base, 24 terminal posts		1			
A2	N451394-1301	MAST, 6" AL PIPE, with junction box clamp base, 24 terminal posts			1		
A3	N451394-1201	MAST, 6" AL PIPE, with junction box clamp base, 24 terminal posts				1	
A4	N451394-1801	MAST, 6" AL PIPE, with junction box clamp base, 24 terminal posts					1
B	N377906-001	LADDER, TOP SECTION	1	1	1	1	1
C	N377872-001	LADDER, BOTTOM SECTION	1	1			
C1	N377876-001	LADDER, BOTTOM SECTION			1	1	1
D	N377932-001	BRACE (when non-extended top platform is used)	2	2	2	2	2
D1	N377930-001	BRACE (when extended top platform is used)	2	2	2	2	2
E	N451438-0201	HANDRAIL, TOP	1	1	1	1	1
F	N451438-0301	HANDRAIL, BOTTOM		1		1	2
G	N128490-001	PLATFORM (non-extended—used when signal units are mounted side of mast)	1	2	1	2	3
G1	N303733-001	PLATFORM (extended—used when signal units are mounted front of mast)	1	2	1	2	3
H	N437391-001	CAP, PIPE	1	1	1	1	1
I	N434461	STAY, LADDER	1		2	1	
J	M062563	PIER, LADDER	1	1	1	1	1
K	N466076-0120	BOLT, HEX HD, 1/2" x 1-1/4" (galv)	2	2	2	2	2
L	J480210-0105	NUT, HEX 1/2" (galv)	2	2	2	2	2
*M	M254806	BOLT, FDN, 1" x 24" (galv.)	4	4	4	4	4
*N	J480210-0159	NUT, HEX, 1" (galv.)	4	4	4	4	4
*O	J475132-0121	WASHER, 1" stl. pl. (galv.)	4	4	4	4	4

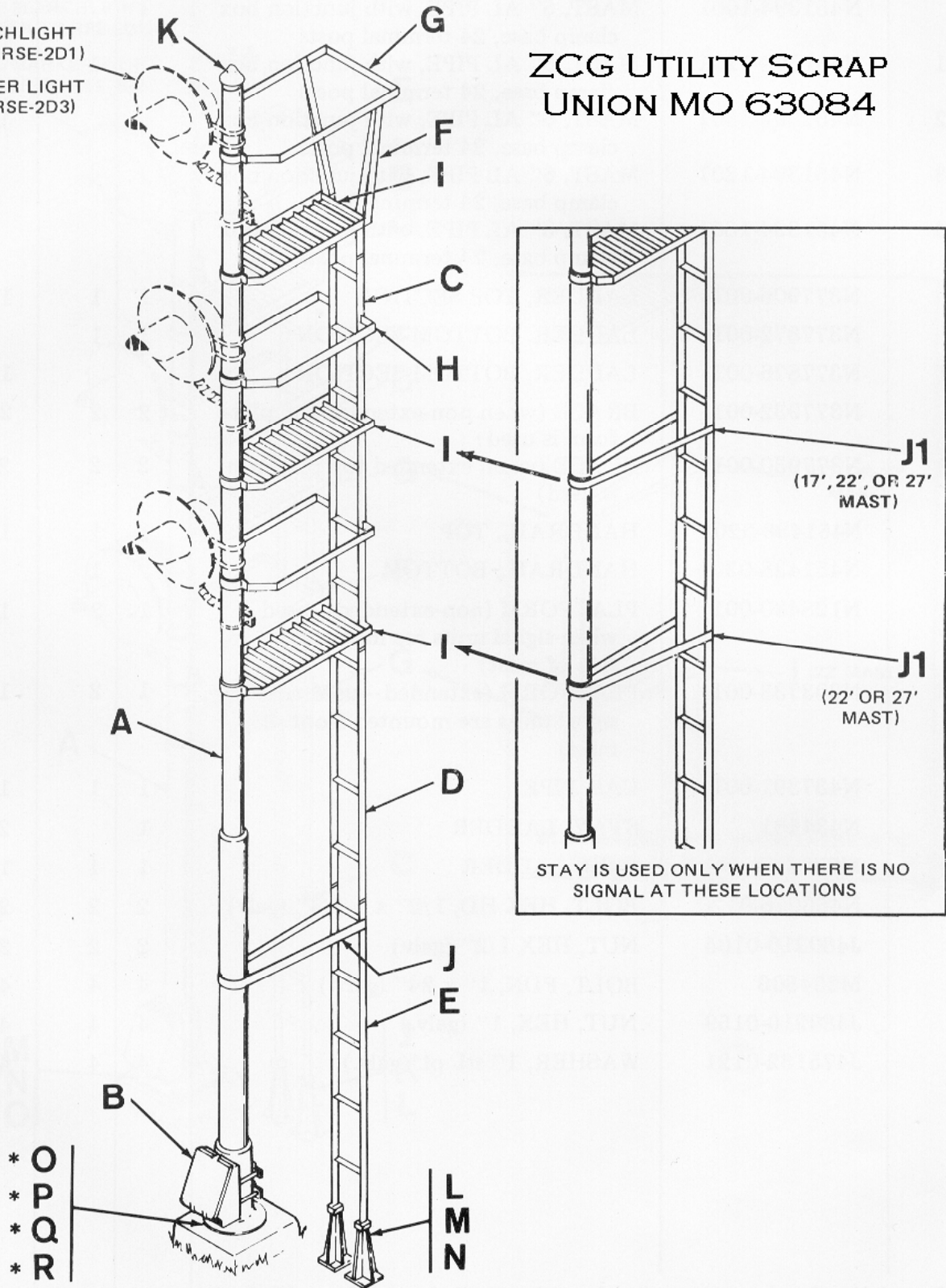
*Foundation hardware is optional and is supplied only if specified on the order.

TYPICAL 3-UNIT, 27 FT. SIGNAL ASSEMBLY

(STEEL MAST)

H-2 SEARCHLIGHT
(REFER TO RSE-2D1)
HC-33 MARKER LIGHT
(REFER TO RSE-2D3)

ZCG UTILITY SCRAP
UNION MO 63084



*OPTIONAL, SUPPLIED ONLY WHEN SPECIFIED.

STEEL MASTS AND LADDERS

REF.	PART NO.	DESCRIPTION	17 FT.		22 FT.			27 FT.		
			UNITS		UNITS			UNITS		
			1	2	1	2	3	1	2	3
A1	N377691	MAST, 5" STEEL PIPE, with junction box clamp base, 24 term. posts	1							
A2	N377693	MAST, 5" STEEL PIPE, with junction box clamp base, 24 term. posts		1						
A3	N377697	MAST, 5" STEEL PIPE, with junction box clamp base, 24 term. posts			1					
A4	N377699	MAST, 5" STEEL PIPE, with junction box clamp base, 24 term. posts				1				
A5	N377701	MAST, 5" STEEL PIPE, with junction box clamp base, 24 term. posts					1			
A6	N377703	MAST, 5" or 6" STEEL PIPE, with base arranged for junction box						1		
A7	N377705	MAST, 5" & 6" STEEL PIPE, with base arranged for junction box							1	
A8	N377707	MAST, 5" & 6" STEEL PIPE, with base arranged for junction box								1
B	N212958	JUNCTION BOX BASE, 24 term. posts, for use with A6, A7, or A8						1	1	1
B1	M104294	CLAMP, HALF						2	2	2
B2	M104873	BOLT, HOOK, 3/4"						4	4	4
B3	J048026	NUT, HEX 3/4" (cad. pl. C.L.)						4	4	4
C	N377906	LADDER, TOP SECTION	1	1	1	1	1	1	1	1
D	N377874	LADDER, MIDDLE SECTION						1	1	1
E	N377872	LADDER, BOTTOM SECTION	1	1						
E1	N377876	LADDER, BOTTOM SECTION			1	1	1	1	1	1
F	N377932	BRACE (when non-extended top platform is used)	2	2	2	2	2	2	2	2
F1	N377930	BRACE (when extended top platform is used)	2	2	2	2	2	2	2	2
G	N377650	HANDRAIL, TOP	1	1	1	1	1	1	1	1
H	N377653	HANDRAIL, BOTTOM AND MIDDLE		1	1	1	2		1	2
<p>ZCG UTILITY SCRAP UNION MO 63084</p>										

STEEL MASTS AND LADDERS

REF.	PART NO.	DESCRIPTION	17 FT.		22 FT.			27 FT.			
			UNITS		UNITS			UNITS			
			1	2	1	2	3	1	2	3	
I	N116628	PLATFORM (non-extended) (use when signal units are mounted side of mast)	1	2	1	2	3	1	2	3	
II	N220676	PLATFORM (extended) (used when signal units are mounted front of mast)	1	2	1	2	3	1	2	3	
J	N128592	STAY, LADDER						1	1	1	
J1	N128591	STAY, LADDER	1		2	1		2	1		
K	N377598	CAP, PIPE	1	1	1	1	1	1	1	1	
L	M062563	PIER, LADDER	1	1	1	1	1	1	1	1	
M	J046816	BOLT, SQ. HD., 1/2" x 1-1/4" (cad. pl.)	2	2	2	2	2	2	2	2	
N	J048013	NUT, HEX, 1/2" (cad. pl.)	2	2	2	2	2	2	2	2	
*O	M254806	BOLT, FND., 1" x 24"	4	4	4	4	4				
*P	M122296	BOLT, FND., 1" x 36"						4	4	4	
*Q	J048030	NUT, HEX, 1" (cad. pl.)	4	4	4	4	4	4	4	4	
*R	K047509	WASHER, 1" stl. plate (cad. pl.)	4	4	4	4	4	4	4	4	
<p>ZCG UTILITY SCRAP UNION MO 63084</p>											
<p>*Foundation hardware is optional and is supplied only if specified on the order.</p>											