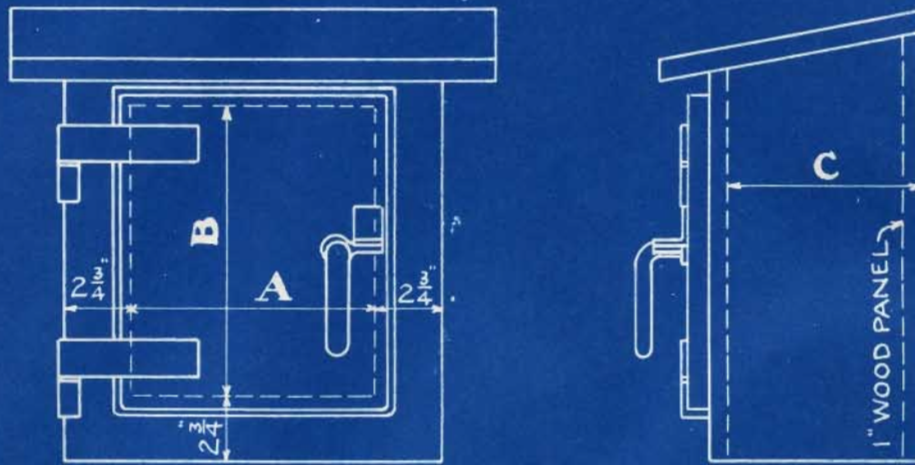


GRISWOLD SIGNAL COMPANY

MINNEAPOLIS, MINN.



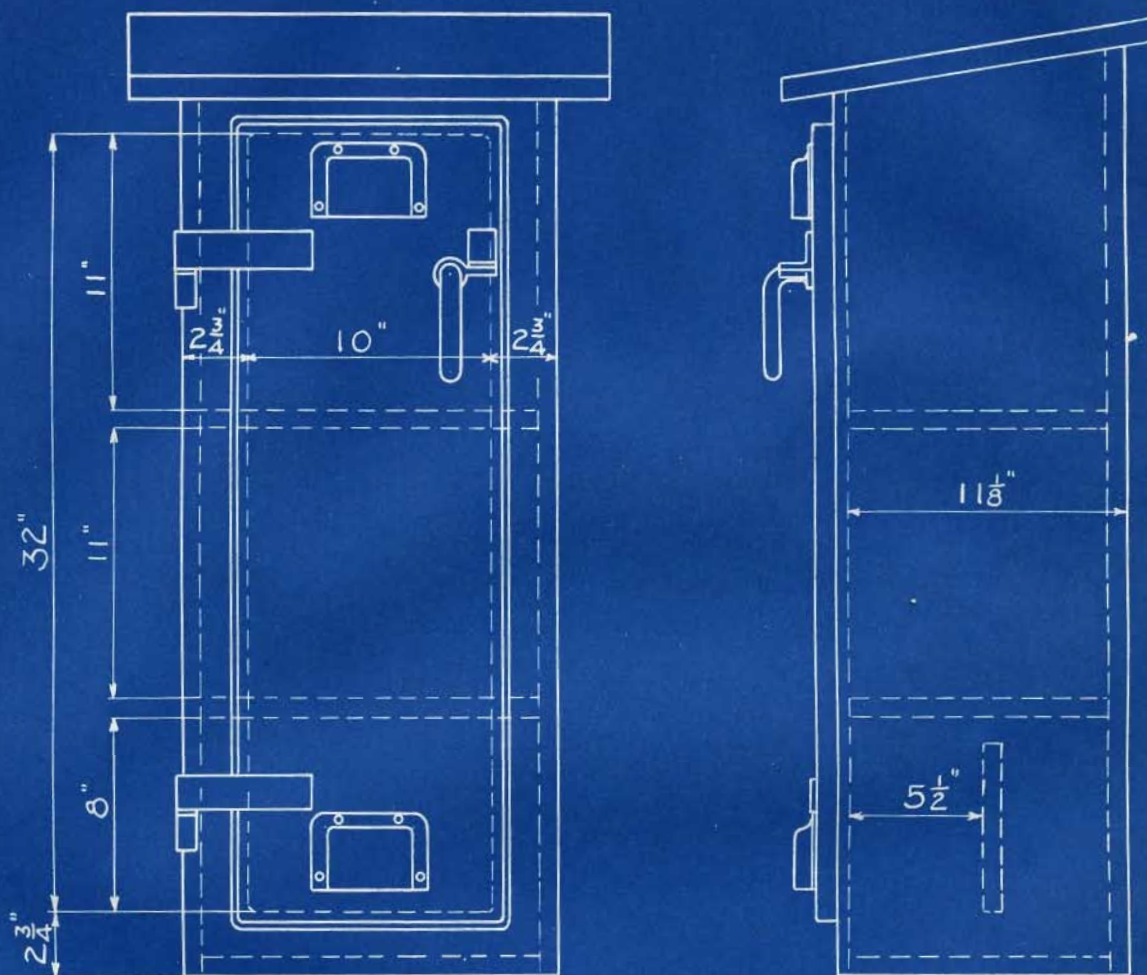
WELDED STEEL CABINET

NOTE :- INSIDE MEASUREMENTS

CABINET NUMBER	WIDTH A	LENGTH B	DEPTH C
ECIA	10"	12"	8"
ECIB	10"	18"	8"
ECIC	10"	24"	8"
ECID	10"	30"	8"

PLEASE SPECIFY

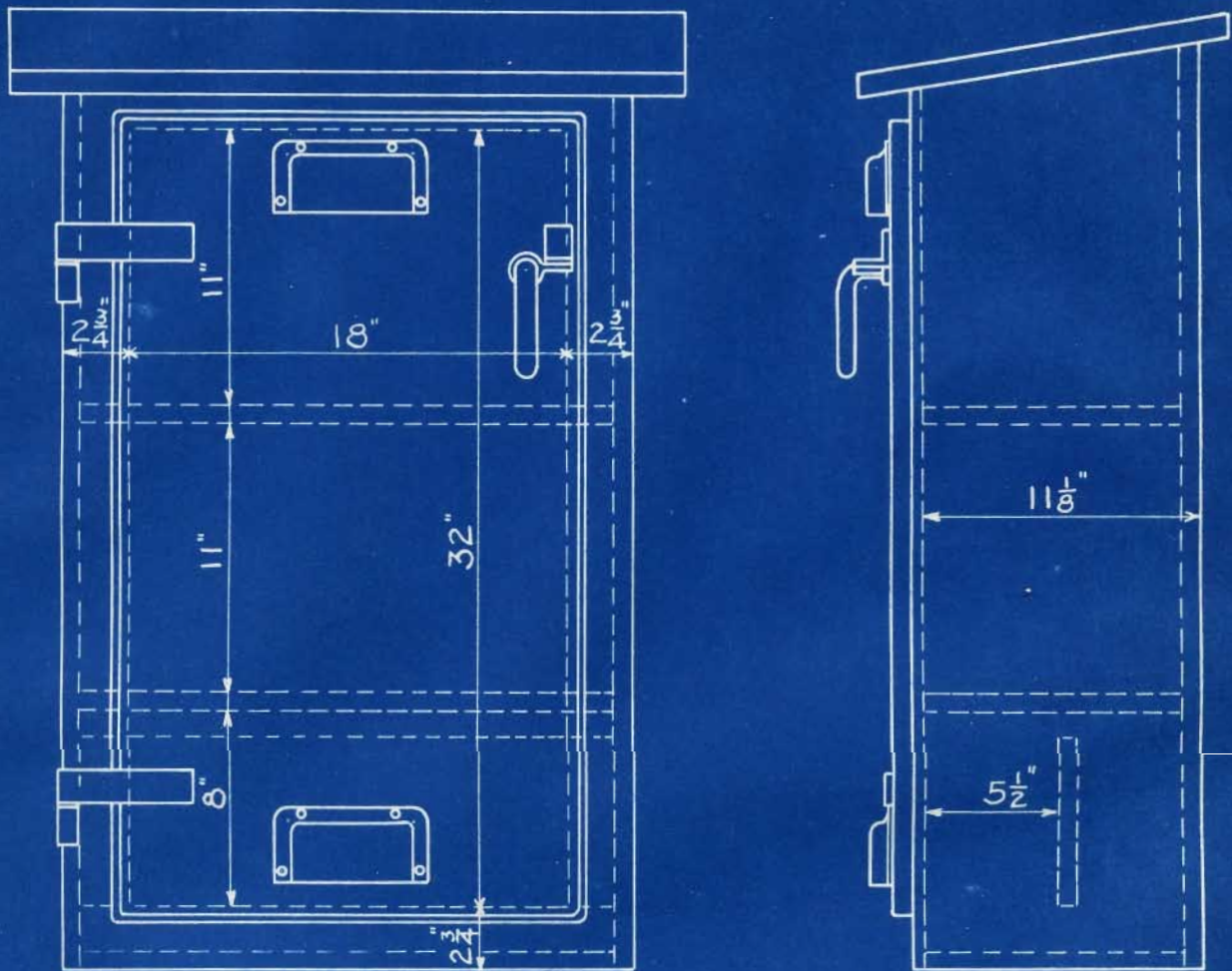
1. CABINET NUMBER
2. TYPE OF MOUNTING (SEE PLATE R5-G5)
3. SIZE OF PIPE OR POST
4. FOR WALL MOUNTING SPECIFY LENGTH OF BOLTS
5. OUTLETS
LOCATION
SIZE



2 WAY RELAY CASE
 WELDED COPPER BEARING STEEL
 NO. EC 2

PLEASE SPECIFY

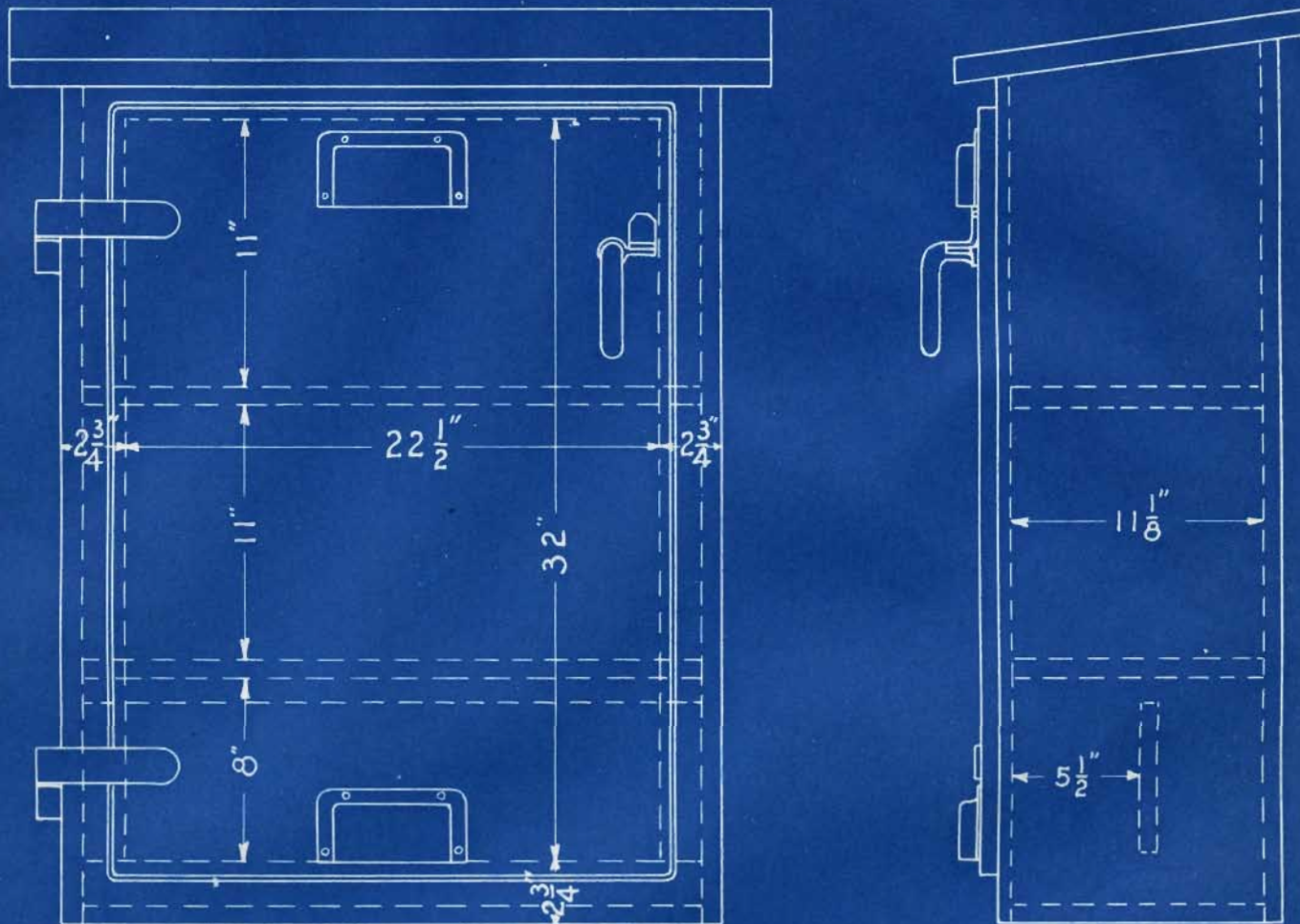
1. CABINET NUMBER
2. TYPE OF MOUNTING (SEE PLATE R5-G5)
3. SIZE OF PIPE OR POST
4. OUTLETS
 LOCATION
 SIZE



4 WAY RELAY CASE
 WELDED COPPER BEARING STEEL
 NO. EC3

PLEASE SPECIFY

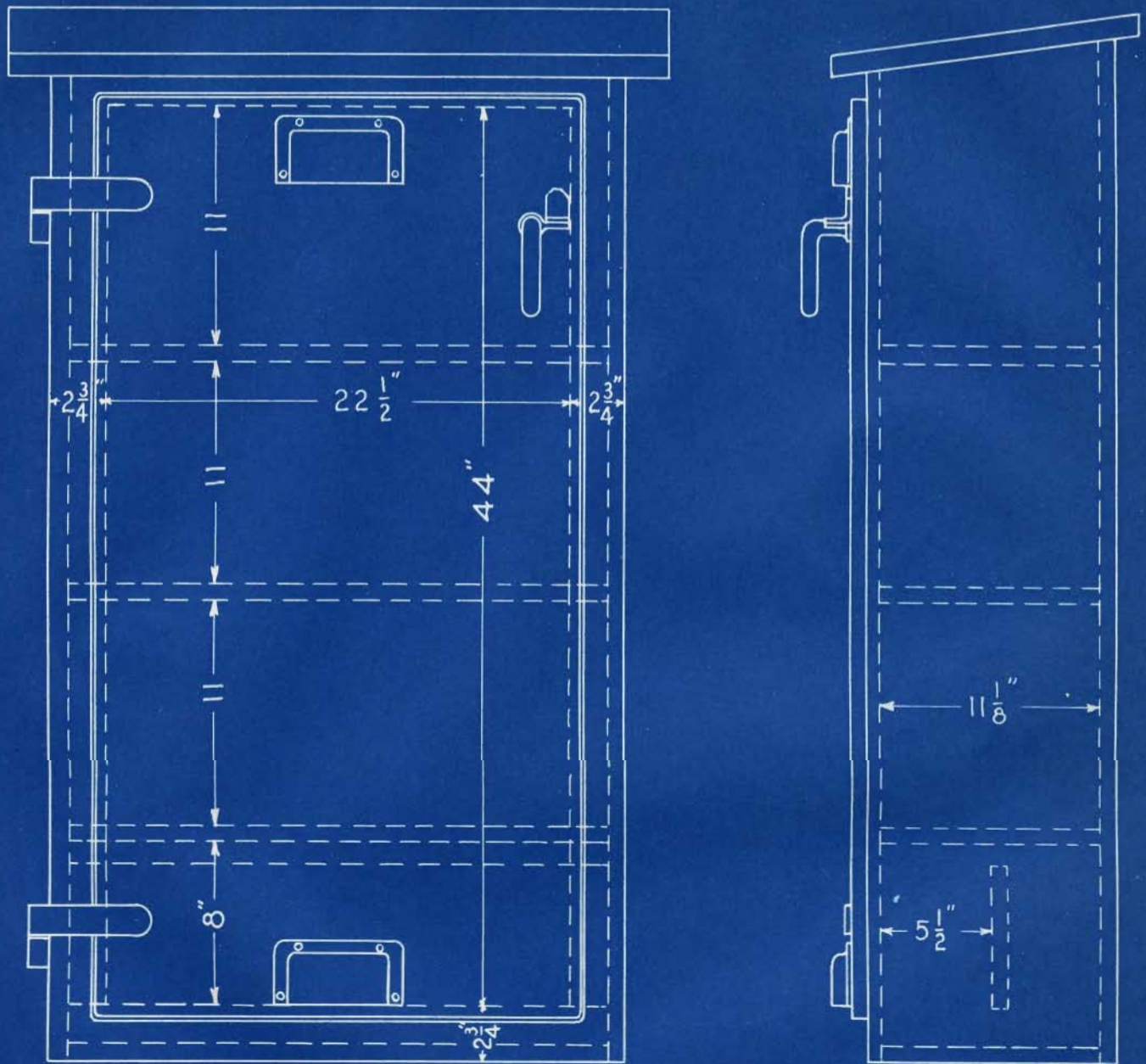
1. CABINET NUMBER
2. TYPE OF MOUNTING (SEE PLATE RS-G5)
3. SIZE OF PIPE OR POST
4. OUTLETS
 LOCATION
 SIZE



6 WAY RELAY CASE
 WELDED COPPER BEARING STEEL
 NO. EC 4

PLEASE SPECIFY

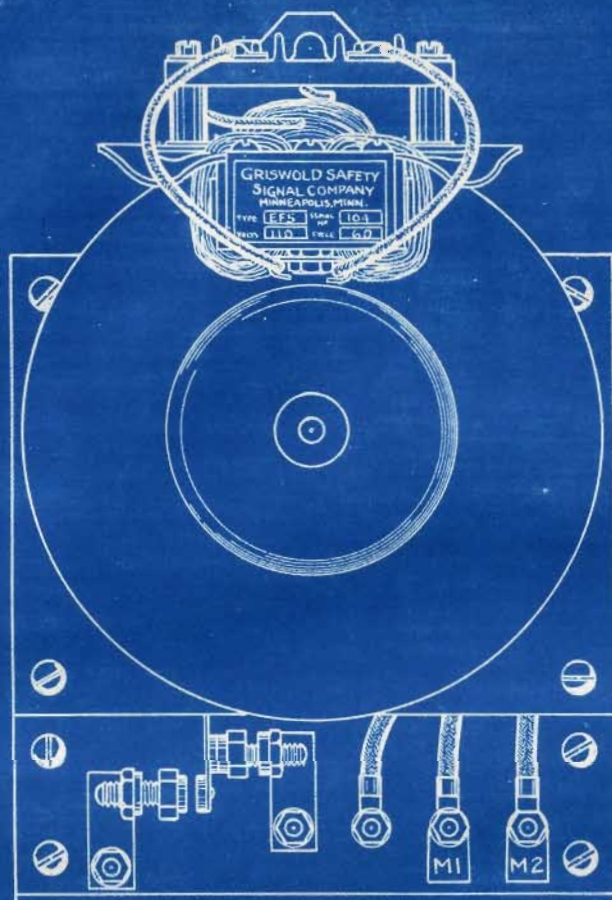
1. CABINET NUMBER
2. TYPE OF MOUNTING (SEE PLATE RS-G5)
3. SIZE OF PIPE OR POST
4. OUTLETS
 LOCATION
 SIZE



9 WAY RELAY CASE
 WELDED COPPER BEARING STEEL
 NO. EC5

PLEASE SPECIFY

1. CABINET NUMBER
2. TYPE OF MOUNTING (SEE PLATE RS-G5)
3. SIZE OF PIPE OR POST
4. OUTLETS
 LOCATION
 SIZE



TYPE EF5

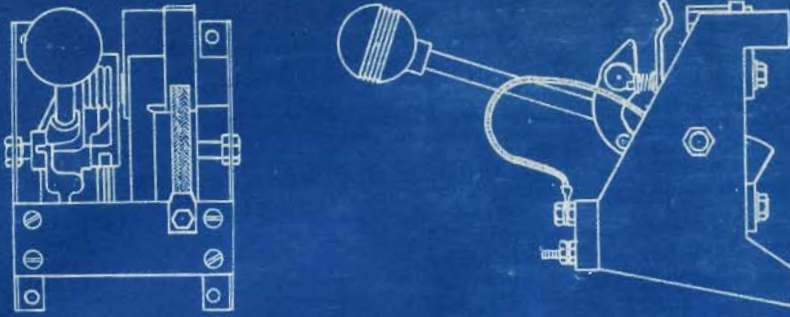
INDUCTION DISC, MOTOR DRIVEN, AC. FLASHER
 FOR ALTERNATELY FLASHING LIGHTS
 CAN BE INSTALLED INSIDE THE SIGNAL CABINET
 IF DESIRED

TYPE EF5 FLASHER PARTS LIST

PLATE EF5-2

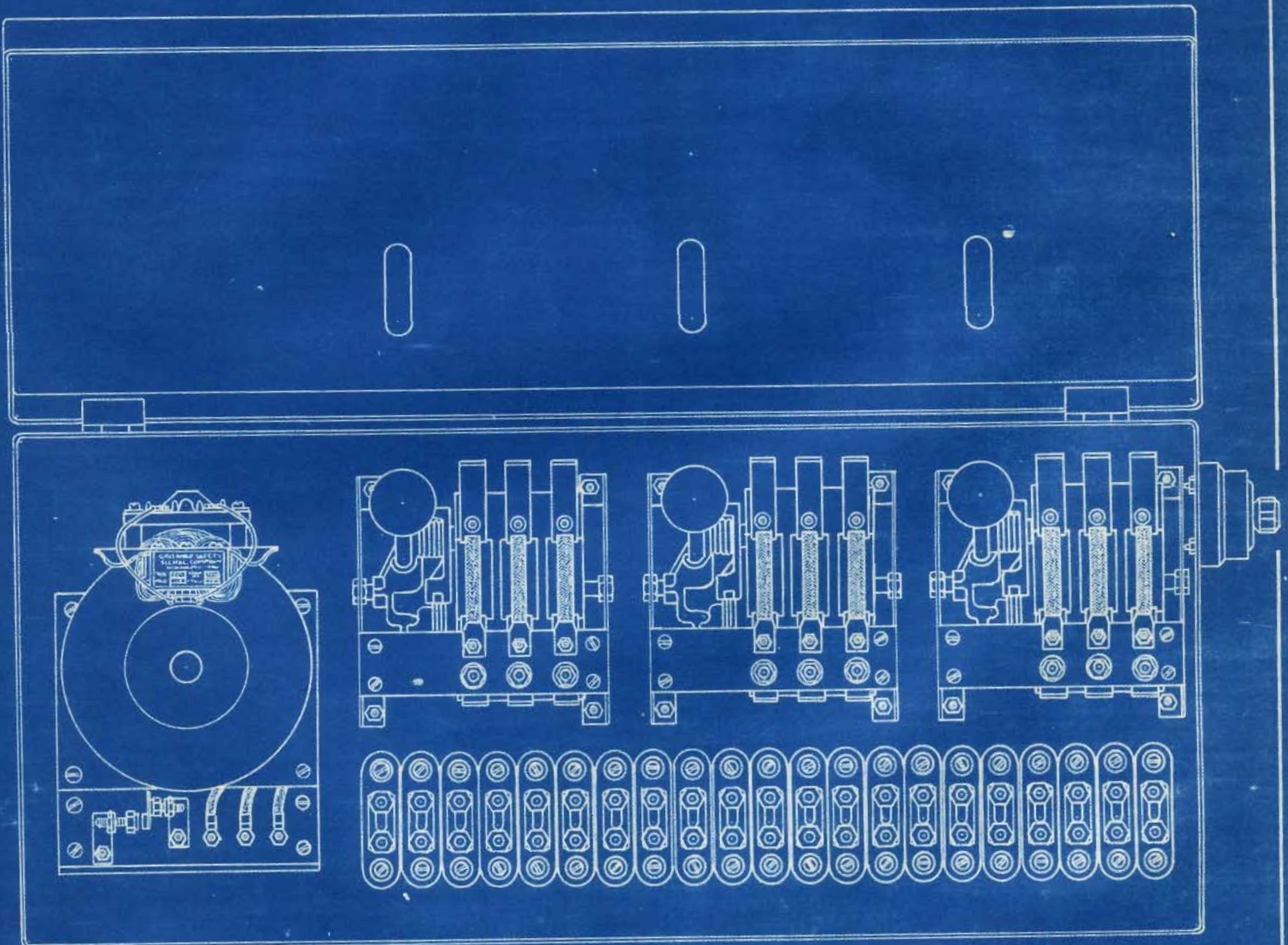
JULY 1, 1930

NO	FRONT PLATE	REQD	NO	MOTOR	REQD
EF5-A-51	FRONT PLATE ASSEMBLY, COMPLETE	1	EF5-M-51	MOTOR ASSEMBLY COMPLETE	1
A2	FRONT PLATE SCREWS	4	M1	MOTOR FRAME	1
A4	ROCKER PIVOT COTTER PIN.	1	M2	" POTENTIAL COIL WITH CORE, 110V	1
	BACK PLATE		M3	" CURRENT COIL WITH CORE, 110V	1
EF5-B-51	BACK PLATE ASSEMBLY, COMPLETE	1	M4	" DISC	1
B4	HANGER SCREWS FOR FASTENING THE FLASHER IN THE SIGNAL CABINET	3	M5	" " SET SCREW	1
B5	HANGER WOOD SCREW FOR FASTENING THE FLASHER TO A WOOD BACK	1	M6	" TERMINAL BLOCK	1
	CAM SHAFT		M7	" " " CONNECTION SCREWS	2
EF5-C-51	CAM SHAFT ASSEMBLY-COMLETE	1	M8	" " " SPACERS	2
C1	CAM SHAFT	1	M9	" " " SCREWS	2
C2	CAM	1	M10	" " " WASHERS	4
C3	CAM SET SCREW	1	M11	" LEAD WIRE 10" WITH TERMINALS	1
C4	4" GEAR	1	M12	" " " " "	1
C5	" " SET SCREW	1	M14	" HANGER BRACKET	1
C6	BALL BEARING C95	2	M15	" " " SCREWS	2
C7	" " CUP	2	M16	" SUPPORT BLOCKS	2
C8	" " COVER WITHOUT HOLE	2	M17	" " " SCREWS	2
C9	" " " SCREWS	4	M18	" NAME PLATE	1
C10	" " " NUTS	4		TERMINAL PANEL	
C11	" " WASHER	2	EF5-P-51	TERMINAL PANEL ASSEMBLY-COMLETE	1
C12	" " OILING WASHER	2	P1	TERMINAL PANEL	1
	MOTOR SHAFT		P2	" " SCREWS	4
EF5-D-51	MOTOR SHAFT ASSEMBLY COMPLETE	1	P-52	CONTACT POINT ASSEMBLY	2
D1	MOTOR SHAFT	1	P6	CONTACT SCREW BRACKET R	1
D2	SMALL GEAR	1	P7	" " " L	1
D3	BALL BEARING, BACK	1	P8	" " " SCREWS	2
D4	" " FRONT	1	P9	" " " BINDING POSTS	2
D5	BALL BEARING CUP	2	P10	" " " NUTS	2
D6	BALL BEARING COVER WITH HOLE	1	P11	" " " WASHER	2
D7	" " " WITHOUT HOLE	1	P12	LEAD BINDING POSTS	3
D8	" " " SCREWS	4	P13	" " " NUTS	6
D9	" " " NUTS	4	P14	" " " WASHERS	6
D10	" " WASHER	2	P15	" " " TAG M1	1
D11	" " OILING WASHER	2	P16	" " " TAG M2	1
	CONTACTOR		P17	" " " JUMPER	1
EF5-E-51	CONTACTOR ASSEMBLY-COMLETE	1			



MANUAL CONTROL SWITCH

DRAWING SHOWS SINGLE POLE SWITCH. CAN BE FURNISHED WITH ANY NUMBER OF POLES, A.C. OR D.C., 50AMP. CAPACITY. CAM ACTION GIVES QUICK MAKE AND BREAK. IMPOSSIBLE TO LEAVE IN HALF WAY POSITION.



MANUAL CONTROL CABINET

DRAWING SHOWS THREE, THREE-POLE SWITCHES WITH FLASHER AND SNAP SWITCH FOR CONTROLLING FLOOD LIGHTS. CABINETS CAN BE FURNISHED FOR ANY NUMBER OF SWITCHES WITH ANY VARIETY OF ARRANGEMENT ACCORDING TO YOUR SPECIFICATIONS

SELF RESTORING SWITCHES

FIG. A

2 Position
Single Pole

FIG. D

3 Position
Single Pole

FIG. G

3 Position
Double Pole

FIG. J

3 Position
Double Pole

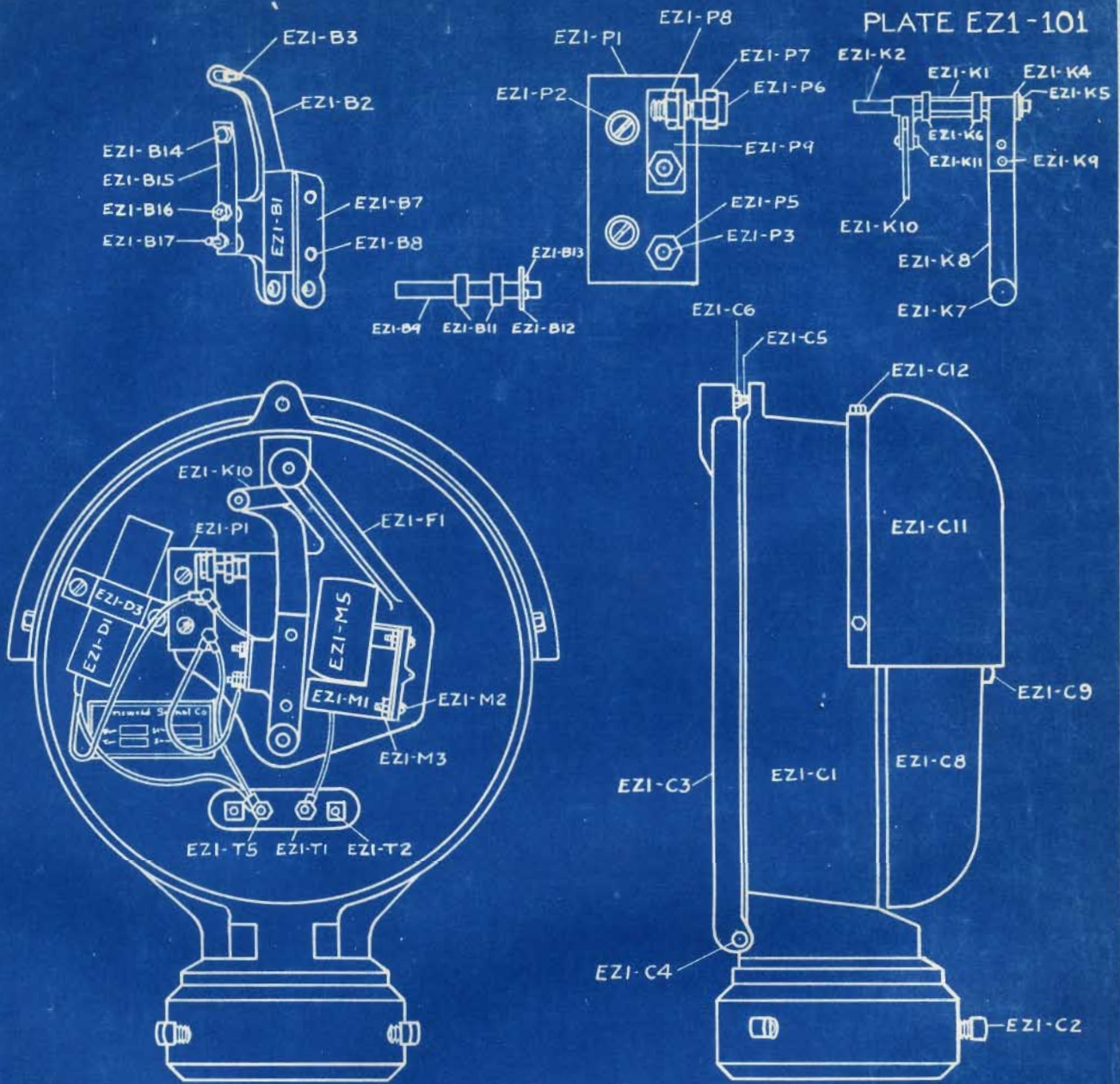
NOTE:

In ordering specify if for mounting inside relay case or in weather-proof housing as listed below.

If ordered for mounting inside relay case an extra long shaft will be provided to allow control knob to extend outside case and a lock cover (Fig.B listed below) suitable for locking control knob with standard switch lock will be furnished.

WEATHERPROOF HOUSING FOR ABOVE SWITCHES

- FIG. A Cast iron cabinet equipped with cover for control switch knob suitable for locking with standard switch lock. For mounting on side of relay case or control shanty.
- FIG.AA Same as Fig. A except for mounting on side of 2" to 5" pipe. Furnished for 4" I.D. pipe unless otherwise specified.
- FIG.AB Same as Fig. A except furnished mounted on 4" I.D. pipe post 4'6" high complete with base and pinnacle. Foundation bolt centers 9-1/2" X 9-1/2".
- FIG.AB1 Same as Fig.AB except with 11-11/16" X 11-11/16" bolt Centers.
- FIG. B Control knob locking cover only. Furnished with hinge on right side unless otherwise specified.



VIEW WITH DOOR REMOVED

HIGHWAY CROSSING SIGNAL BELL
 FOR 4" PIPE MOUNTING
 TYPE EZI

TYPE-EZI-HIGHWAY CROSSING SIGNAL BELL
PARTS LIST

PLATE EZI-2

MAR. 12, 1939

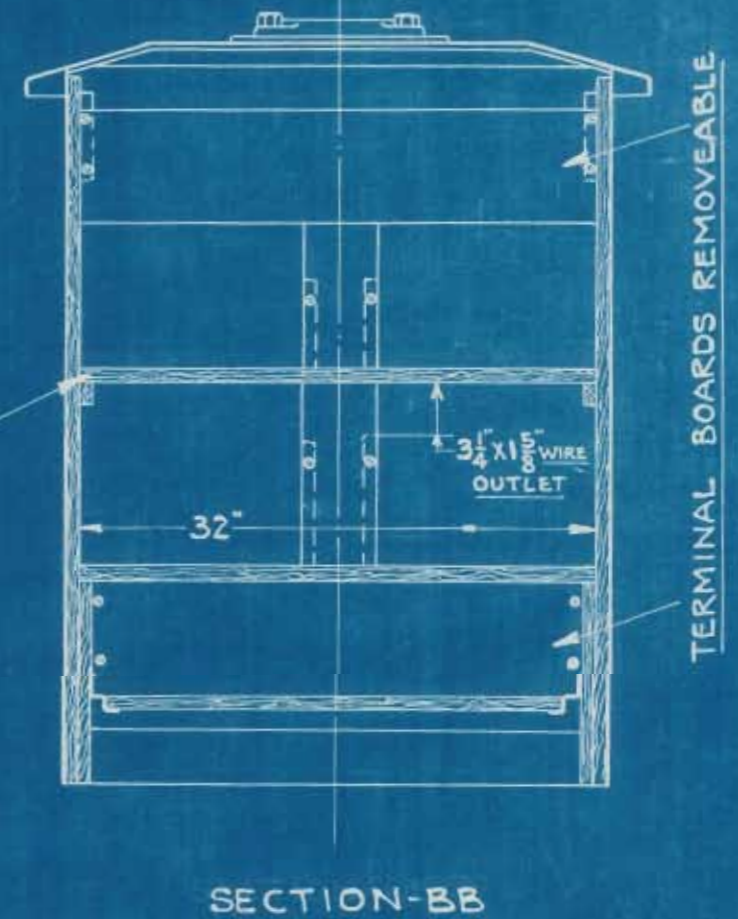
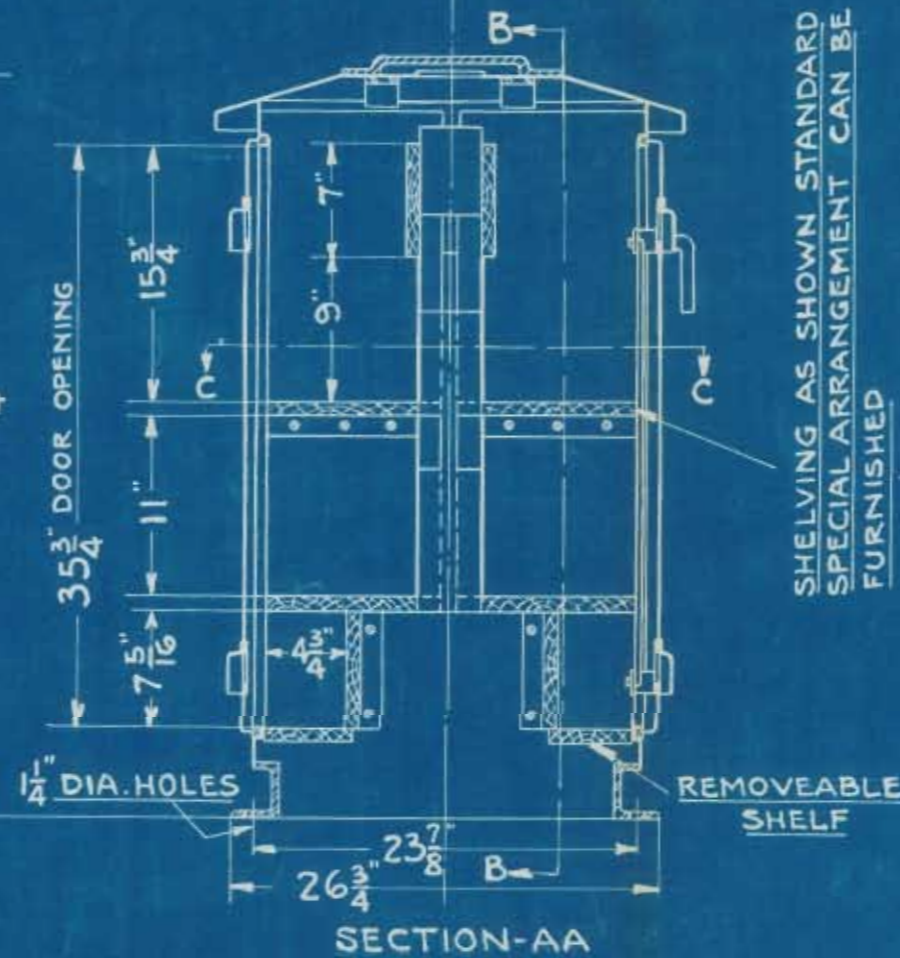
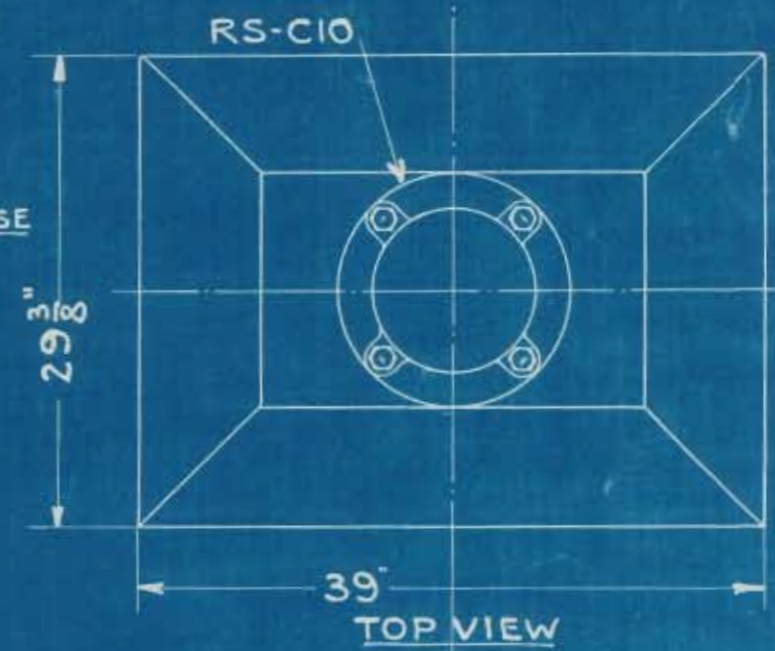
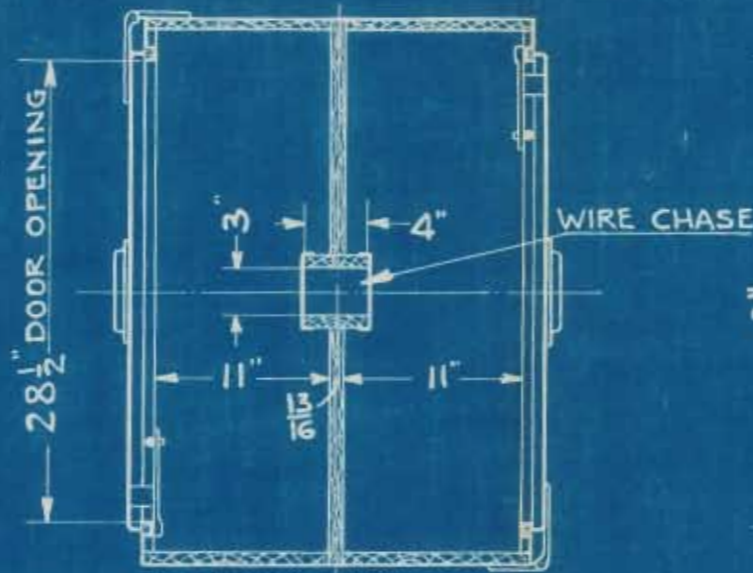
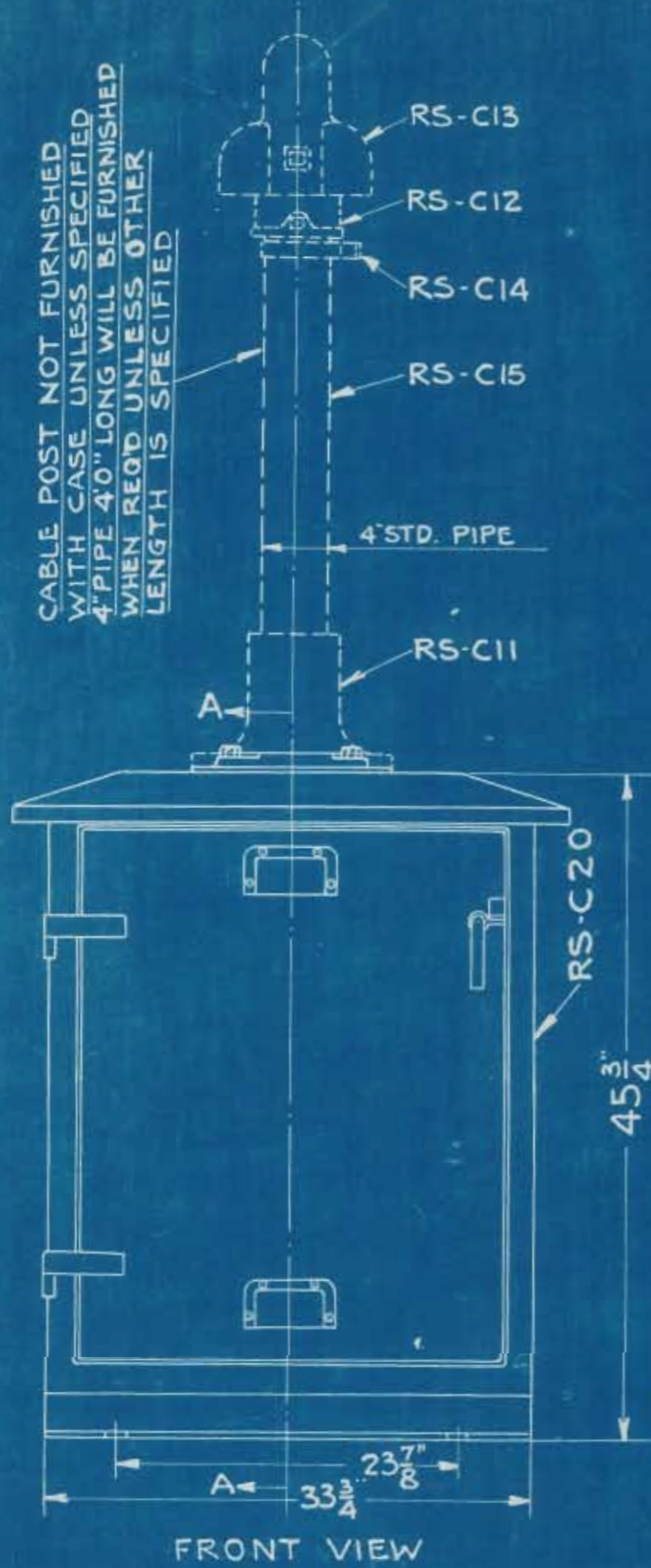
NO	MAGNET BAR	REQD	NO	CLAPPER	REQD
EZI-B-SI	MAGNET BAR ASSEMBLY COMPLETE	1	EZI-K-SI	CLAPPER ASSEMBLY COMPLETE	1
B1	MAGNET BAR	1	K1	CLAPPER BRACKET	1
B2	" " ARM	1	K2	" " SHAFT	1
B3	" " " LINK PIN	1	K3	" " " SET SCREW	1
B4	" " " " WASHER-BRASS	1	K4	" " " BRASS WASHER	1
B5	" " " " FELT	1	K5	" " " COTTER KEY	1
B6	" " " " COTTER KEY	1	K6	" " " FELT WASHER	2
B7	" " RETAINER	1	K7	CLAPPER	1
B8	" " RIVETS	2	K8	" ARM	1
B9	" " SHAFT	1	K9	" " RIVETS	2
B10	" " " SET SCREW	1	K10	LINK	1
B11	" " " FELT WASHER	2	K11	" PIN	1
B12	" " " BRASS WASHER	1		MAGNET	
B13	" " " COTTER KEY	1	EZI-M-SI	MAGNET ASSEMBLY COMPLETE	1
B14	" " CONTACT POINT	1	M1	MAGNET	1
B15	" " " ARM	1	M2	" SCREWS	4
B16	" " " " SCREW $\frac{5}{8}$ "	1	M3	" NUTS	4
B17	" " " " SCREW $\frac{3}{4}$ "	1	M4	" LOCKWASHER	4
B18	" " " " INSULATOR	2	M5	" COIL	1
B19	" " " " FIBER WASHER	2	M6	" COPPER STRIPS	2
B20	" " " " LOCK WASHER	2		CONTACT BLOCK	
B21	" " " " BRASS WASHER	1	EZI-P-SI	CONTACT BLOCK ASSEMBLY COMPLETE	1
B22	" " " " NUTS	5	P1	CONTACT BLOCK	1
	CABINET & BELL		P2	" " FASTENING SCREWS	2
EZI-C-SI	CABINET & BELL ASSEMBLY COMPLETE	1	P3	" " TERMINAL SCREWS	2
C1	CABINET	1	P4	" " " " WASHER	2
C2	" SET SCREWS	3	P5	" " " " NUT	5
C3	" DOOR	1	P6	" " CONTACT POINT	1
C4	" " HINGE PIN	1	P7	" " " " SCREW	1
C5	" " LOCK SCREW	1	P8	" " " " NUT	1
C6	" " " " NUT	1	P9	" " " " BRACKET	1
C7	" " PACKING	1	P10	" " " " " SCREW	1
C8	BELL	1		TERMINAL	
C9	" FASTENING SCREW	1	EZI-T-SI	TERMINAL ASSEMBLY COMPLETE	1
C10	" FASTENING PIN	1	T1	TERMINAL	1
C11	" HOOD	1	T2	" FASTENING SCREW	2
C12	" " SCREWS	3	T3	" " NUT	2
C13	NAME PLATE	1	T4	" " LOCKWASHER	2
	CONDENSER		T5	" SCREW	2
EZI-D-SI	CONDENSER ASSEMBLY COMPLETE	1	T6	" NUT-STANDARD	4
D1	CONDENSER	1	T7	" NUT-SPECIAL	4
D2	" CLIP	1	T8	" WASHERS	8
D3	" CLAMP	1		WIRES	
D4	" " FELT	1	EZI-W1	FLEXIBLE LEAD, CONTACT BLOCK TO MAGNET BAR	1
D5	" " SCREWS	3	W2	LEAD, CONTACT BLOCK TO TERMINAL	1
D6	" " LOCK WASHER	3			
	CLAPPER MECHANISM FRAME				
EZI-F-SI	CLAPPER MECHANISM FRAME COMPLETE	1			
F1	CLAPPER MECHANISM FRAME	1			
F2	" " " SCREW	2			
F3	" " " NUT	2			
F4	" " " LOCKWASHER	2			

WELDED STEEL RELAY CASE

COPPER BEARING STEEL

PLATE RS-C2

CABLE POST NOT FURNISHED WITH CASE UNLESS SPECIFIED 4" PIPE 4'0" LONG WILL BE FURNISHED WHEN REQD UNLESS OTHER LENGTH IS SPECIFIED



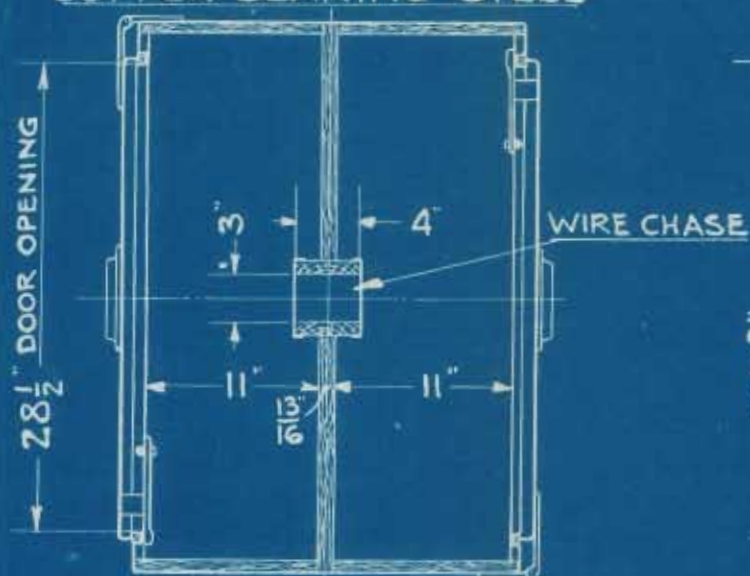
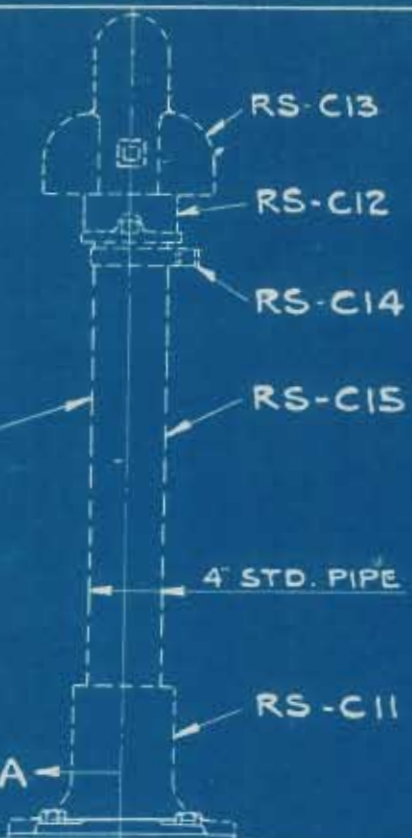
NO	DESCRIPTION	REQD	NO	DESCRIPTION	REQD	NO	DESCRIPTION	REQD
RS-C20	RELAY CASE-8 WAY	1	RS-C12	POST HEAD	1	RS-C15	4'0" CABLE POST	1
RS-C10	COVER	1	RS-C13	PINNACLE	1			
RS-C11	POST BASE	1	RS-C14	CABLE SUPPORT CLAMP	1			

GRISWOLD SIGNAL CO.
MINNEAPOLIS MINN.
SCALE 1"=1'0" DATE 6-10-37

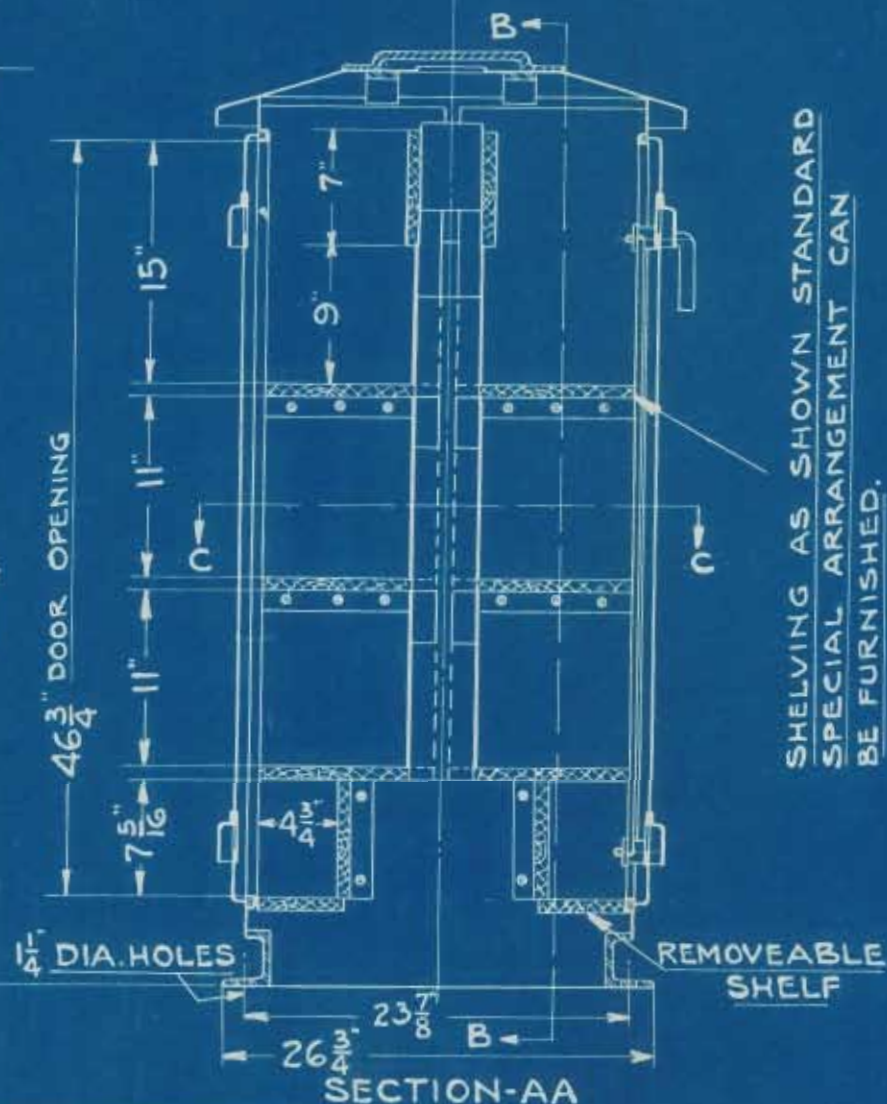
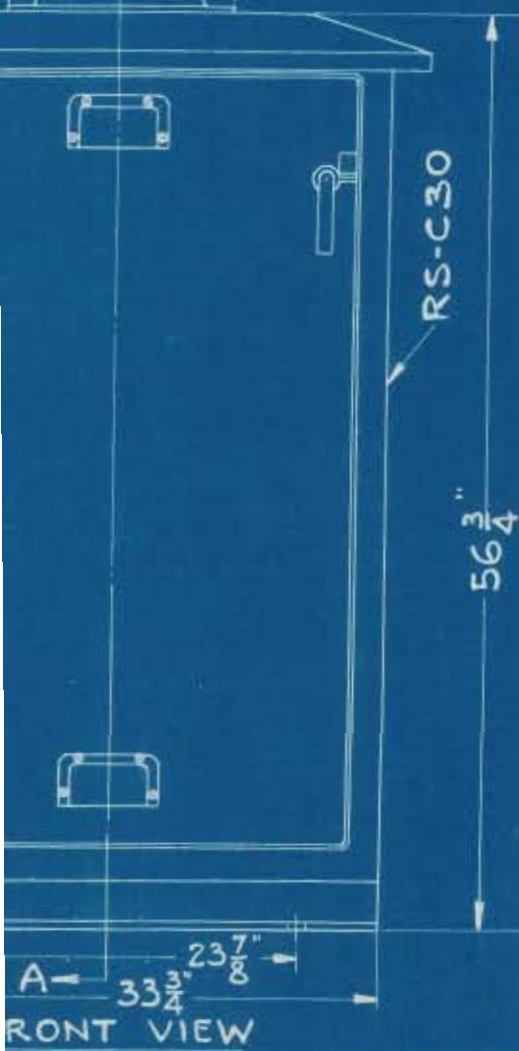
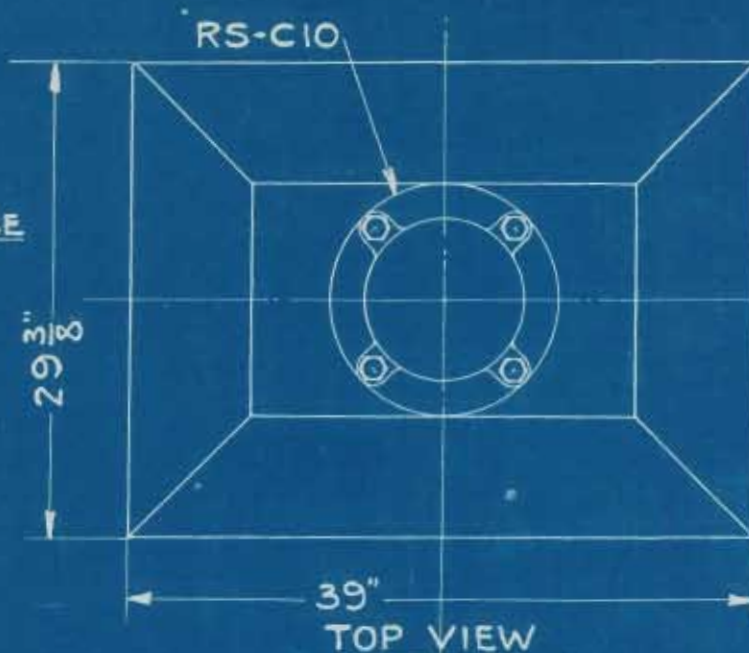
WELDED STEEL RELAY CASE

PLATE RS-C3

COPPER BEARING STEEL

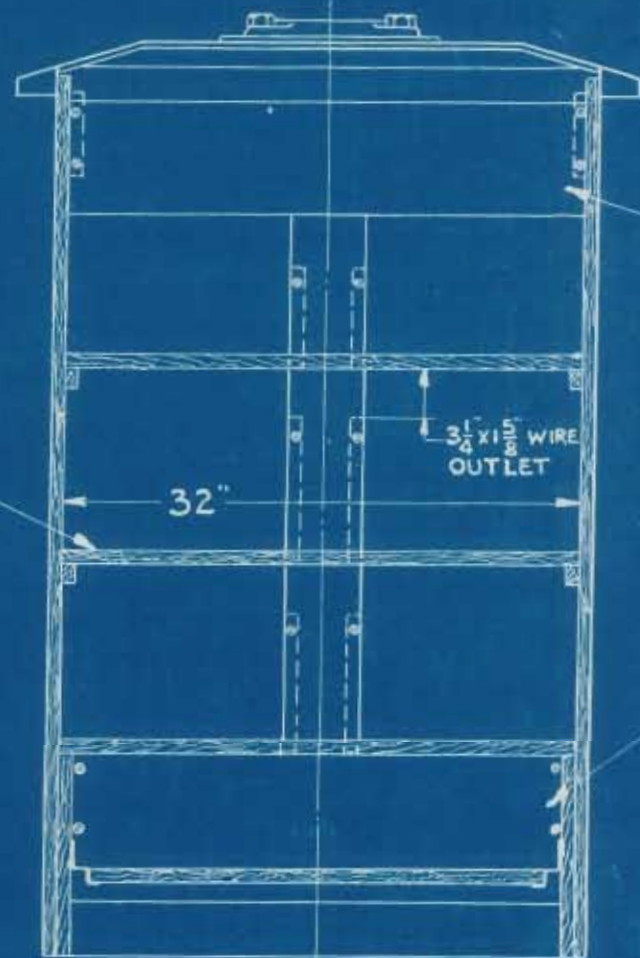


SECTION-CC



SECTION-AA

SHELVING AS SHOWN STANDARD
SPECIAL ARRANGEMENT CAN
BE FURNISHED.



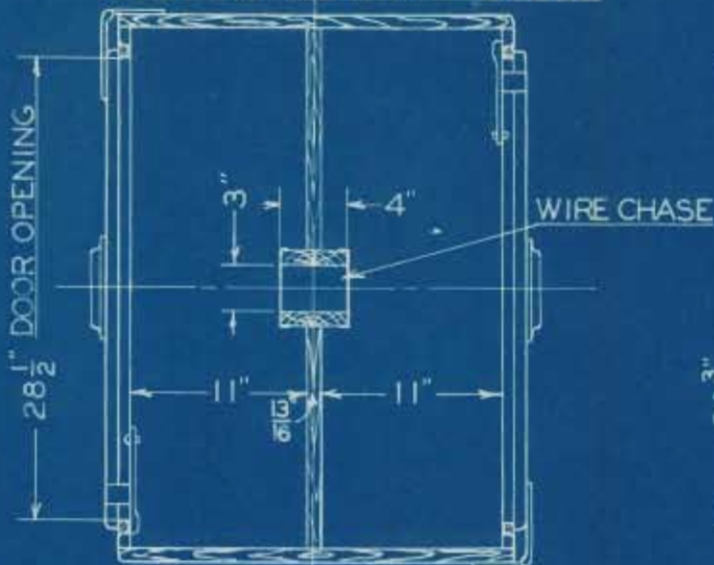
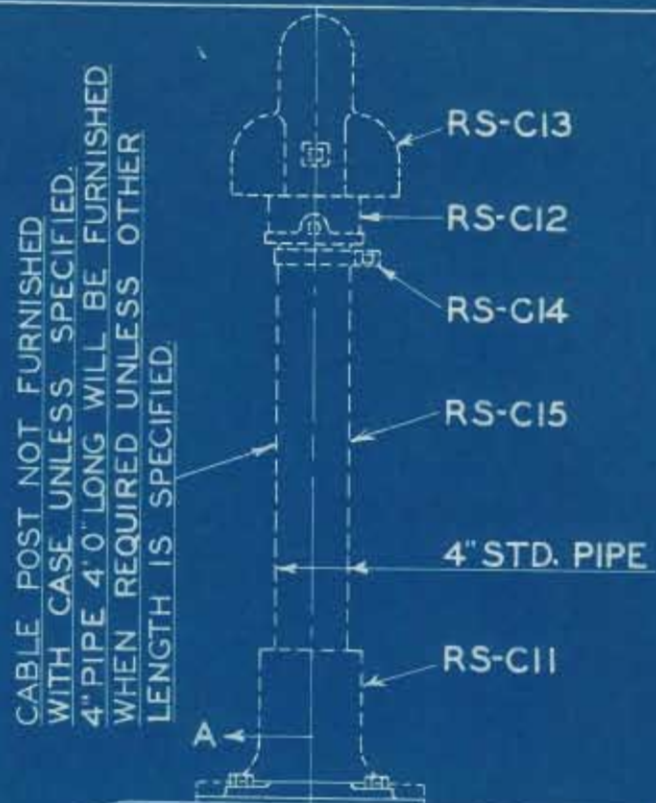
SECTION-BB

NO	REQD	NO	DESCRIPTION	REQD	NO	DESCRIPTION	REQD
2 WAY	1	RS-C12	POST HEAD	1	RS-C15	4'0" CABLE POST	1
	1	RS-C13	PINNACLE	1			
	1	RS-C14	CABLE SUPPORT CLAMP	1			

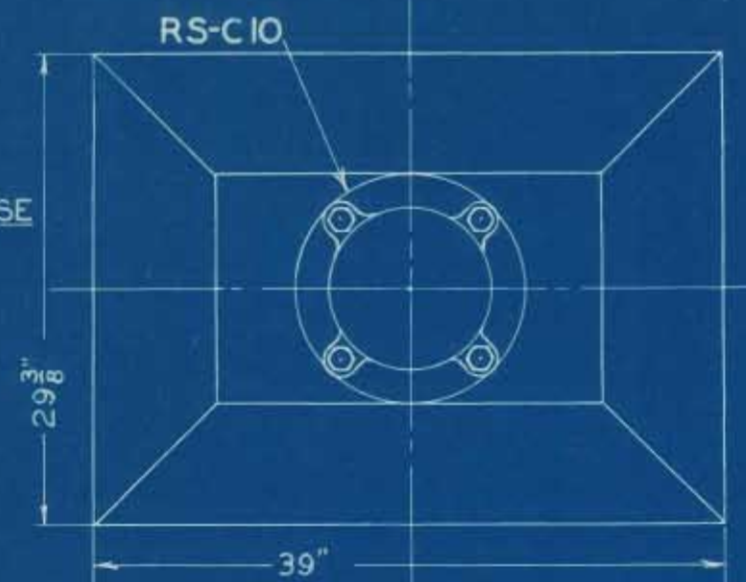
GRISWOLD SIGNAL CO.
MINNEAPOLIS MINN.
SCALE 1"=1'0" DATE 6-7-37

WELDED STEEL RELAY CASE
COPPER BEARING STEEL

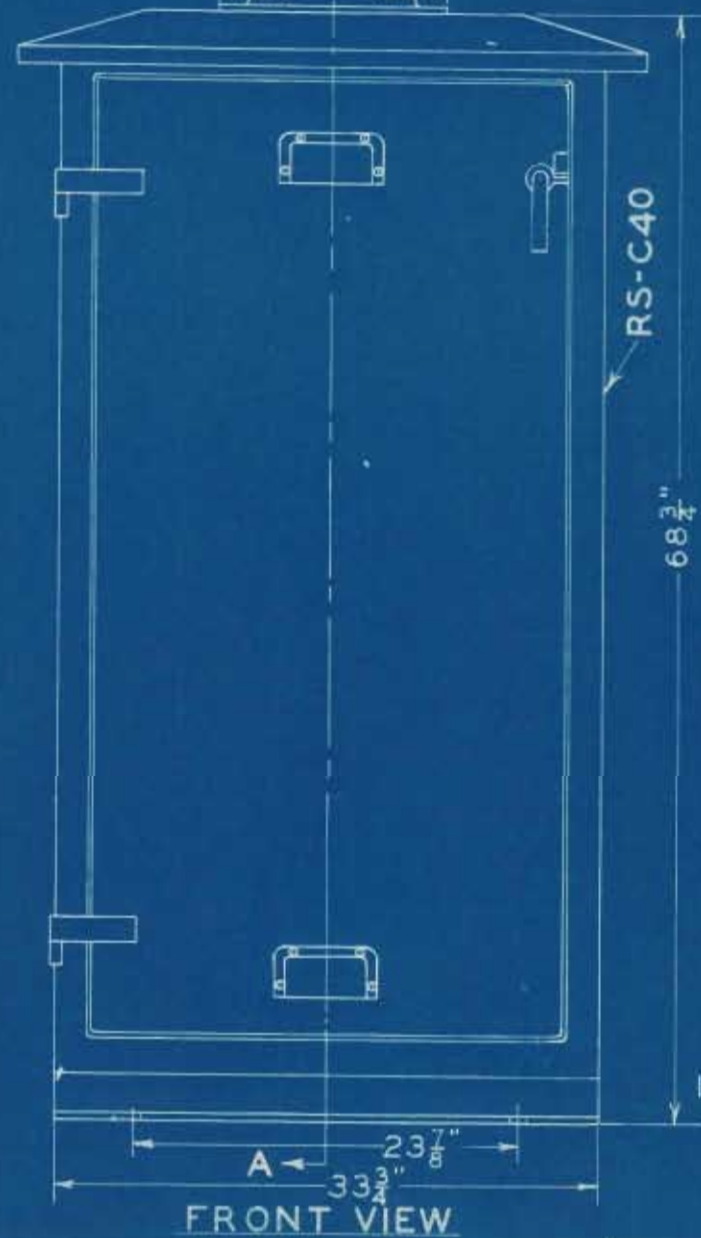
PLATE RS-C4



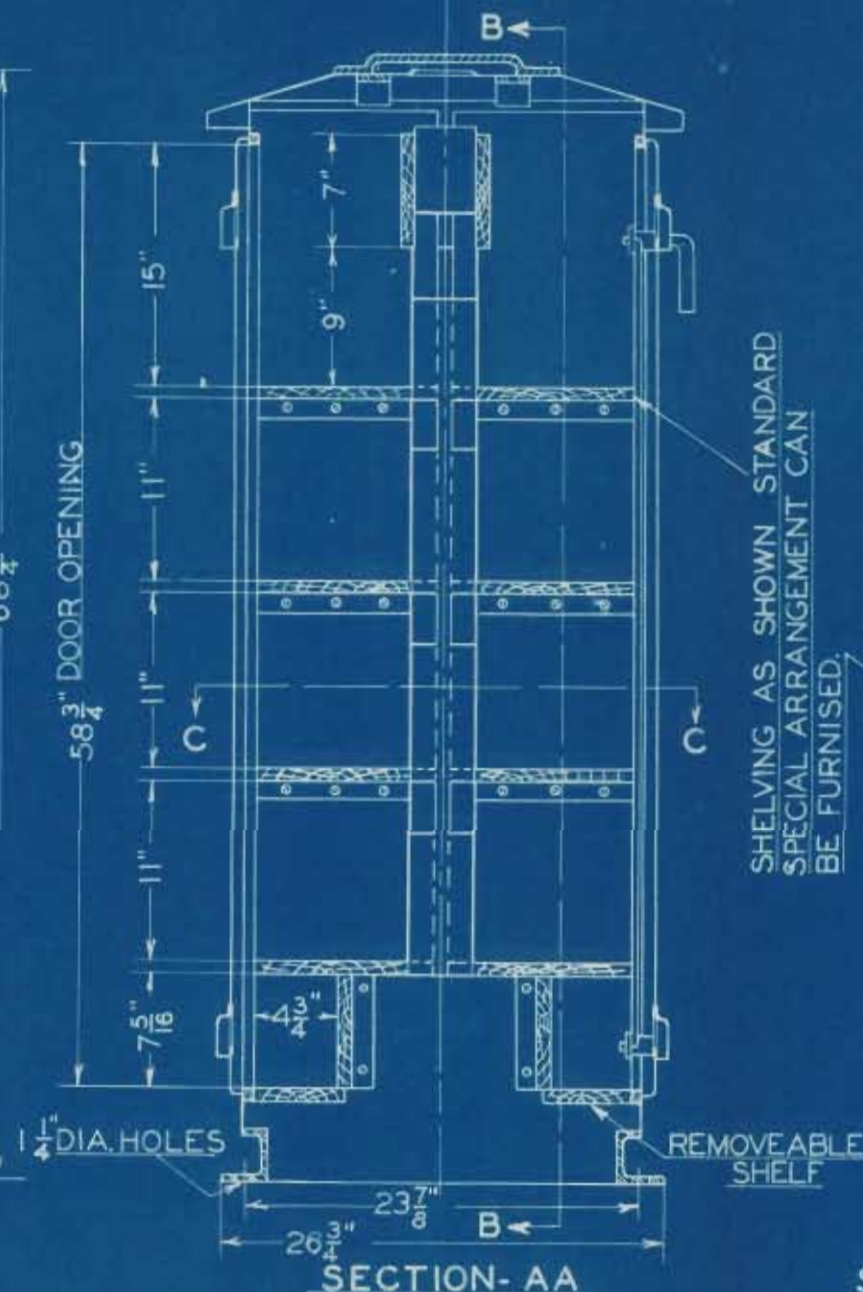
SECTION-CC



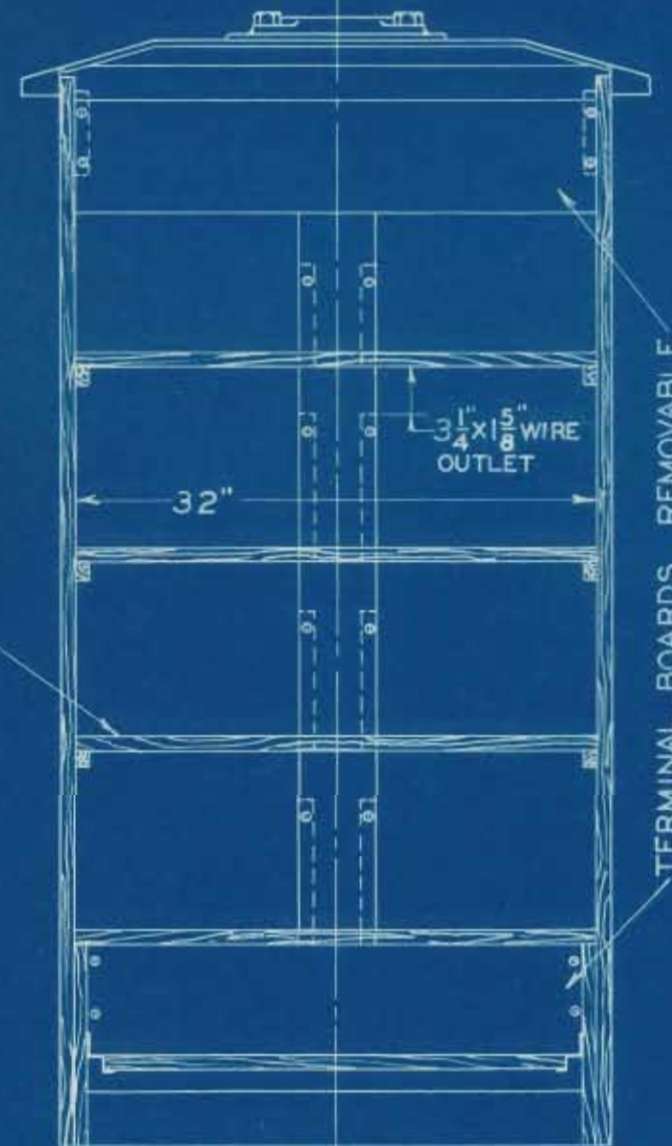
TOP VIEW



FRONT VIEW



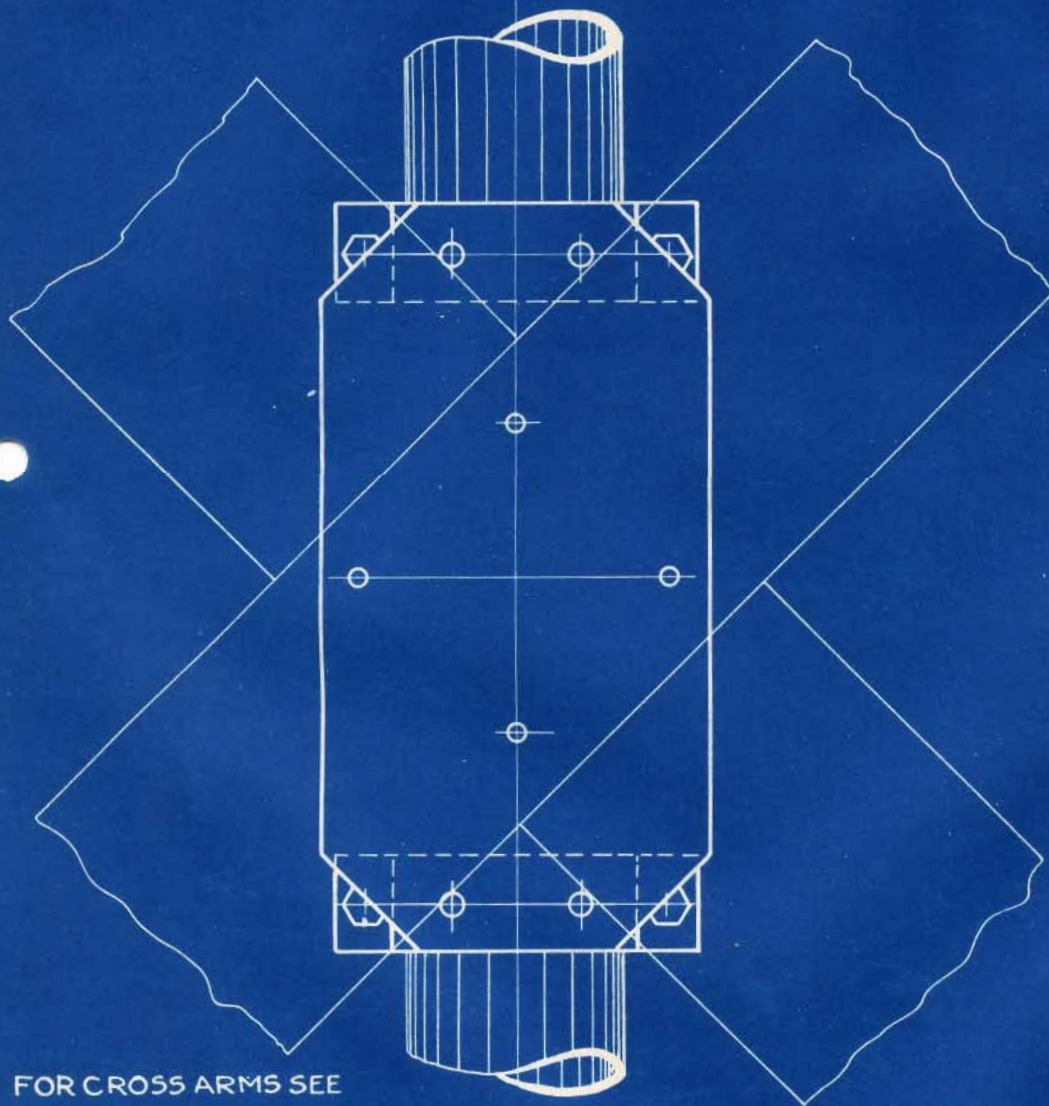
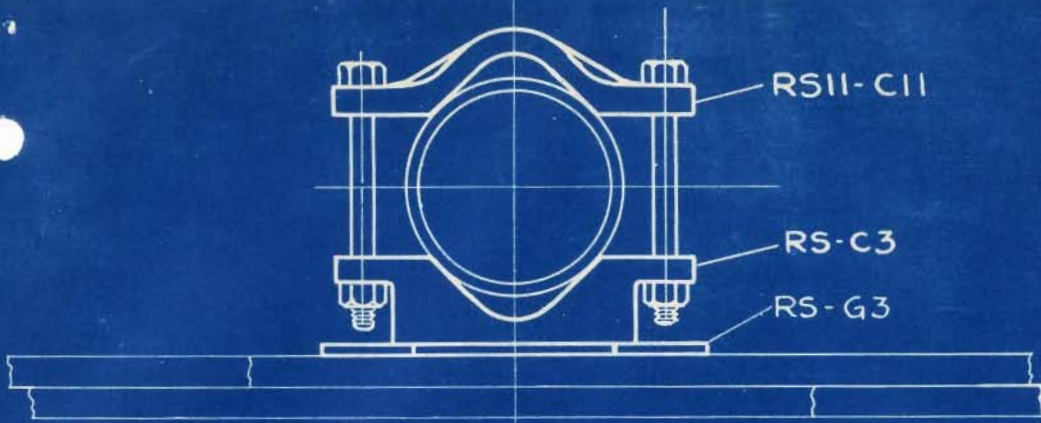
SECTION-AA



SECTION-BB

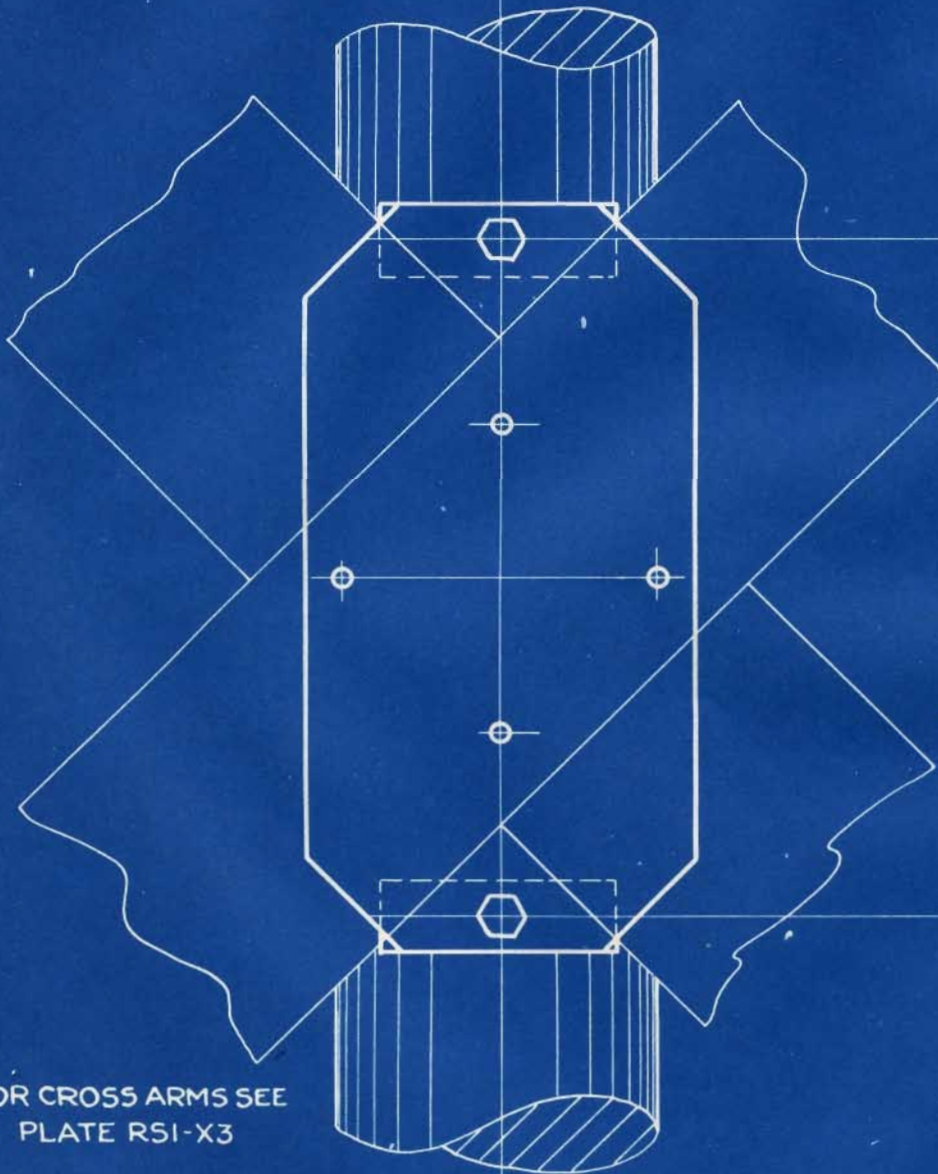
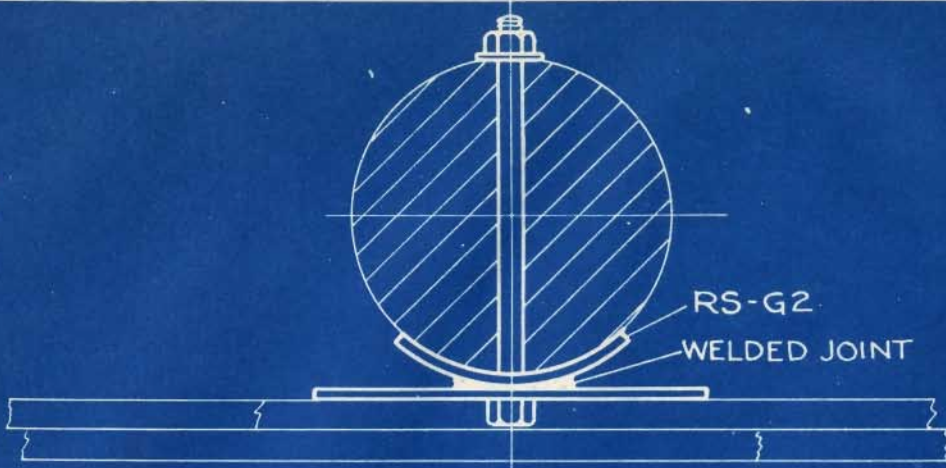
GRISWOLD SIGNAL CO.
MINNEAPOLIS, MINN.
SCALE 1"=1'0" DATE 3-15-40

NO.	DESCRIPTION	REQD.	NO.	DESCRIPTION	REQD.
RS-C40	RELAY CASE-16 WAY	1	RS-C13	PINNACLE	1
RS-C10	COVER	1	RS-C14	CABLE SUPPORT CLAMP	1
RS-C11	POST BASE	1	RS-C15	4'0" CABLE POST	1
RS-C12	POST HEAD	1			



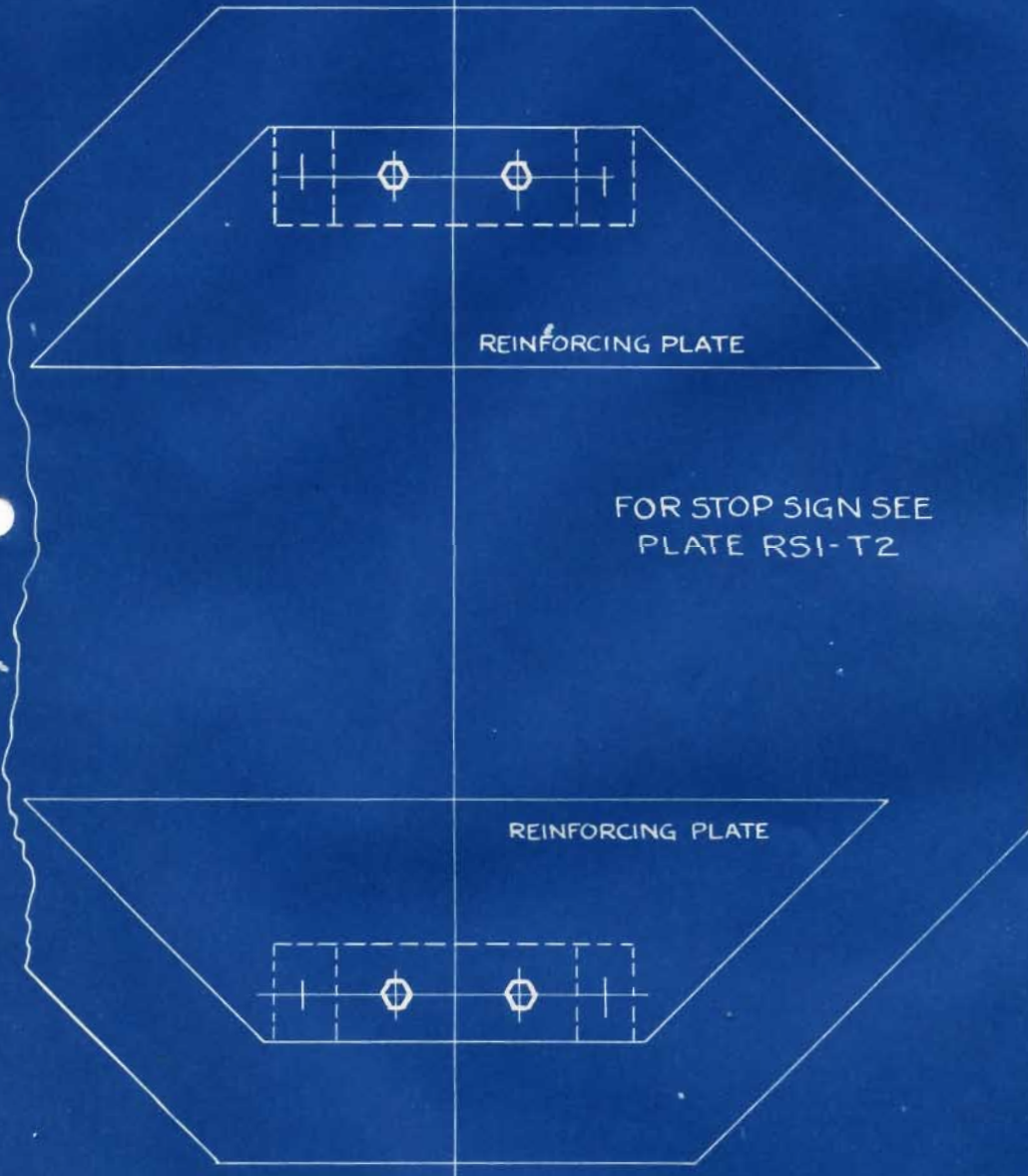
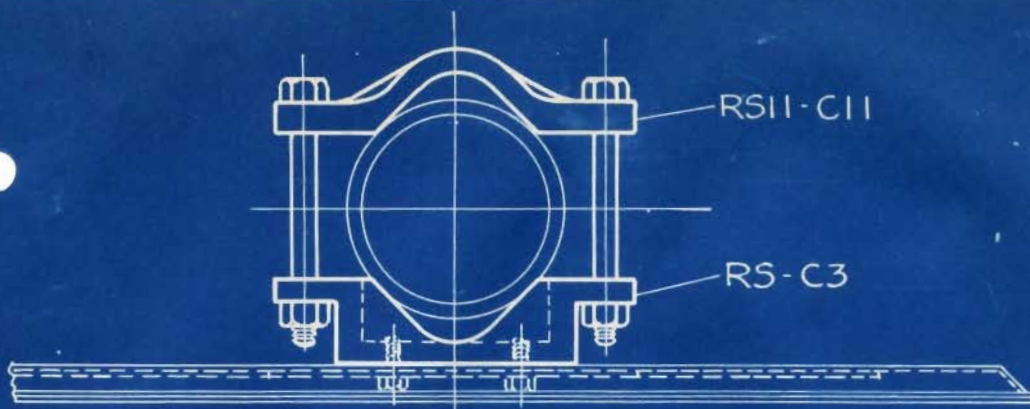
FOR CROSS ARMS SEE
PLATE R51-X3

MOUNTING FOR CROSS ARMS
FOR STEEL OR CAST IRON POST
SPECIFY SIZE OF POST

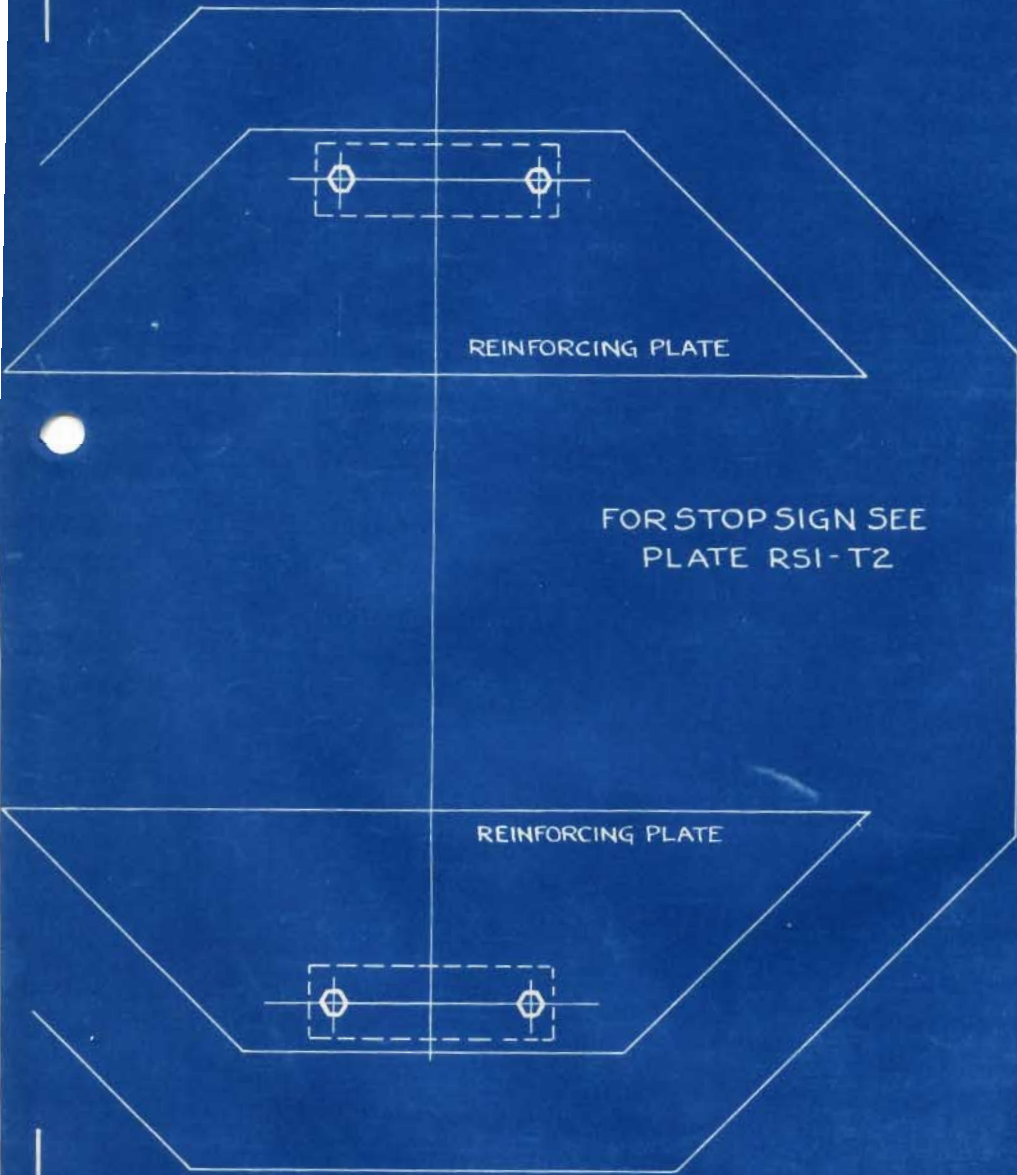
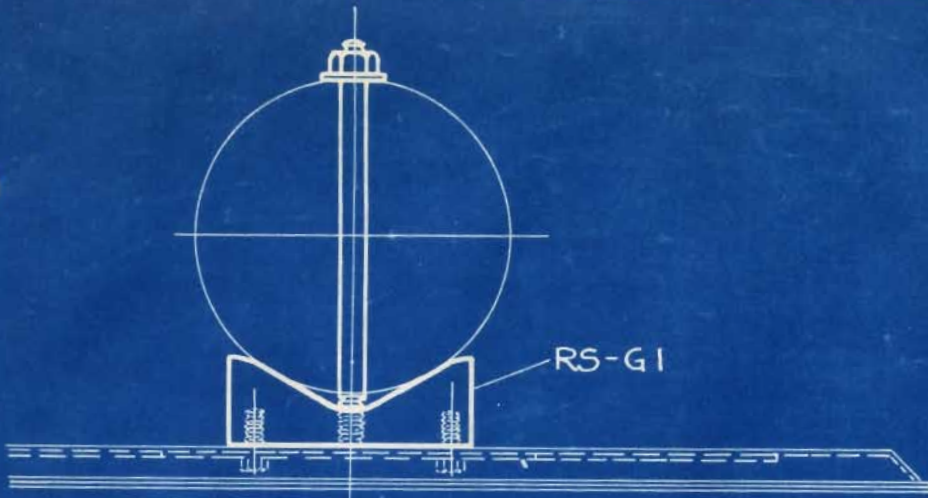


FOR CROSS ARMS SEE
PLATE RSI-X3

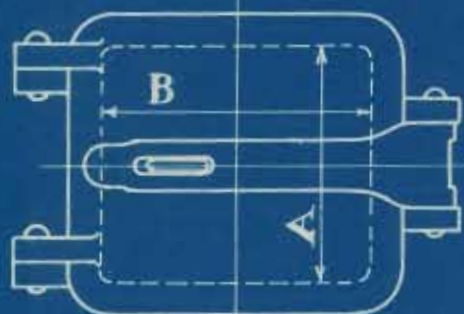
MOUNTING FOR CROSS ARMS
FOR WOOD POST
SPECIFY SIZE OF POST



MOUNTING FOR STOP SIGN
FOR STEEL OR CAST IRON POST
SPECIFY SIZE OF POST

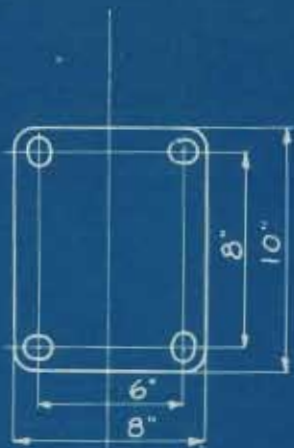


MOUNTING FOR STOP SIGN
FOR WOOD POST
SPECIFY SIZE OF POST

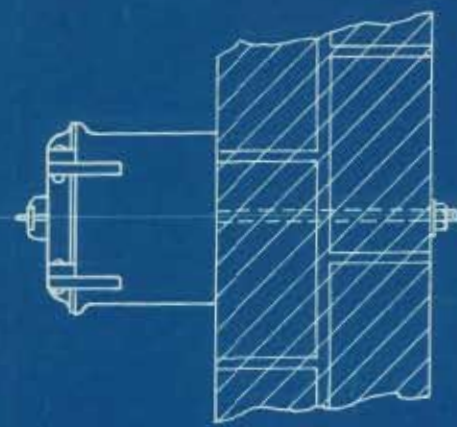
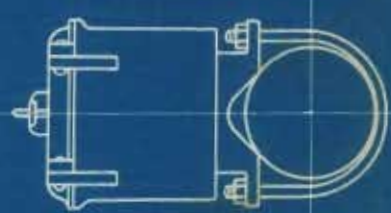


CABINET NUMBER	WIDTH A	LENGTH B	DEPTH C
EC20	4 7/8"	5 3/4"	3 1/2"
RS-C6	6 1/2"	9"	6"
RS-C1	9"	14"	7 1/4"

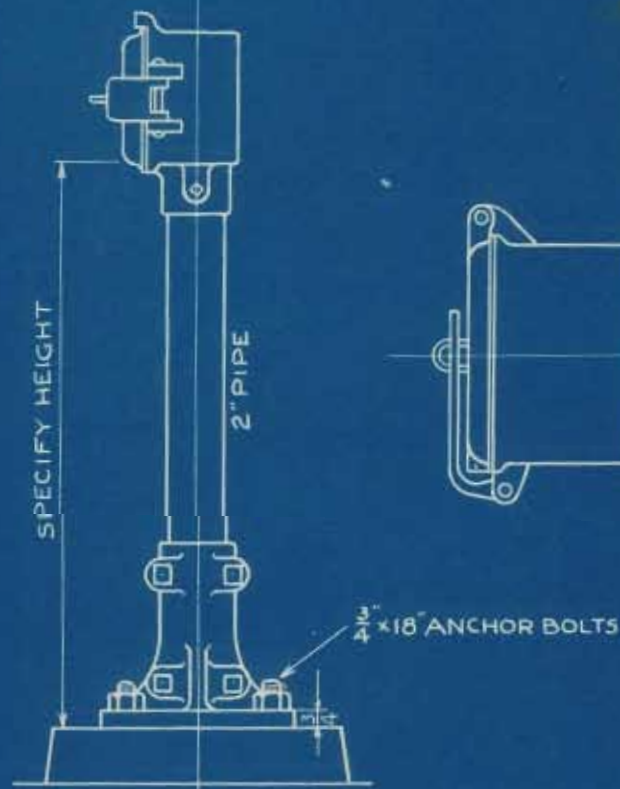
NOTE:- INSIDE MEASUREMENTS



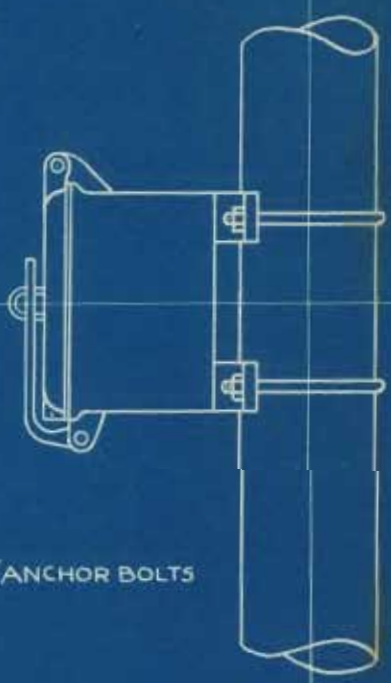
BASE PLAN



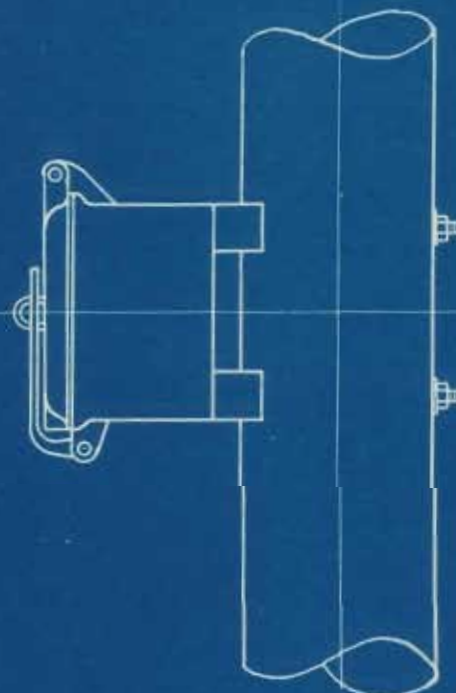
CONCRETE BASE



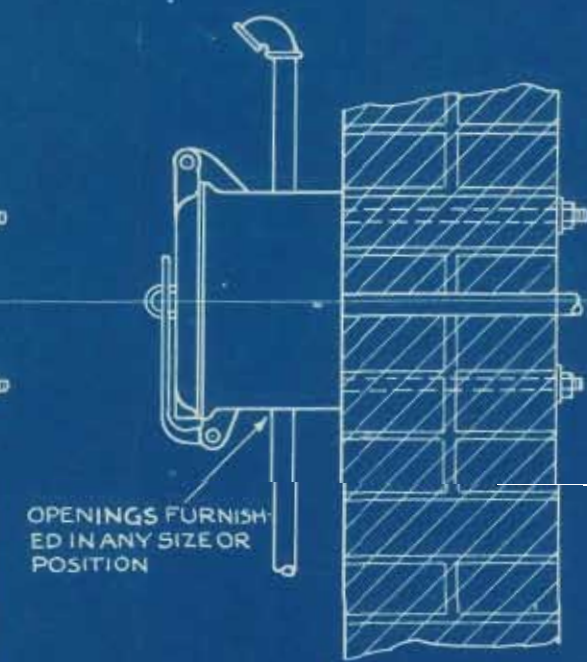
TOP OF POST
SPECIFY HEIGHT



CLAMPED TO STEEL PIPE
SPECIFY DIAMETER



CLAMPED TO WOOD POST
SPECIFY DIAMETER



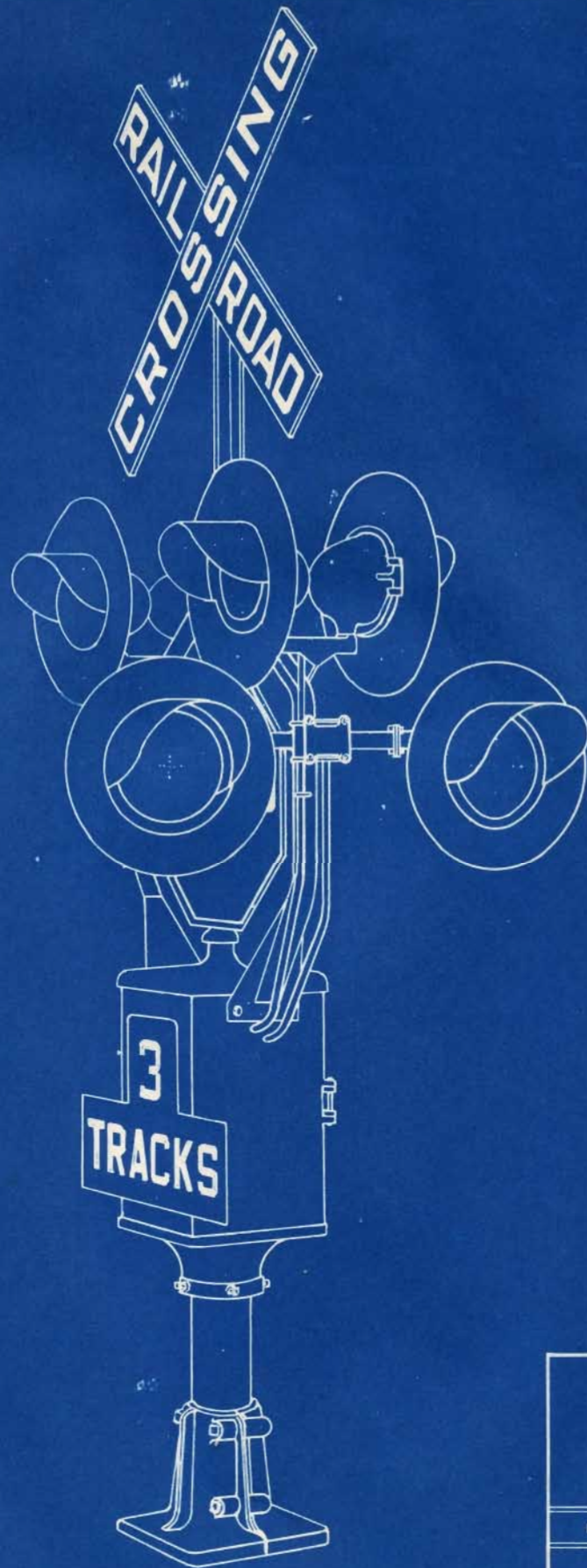
BOLTED TO WALL
SPECIFY LENGTH OF BOLTS

PLEASE SPECIFY

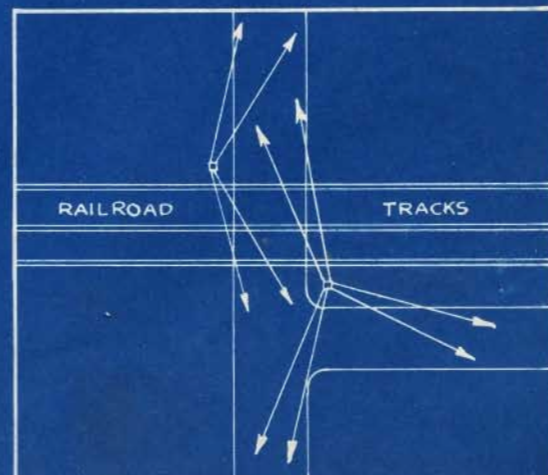
1. CABINET NUMBER
2. TYPE OF MOUNTING
3. SIZE OF PIPE OR POST
4. CABINET TO BE MOUNTED HORIZONTALLY OR VERTICALLY
5. FOR WALL MOUNTING SPECIFY LENGTH OF BOLTS
6. IS TERMINAL BOARD REQUIRED
7. OUTLETS
 - LOCATION
 - SIZE
 - PLAIN OR TAPPED

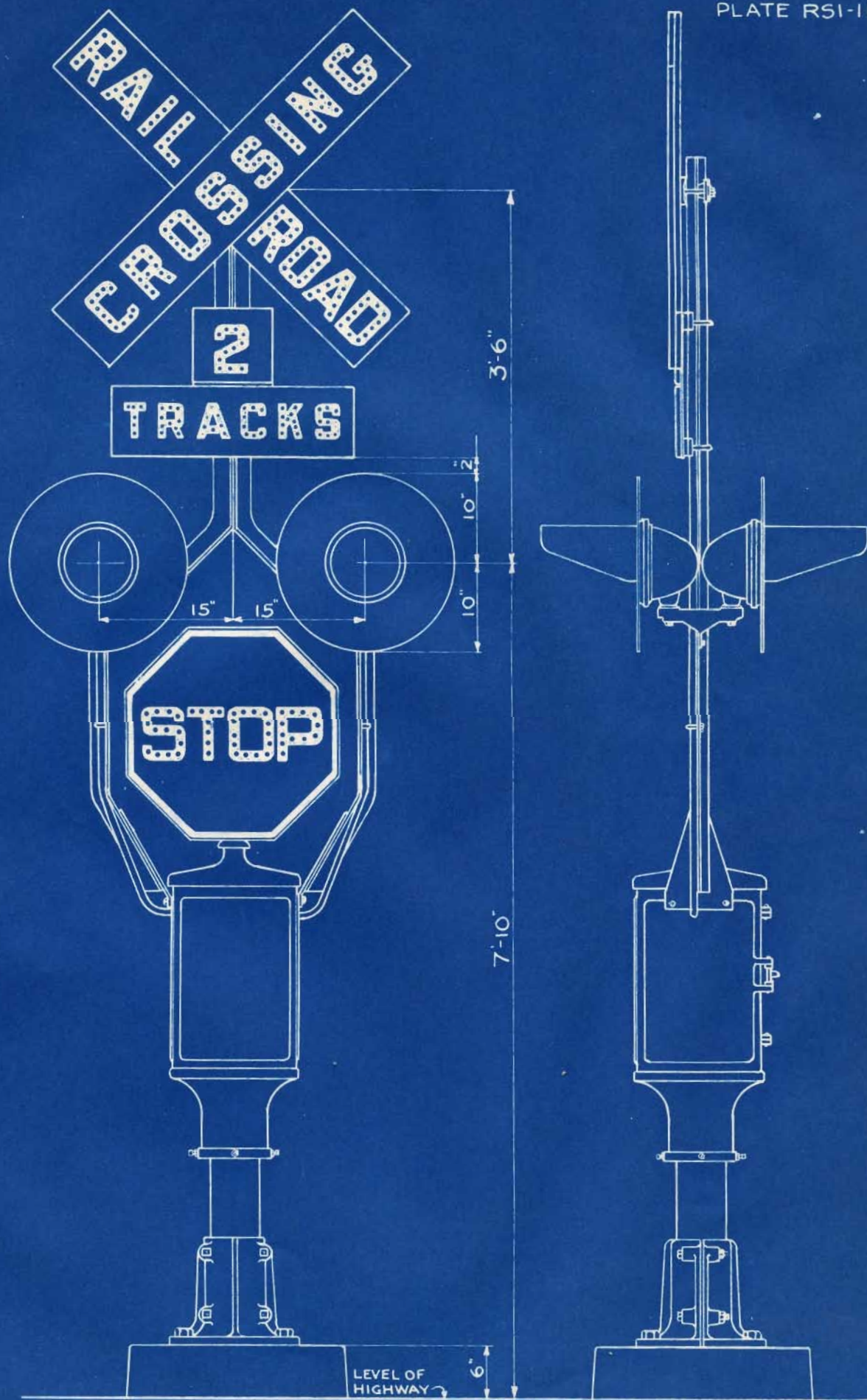
CAST IRON TERMINAL, SWITCH OR ARRESTER CABINETS

SIZES AND METHODS OF MOUNTING

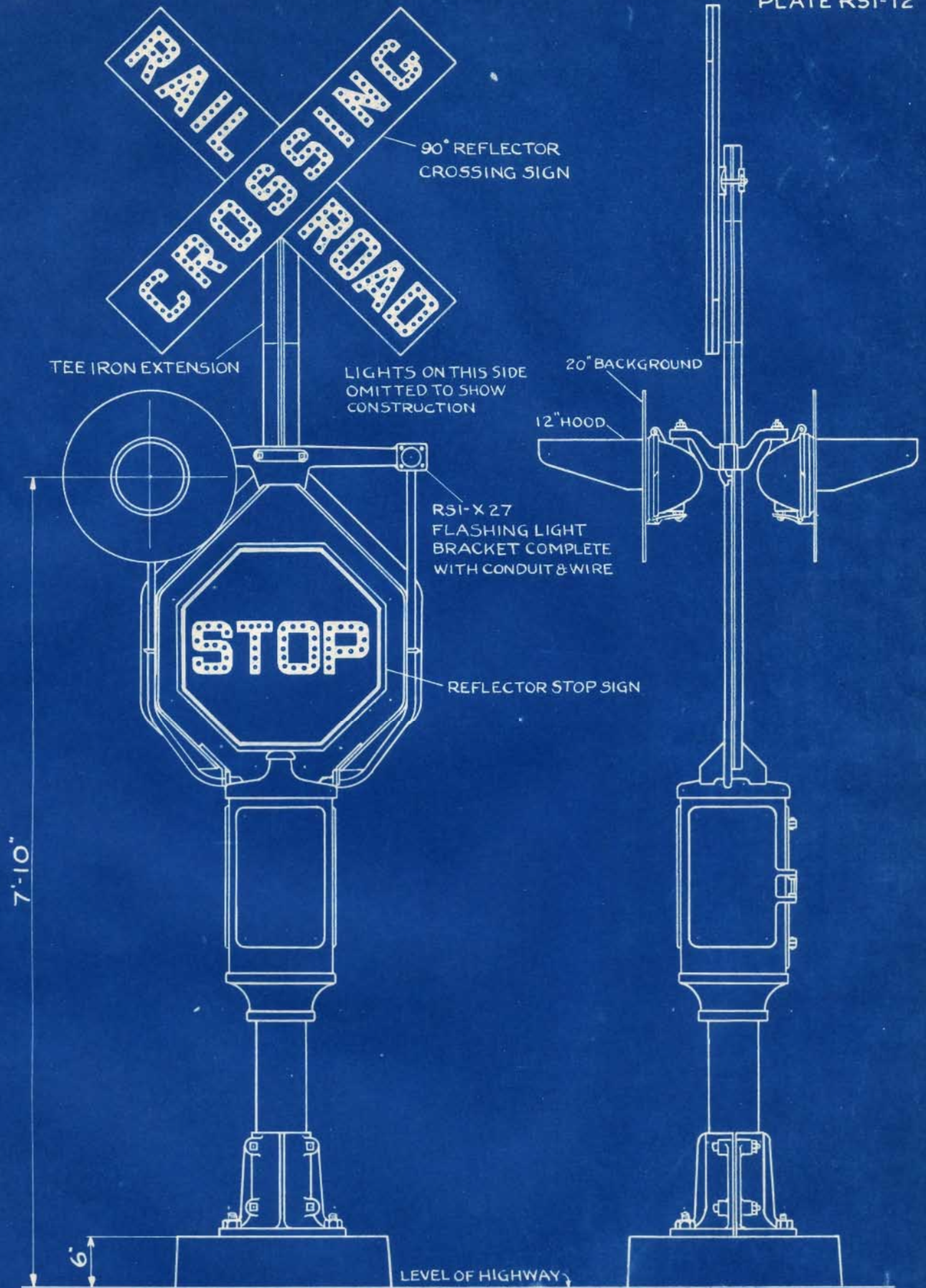


HIGHWAY CROSSING SIGNAL
WITH TWO SIDE LIGHTS
SPECIFY FOR RIGHT OR LEFT MOUNTING
SEE KEY MAP AT THE RIGHT.



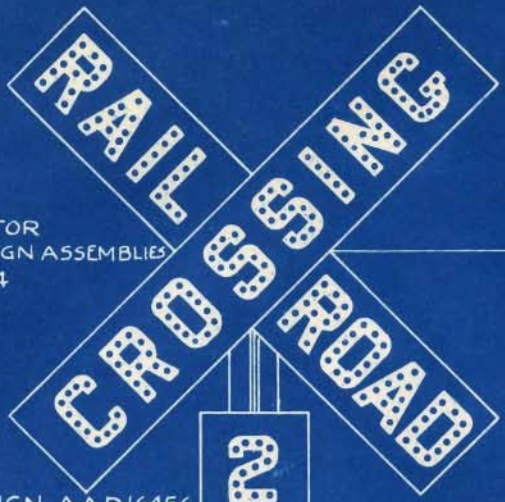


HIGHWAY CROSSING SIGNAL
WITH FOUR ADJUSTABLE FLASHING LIGHTS
REFLECTING BUTTON CROSS BUCK, TRACK SIGN & STOP SIGN



HIGHWAY CROSSING SIGNAL
MATERIAL REQUIRED TO RAISE LAMPS AND
CROSSING SIGN TO AAR STANDARDS

2-90° REFLECTOR
CROSSING SIGN ASSEMBLIES
AAR 16424



NUMERAL SIGN AAR 16456

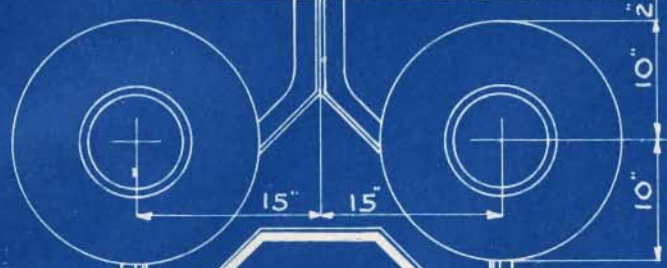


TRACK SIGN
AAR 16457



TRACK SIGN
AS REQUIRED

3'-6"



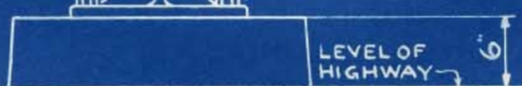
STOP SIGN MADE
IN ACCORDANCE
WITH THE LATEST
SPECIFICATIONS
OF THE U.S. BUREAU
OF PUBLIC ROADS



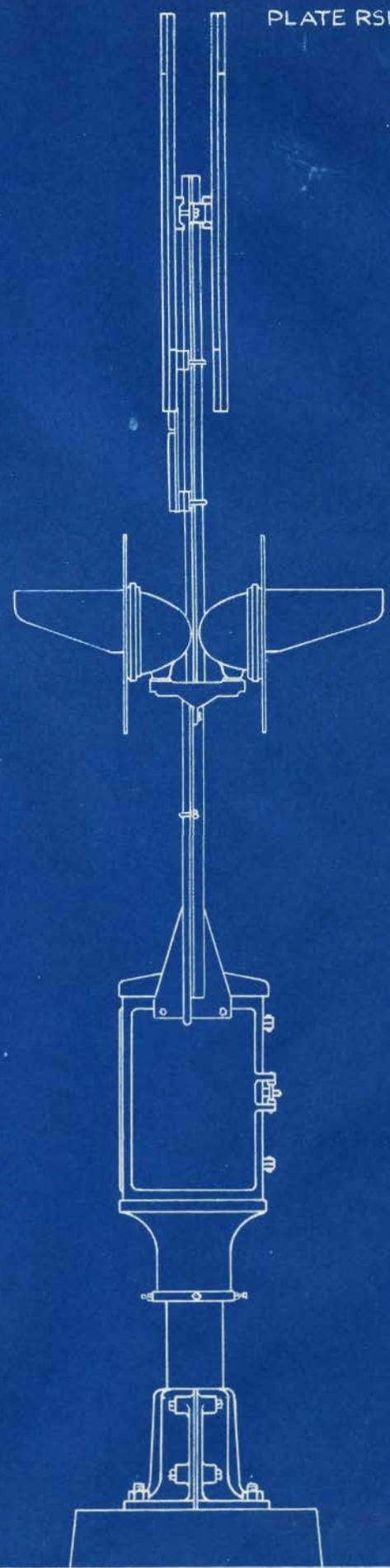
7'-10"

5" STANDARD PIPE POST

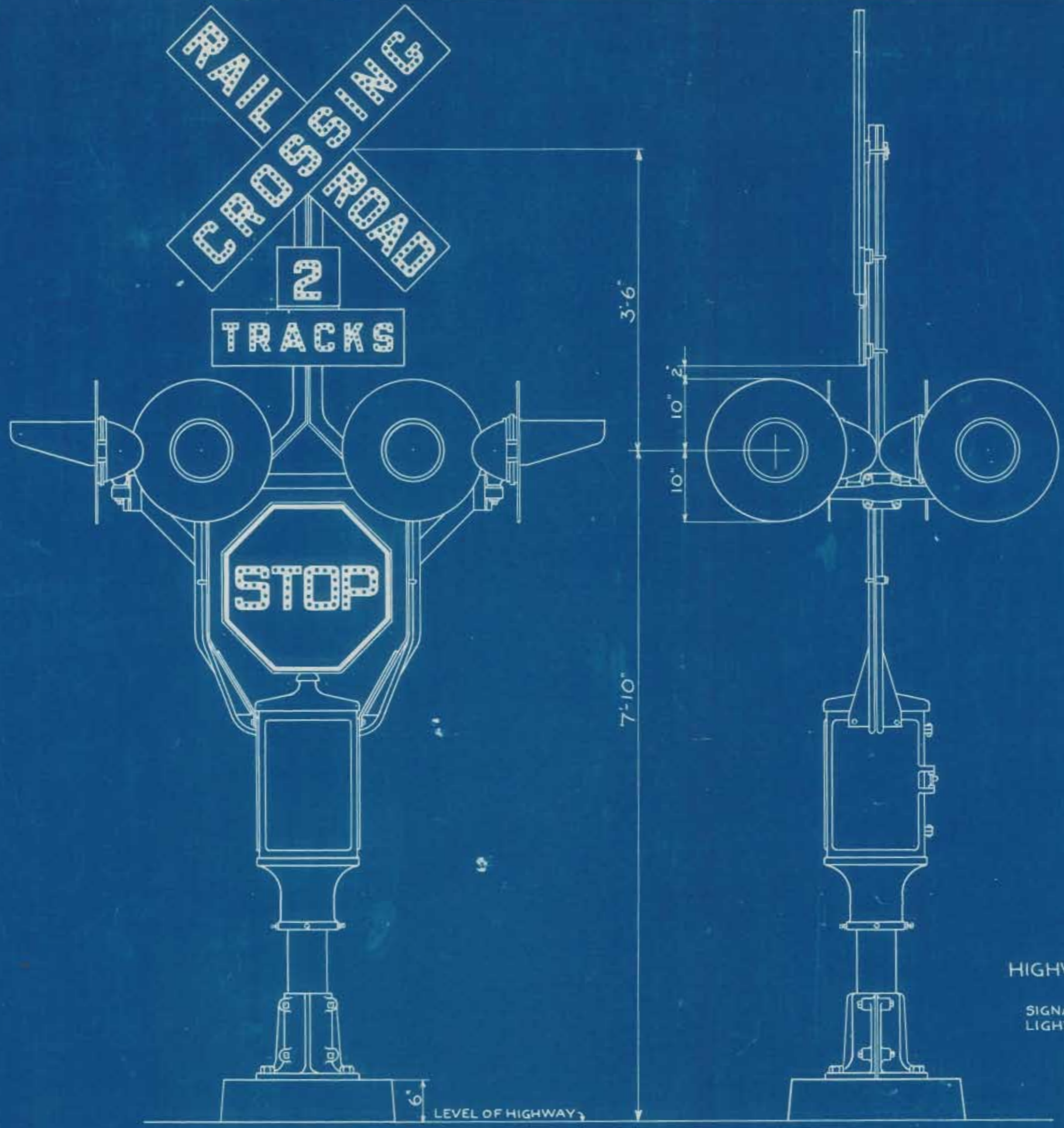
A.A.R. SPLIT BASE



LEVEL OF
HIGHWAY 6"



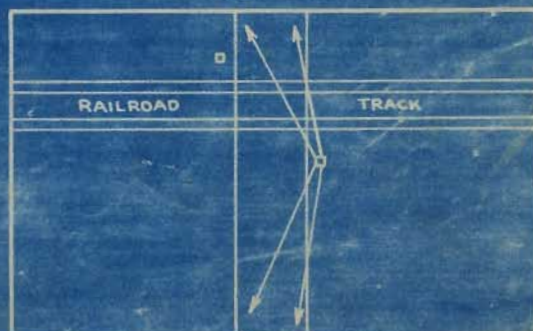
HIGHWAY CROSSING SIGNAL
WITH FOUR ADJUSTABLE FLASHING LIGHTS
REFLECTING BUTTON CROSSBUCKS, TRACK SIGN & STOP SIGN



HIGHWAY CROSSING SIGNAL
WITH SIDE LIGHTS
SIGNALS FURNISHED WITH SIDE
LIGHTS ON EITHER SIDE OR BOTH

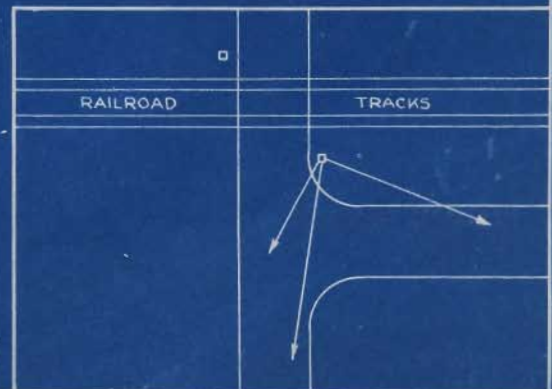


HIGHWAY CROSSING SIGNAL
 WITH FOUR ADJUSTABLE FLASHING LIGHTS
 FOR PROTECTING A CROSSING WITH A
 ROAD APPROACHING AS SHOWN IN
 THE KEY MAP AT THE RIGHT
 SPECIFY CENTER OR SIDE MOUNTING BASE





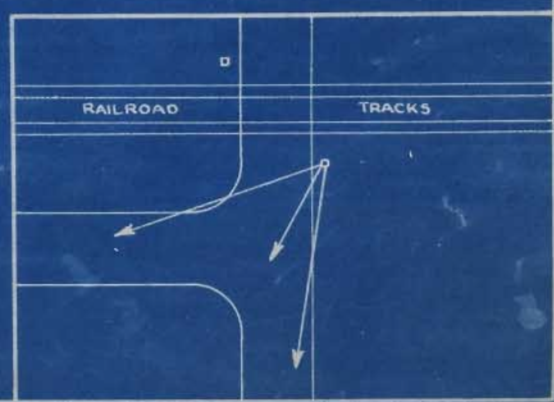
HIGHWAY CROSSING SIGNAL
 WITH THREE ADJUSTABLE FLASHING LIGHTS
 FOR PROTECTING A CROSSING WITH
 ROADS APPROACHING AS SHOWN IN
 THE KEY MAP AT THE RIGHT
 SPECIFY CENTER OR SIDE MOUNTING BASE





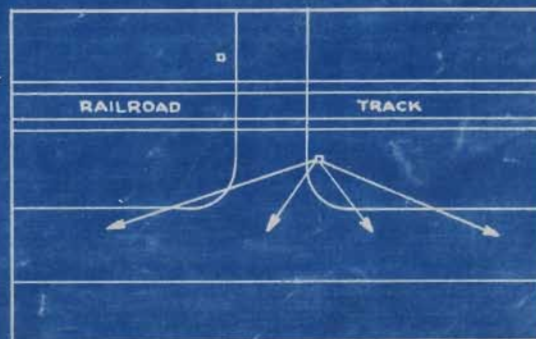
SIDE MOUNTING BASE

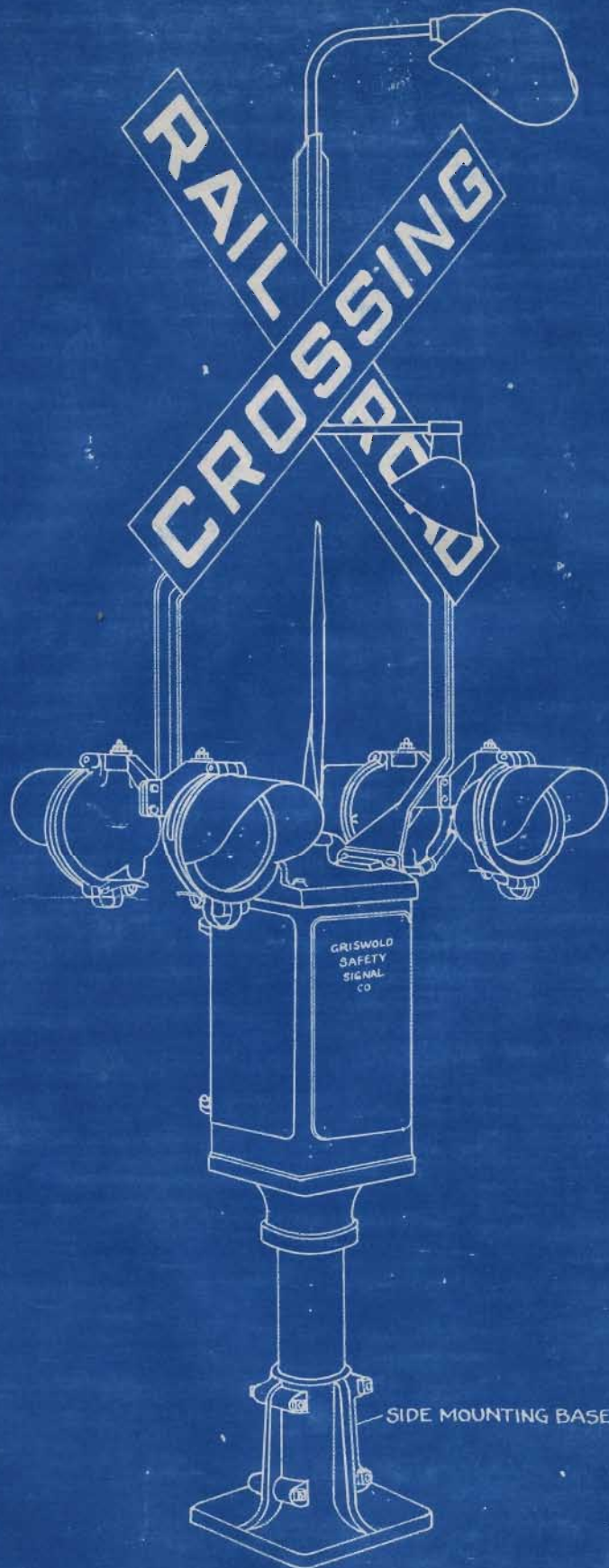
HIGHWAY CROSSING SIGNAL
WITH THREE ADJUSTABLE FLASHING LIGHTS
FOR PROTECTING A CROSSING WITH
ROADS APPROACHING AS SHOWN IN
THE KEY MAP AT THE RIGHT.
SPECIFY CENTER OR SIDE MOUNTING BASE



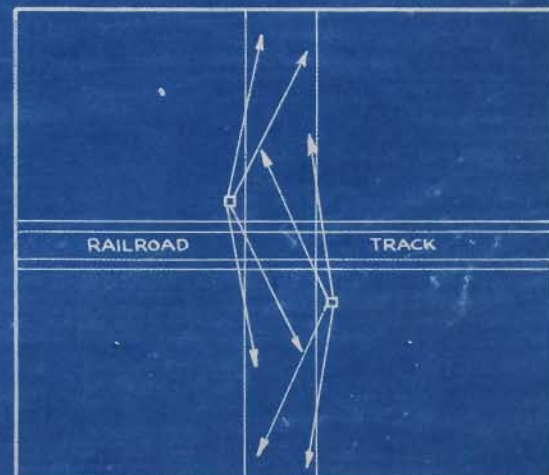


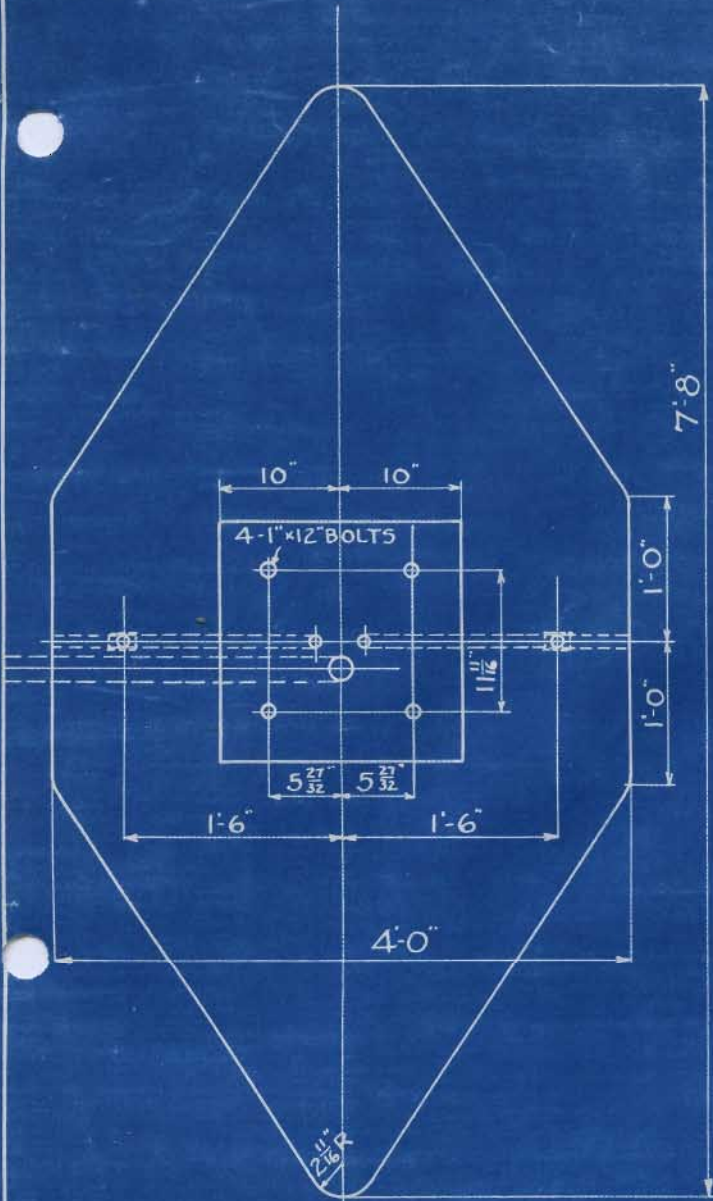
HIGHWAY CROSSING SIGNAL
 WITH FOUR ADJUSTABLE FLASHING LIGHTS
 FOR PROTECTING A CROSSING WITH
 ROADS APPROACHING AS SHOWN IN
 THE KEY MAP AT THE RIGHT.
 SPECIFY CENTER OR SIDE MOUNTING BASE





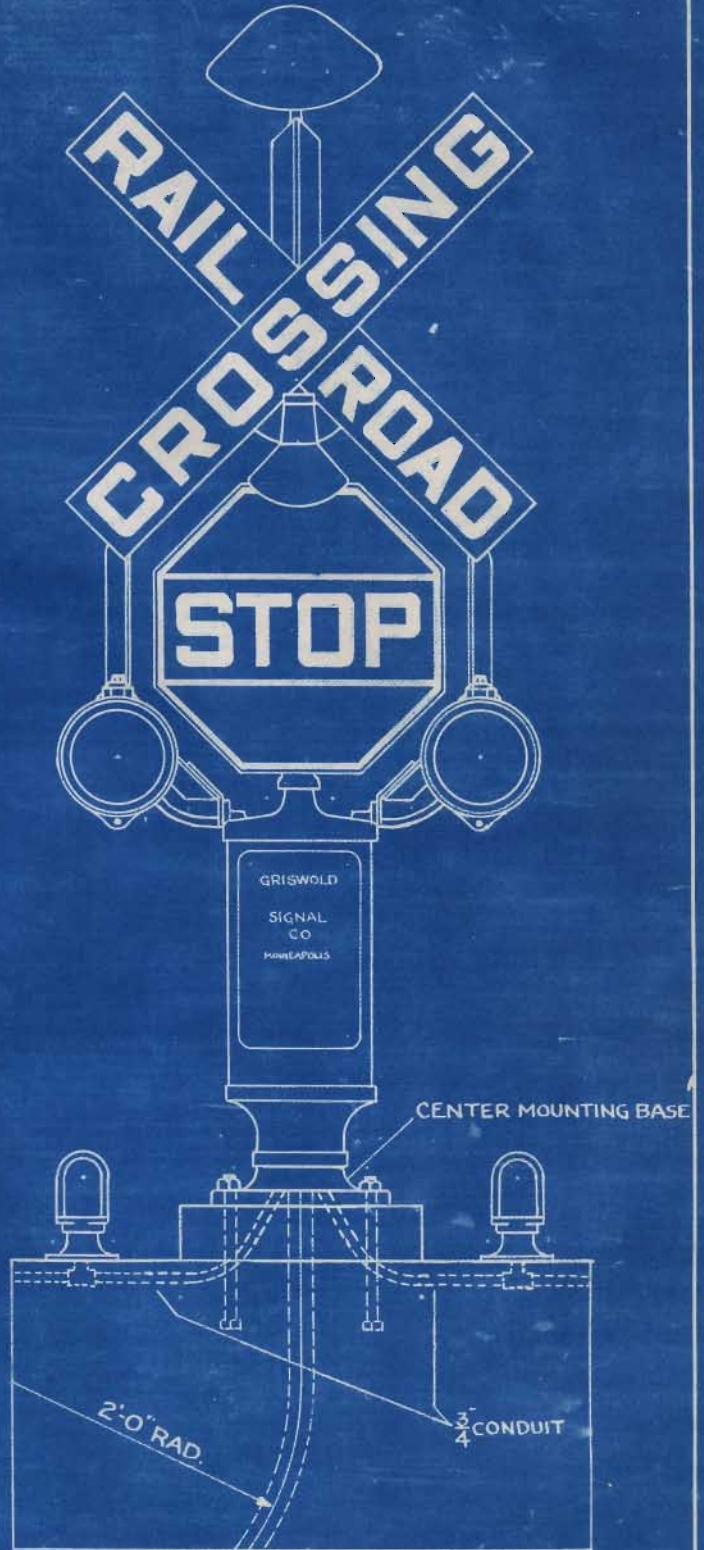
HIGHWAY CROSSING SIGNAL
WITH FOUR ADJUSTABLE FLASHING LIGHTS
BACK TO BACK FOR PROTECTING
EXCEPTIONALLY DANGEROUS CROSSINGS
SEE KEY MAP AT THE RIGHT
SPECIFY CENTER OR SIDE MOUNTING BASE



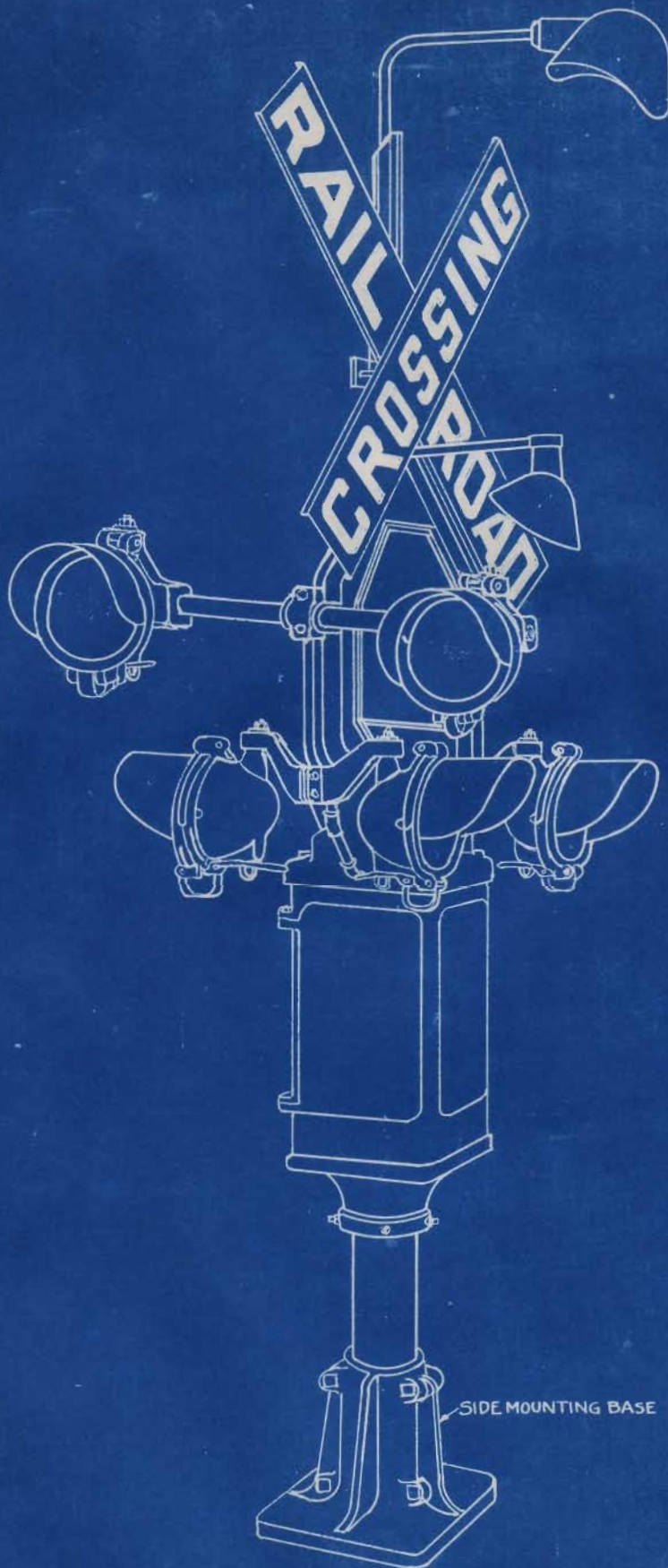


TOP VIEW OF BASE

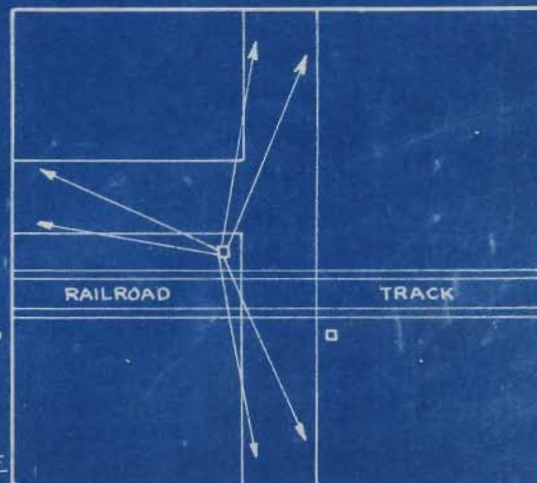
HIGHWAY CROSSING SIGNAL
 CENTER MOUNTING
 SPECIFY CENTER OR SIDE MOUNTING BASE



RAILROAD		TRACK



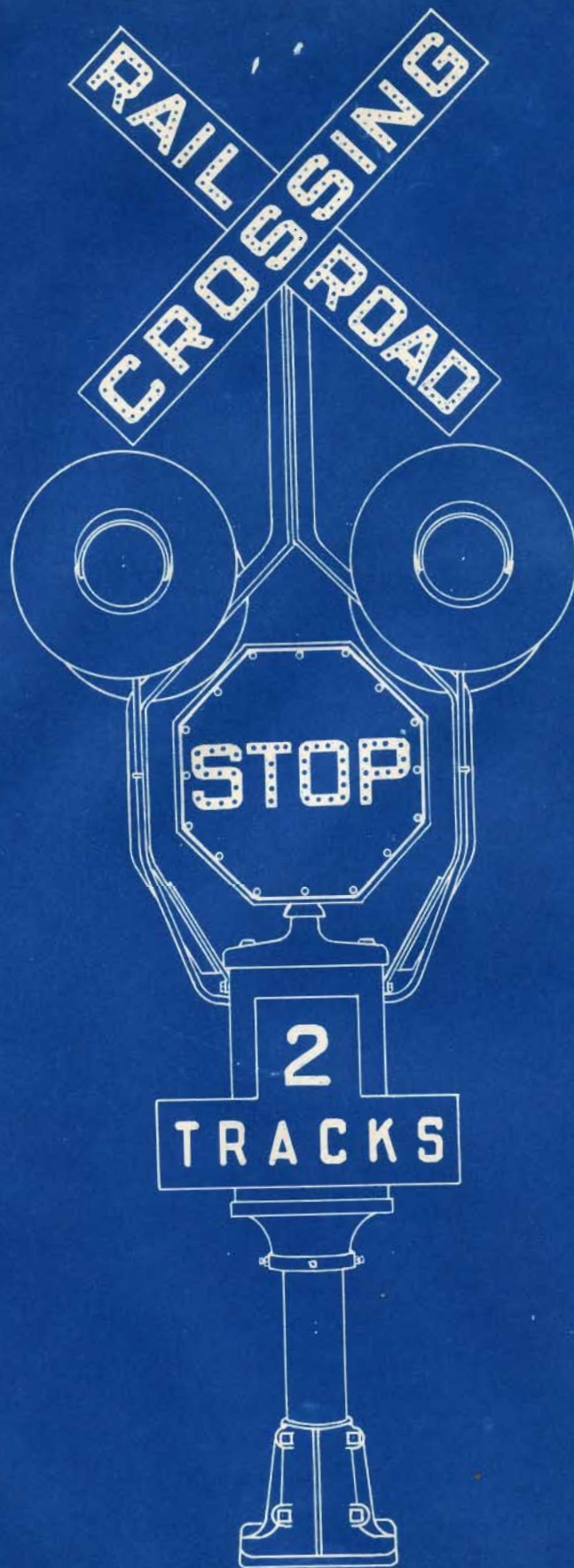
HIGHWAY CROSSING SIGNAL
WITH FOUR ADJUSTABLE FLASHING LIGHTS
BACK TO BACK AND TWO RIGHT ANGLE
LIGHTS FOR PROTECTING A ROAD PARALLEL
TO THE RAILROAD TRACKS
SEE KEY MAP AT THE RIGHT
SPECIFY CENTER OR SIDE MOUNTING BASE



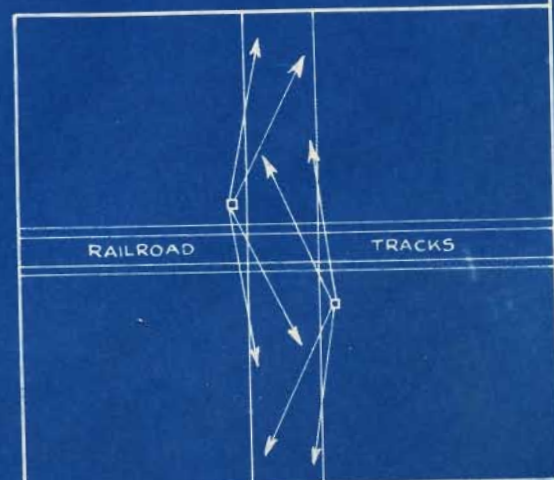


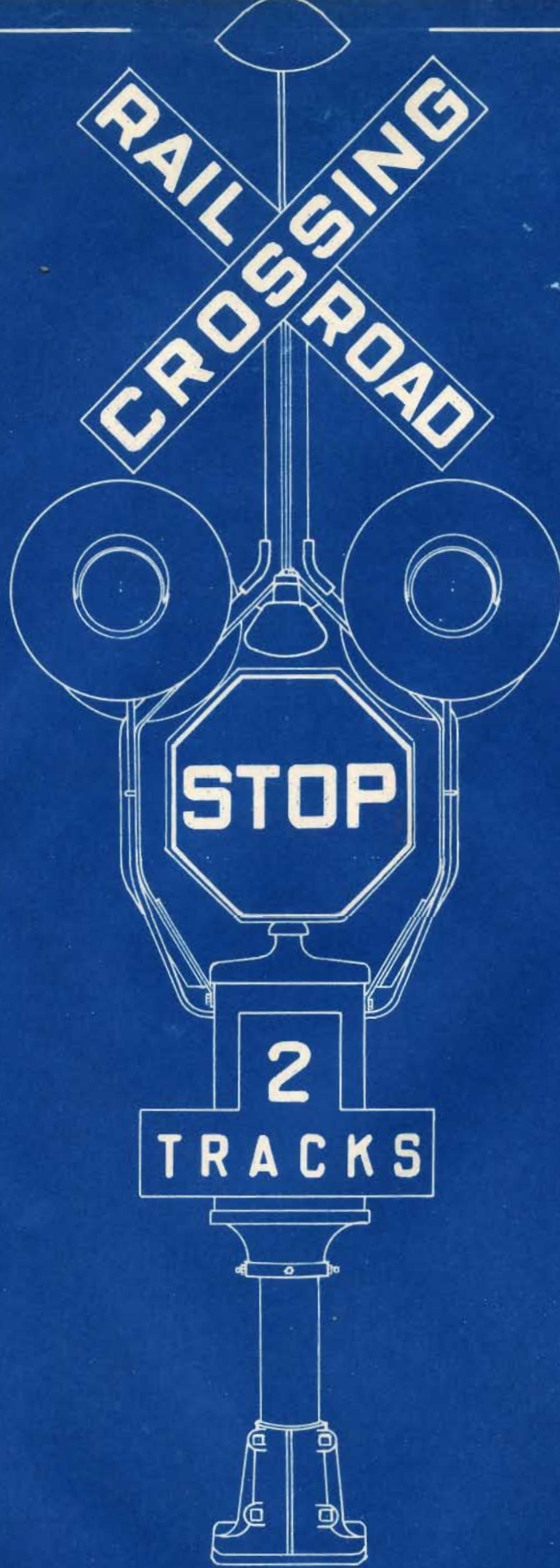
HIGHWAY CROSSING SIGNAL
WITH STOP SIGN FLOODLIGHT

• SPECIFY CENTER OR SIDE MOUNTING BASE

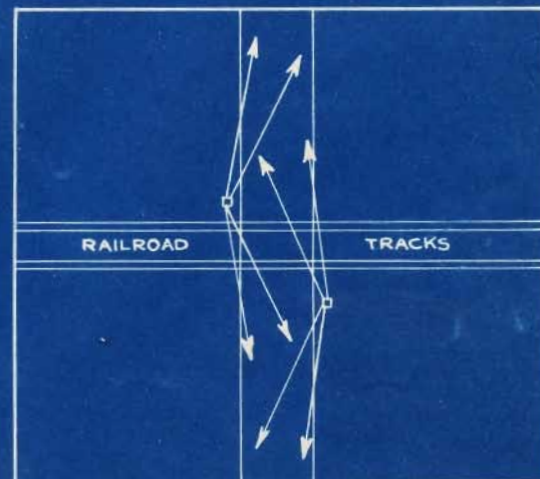


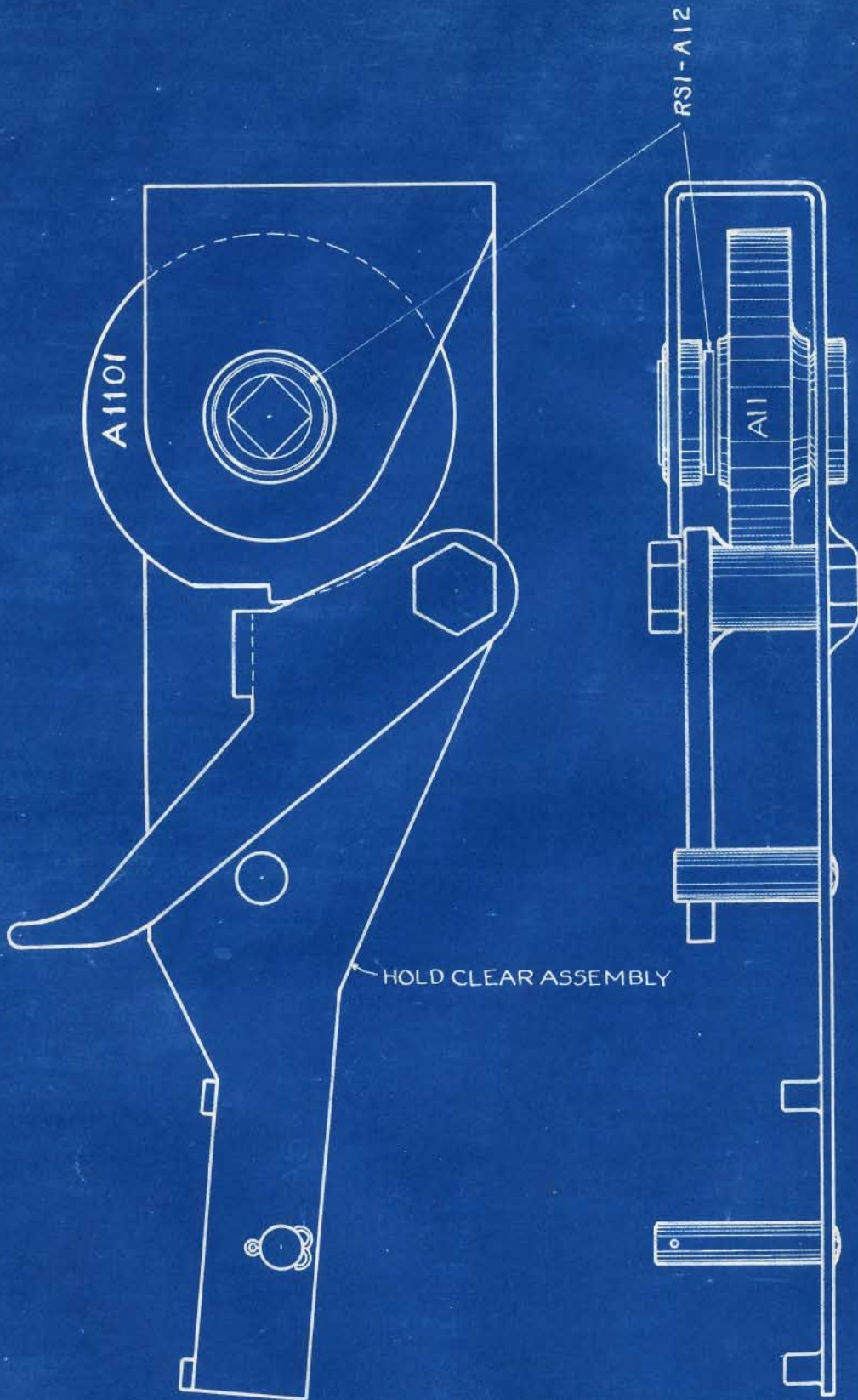
HIGHWAY CROSSING SIGNAL
WITH FOUR ADJUSTABLE SIDE OPENING
FLASHING LIGHTS
REFLECTING BUTTON CROSSBUCK & STOP SIGN
SEE KEY MAP AT THE RIGHT





HIGHWAY CROSSING SIGNAL
WITH FOUR ADJUSTABLE SIDE OPENING
FLASHING LIGHTS. CROSSBUCKS AND
STOP SIGN EQUIPPED WITH FLOOD LIGHTS.
SEE KEY MAP AT THE RIGHT.



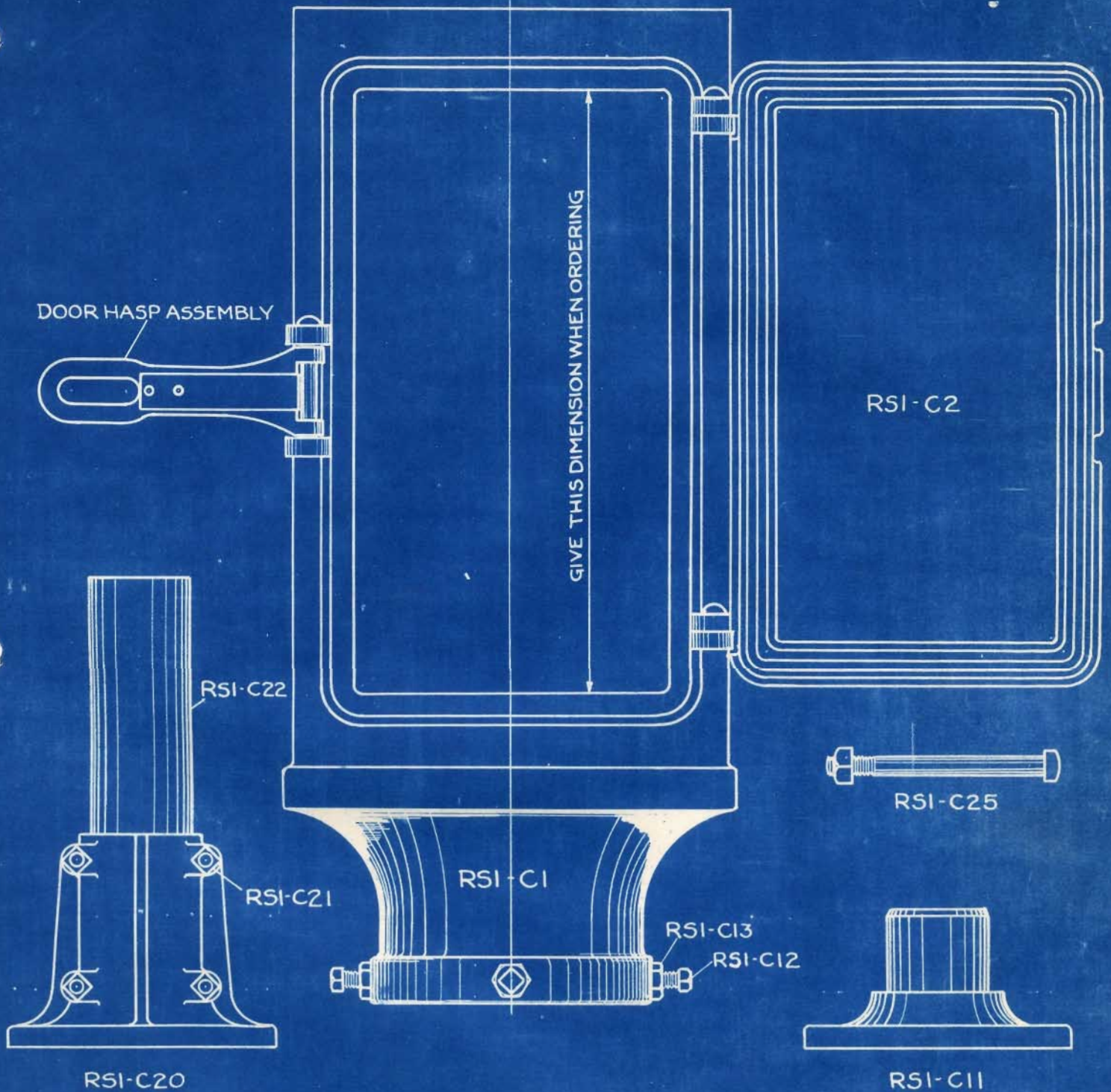


NOTE
 SPECIFY IF FOR SQUARE OR 2 FLAT SIDED SHAFT

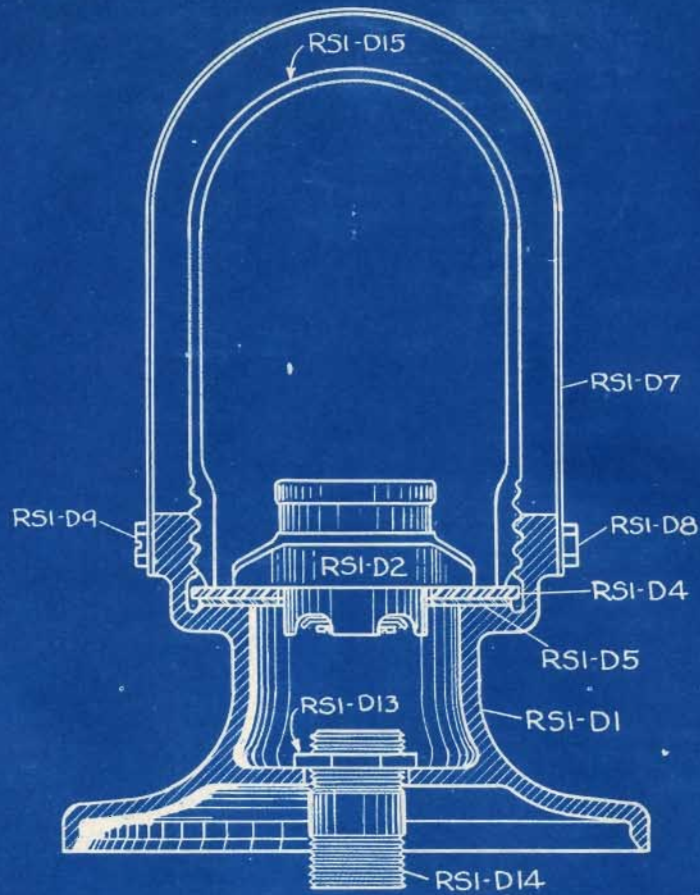
NO	HOLD CLEAR	REQD
	HOLD CLEAR ASSEMBLY	1
RSI-A11	HOLD CLEAR RATCHET	1
RSI-A12	" " FRAME LOOSE BUSHING	1

FOR ORDERS PRIOR TO DEC. 14, 1935
 FOR SUBSEQUENT ORDERS TAKE THE NUMBERS OFF THE CASTING

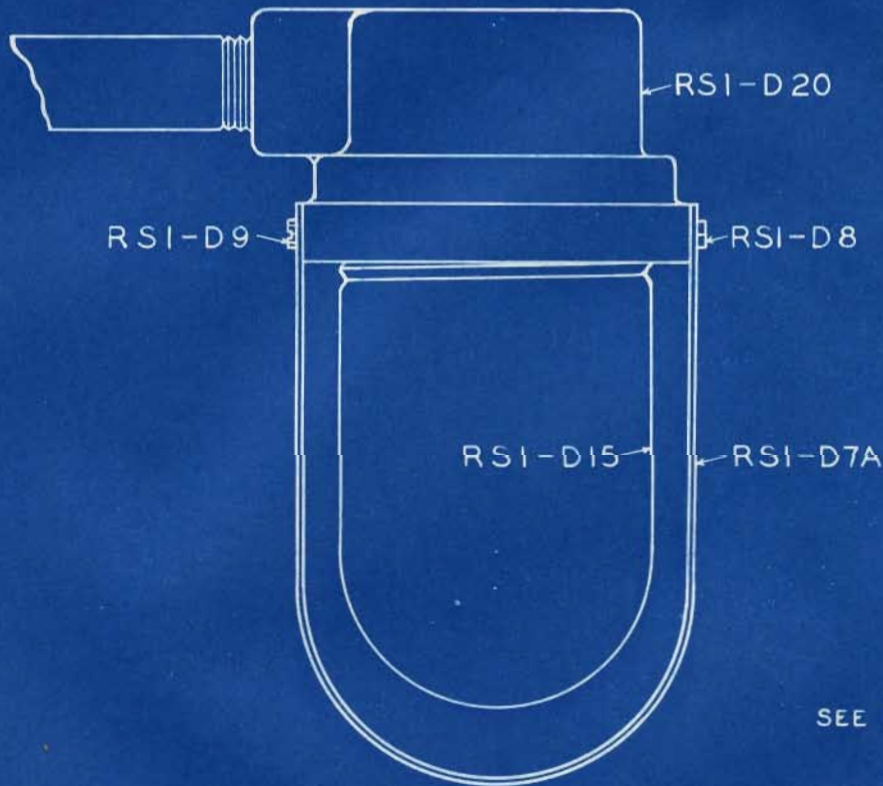
PLATE RSI-C1



NO	CABINET	REQD	NO	REQD	
RSI-C1	CABINET	1	RSI-C15	WEIGHT BUMPER SCREW	1
2	CABINET DOOR	1	17	WEIGHT SHEAVE OIL PLUG	1
	DOOR HASP ASSEMBLY	1	20	BASE CASTING-SIDE MOUNTING	2
8	DOOR PACKING	1	21	" " CLAMP BOLTS	4
11	BASE CASTING CENTER MOUNTING	1	22	BASE PIPE-SIDE MOUNTING	1
12	BASE SET SCREW	4	25	ANCHOR BOLTS	4
13	BASE LOCK NUT	4			
14	WEIGHT BUMPER	1			



NO	BASE LIGHT	REQD	NO		REQD
RSI-D1	BASE LIGHT BASE	2	RSI-D9	BASE LIGHT SCREW SLOTTED	2
2	BASE LIGHT RECEPTACLE	2	10	" " WRENCH	
3	BASE LIGHT RECEPTACLE SCREWS	4	11	" " CONDUIT $\frac{3}{4}$ "	2
3a	" " LOCKWASHERS	4			
4	" " WASHER-RUBBER	2	13	" " LOCKNUT	2
5	" " WASHER-STEEL	2	14	" " NIPPLE $\frac{3}{4}$ "	2
6	" " SCREW	4	15	" " GLOBE-RED	2
7	" " HOOD	2	16	" " " AMBER	
8	" " SCREW-PLAIN	6			

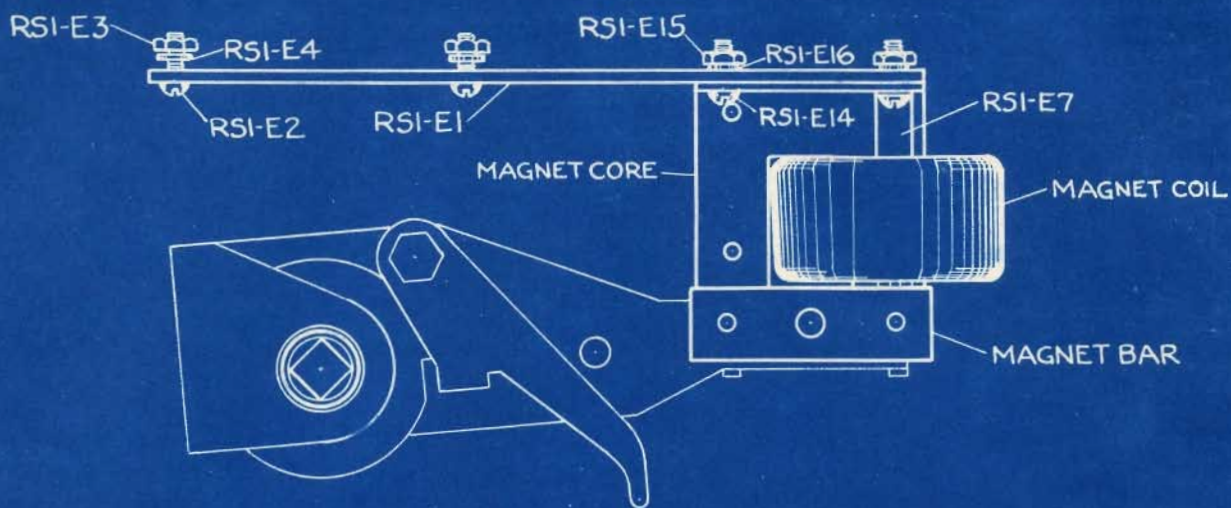


SEE PLATE RSI-D1

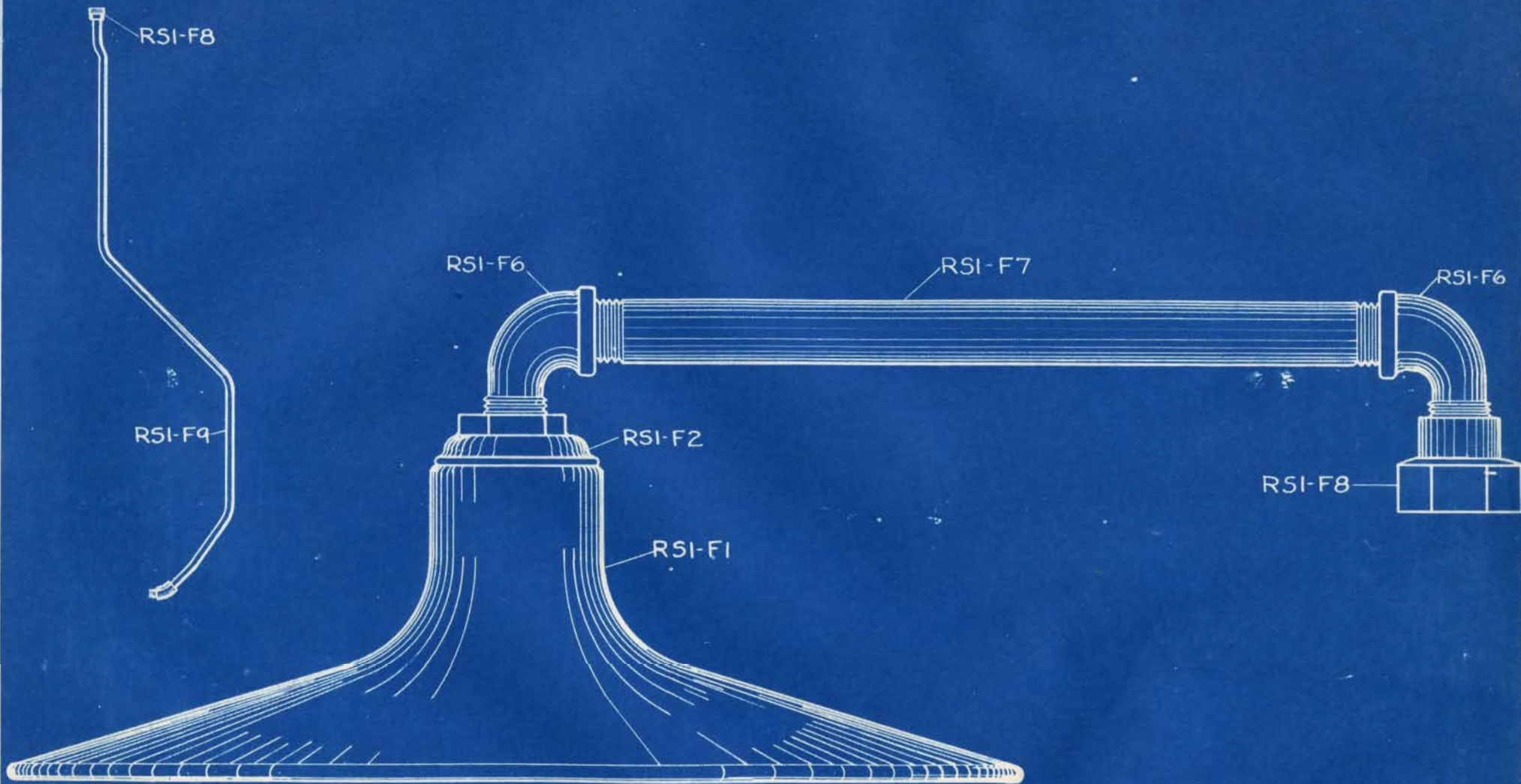
BASE LIGHT

GIVE PLATE NO. WHEN ORDERING

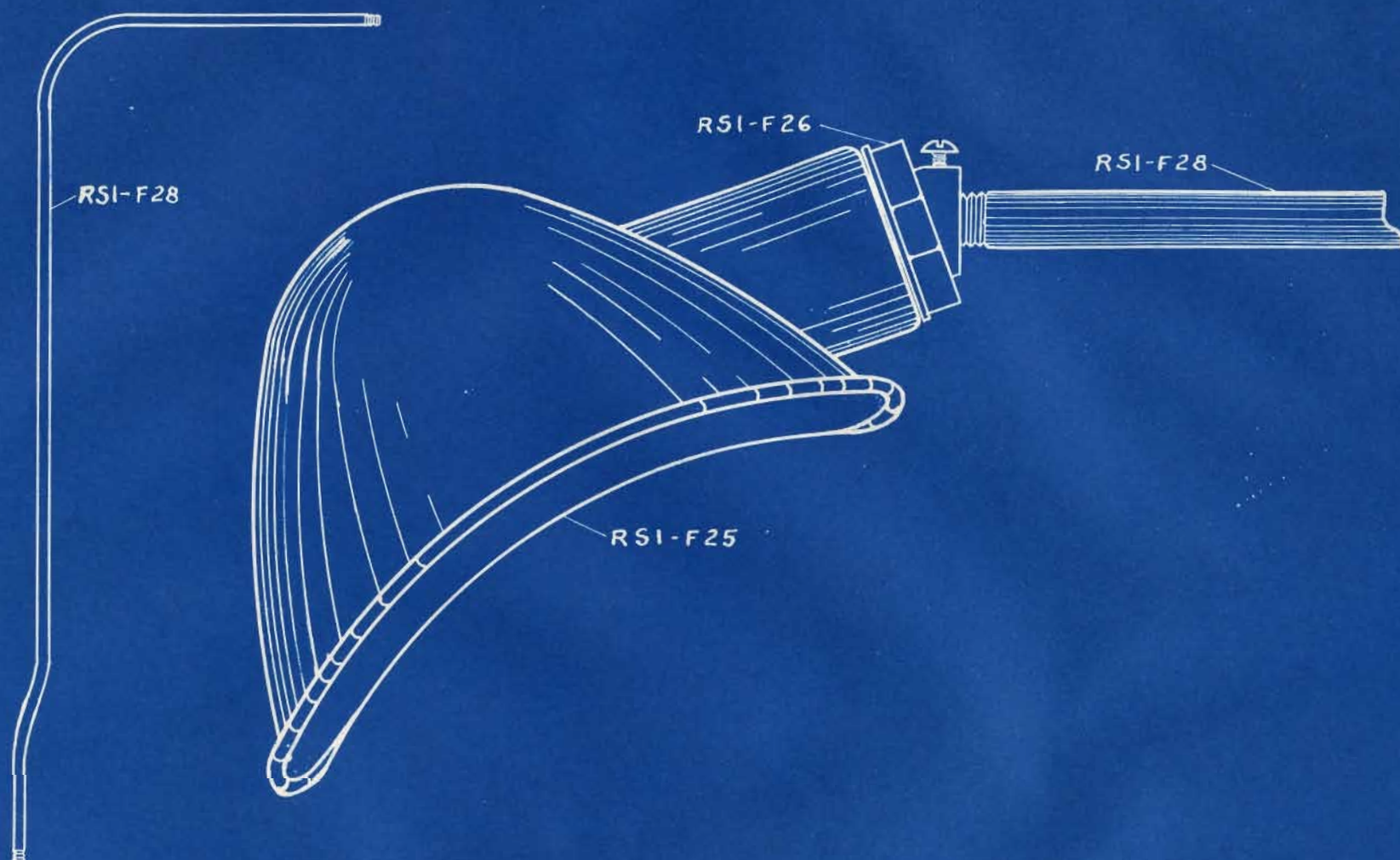
NO.	PART NAME	REQD.	NO.	PART NAME	REQD.
RSI-D20	BASE LIGHT BASE	2	RSI-D8	BASE LIGHT HOOD SCREW PLAIN	6
" D2	" " RECEPTACLE	2	" D9	" " " " SLOTTED	2
" D3	" " " SCREWS	4	" D15	" " GLOBE RED	2
" D3A	" " " LOCKWASHERS	4	" D16	" " " " AMBER	
" D4	" " " WASHER - RUBBER	2			
" D5	" " " STEEL	2			
" D6	" " " SCREW	4			
" D7A	" " " HOOD	2			



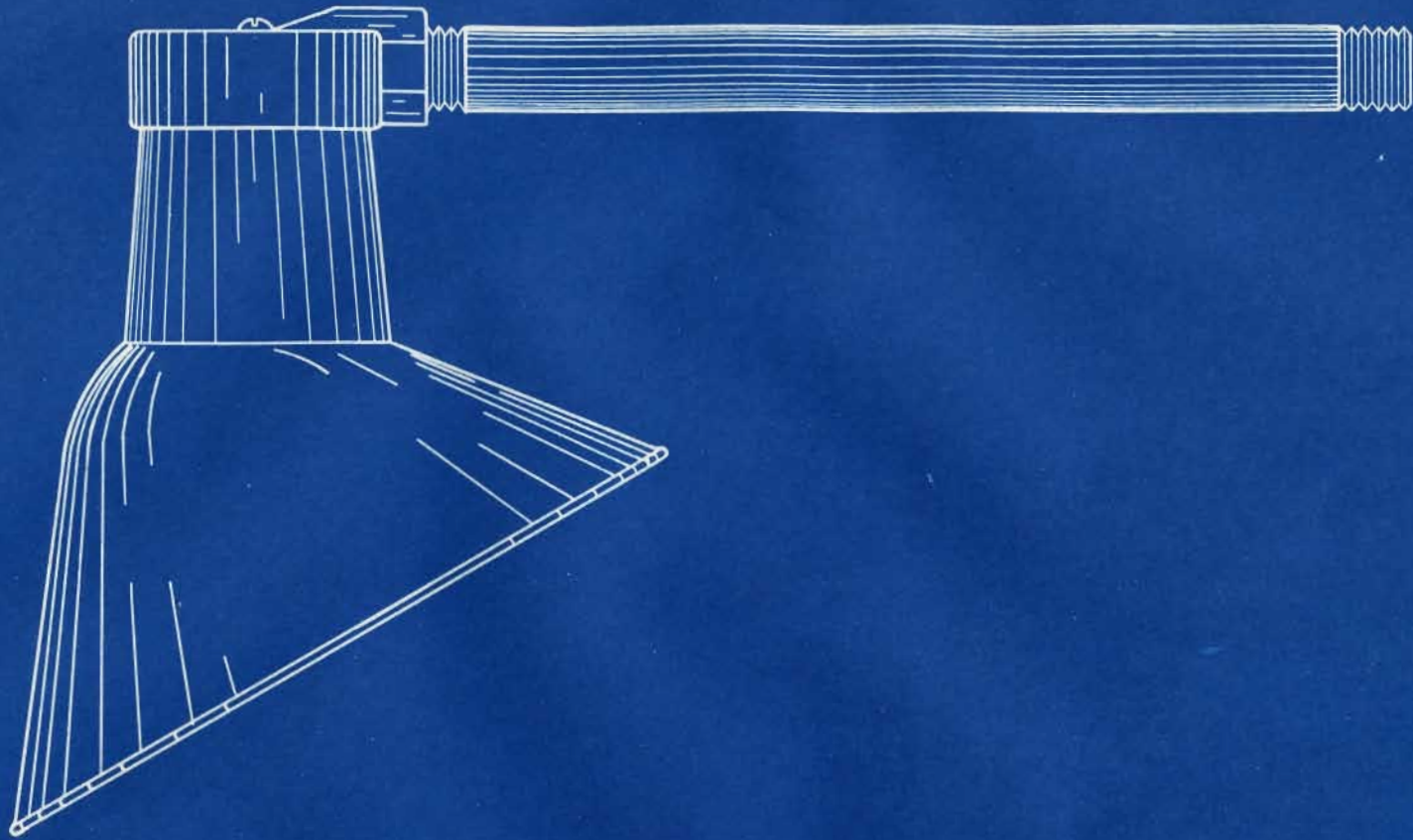
NO	MAGNET	REQD	NO	REQD	
RSI-E1	MAGNET BRACKET	1	RSI-E14	MAGNET CORE SCREWS	4
2	" " SCREWS	4	15	" " NUTS	4
3	" " NUTS	4	16	" " LOCKWASHERS	4
4	" " LOCKWASHERS	4		MAGNET BAR-AC.	1
5	MAGNET COIL-AC	1		" " D.C.	1
6	MAGNET COIL-DC	1			
7	" " RETAINER	2			
	MAGNET CORE-AC.	1			
	MAGNET CORE-DC.	1			
12	MAGNET CORE SHADING COIL-AC.	1			
13					



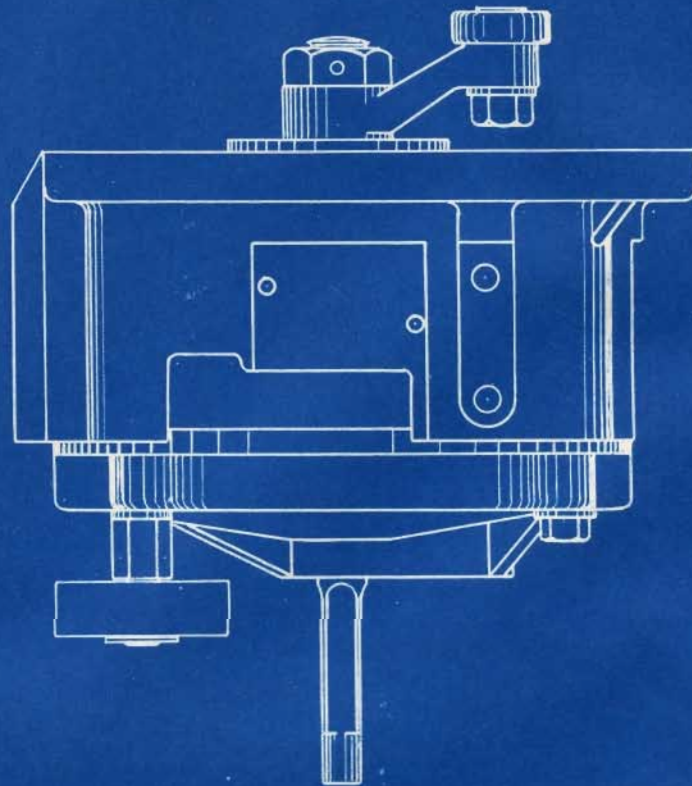
NO	FLOODLIGHT	REQD	NO		REQD
RSI-F1	FLOODLIGHT REFLECTOR	1	RSI-F9	FLOODLIGHT FORMED CONDUIT	1
2	" " SOCKET	1	12	" D.C. ADAPTER	1
4	" WIRES				
6	" STREET ELBOW	2			
7	" CONDUIT	1			
8	" UNION	1			



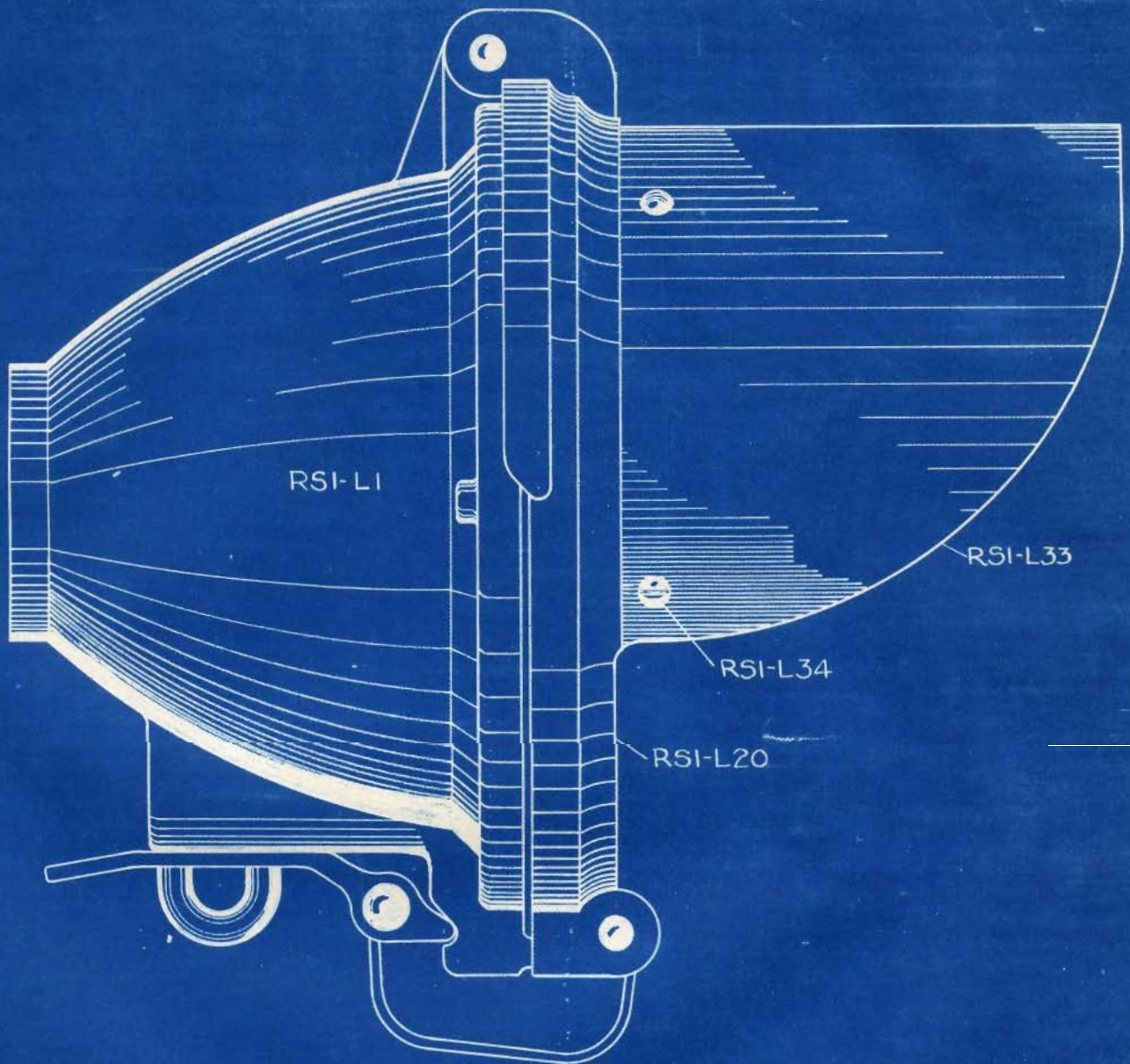
No	FLOODLIGHT	REQD					
RSI-F25	FLOODLIGHT REFLECTOR	1					
26	" " SOCKET	1					
27	" WIRES						
28	" FORMED CONDUIT	1					
12	" DC ADAPTER	1					



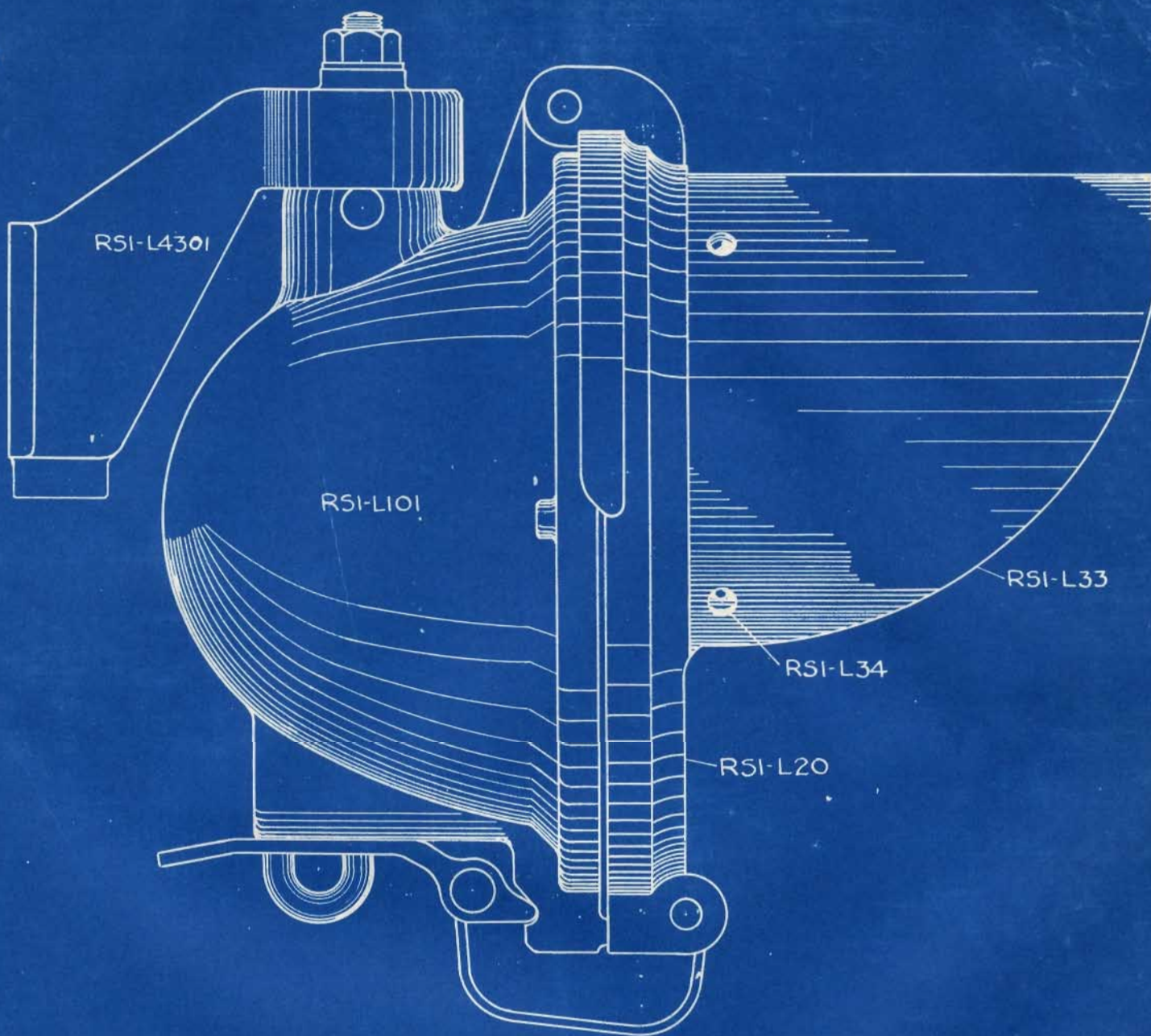
No	STOP SIGN FLOODLIGHT	REQD.					
RSI-F50	FLOODLIGHT REFLECTOR	1					
51	" " SOCKET	1					
52	" WIRES						
53	" CONDUIT	1					
12	" DC ADAPTER	1					



NO	GEAR HOUSING	REOD	NO	REOD
	GEAR HOUSING COMPLETE	1		



NO	STATIONARY FLASHING LIGHT	REQD	NO		REQD
RSI-L1	LAMP HOUSING ASSEMBLY	1	RSI-L32	LENSE CLIP LOCKWASHER	4
6	LAMP RECEPTACLE	1	33	LAMP VISOR	1
14	REFLECTOR - GLASS	1	34	" " SCREWS	4
15	" FELT	4	35	" " LOCKWASHERS	4
16	" CLIPS	4	39	LAMP WIRES	2
17	" " SCREWS	4			
18	" " LOCKWASHERS	4			
19	D.C. ADAPTER	1			
20	LAMP DOOR ASSEMBLY	1			
21	" " PACKING	1			
28	LENSE - PLAIN	1			
29	" PACKING	1			
30	" CLIPS	4			
31	" " SCREWS	4			



NO	ADJUSTABLE FLASHING LIGHT	REQD	NO	REQD	
RSI-L101	LAMP HOUSING ASSEMBLY	1	RSI-L32	LENSE CLIP LOCKWASHERS	4
6	LAMP RECEPTACLE - AC OR DC	1	33	LAMP VISOR	1
14	REFLECTOR - METAL - AC OR DC	1	34	" " SCREWS	4
			35	" " LOCKWASHERS	4
17	" " SCREWS	4	4301	ADJUSTABLE LAMP BRACKET	1
18	" " LOCKWASHERS	4	44	" " " BOLTS	4
			45	" " " LOCKWASHER	4
20	LAMP DOOR ASSEMBLY	1			
21	" " PACKING	1			
28	LENSE - PLAIN	1			
29	" GASKET	1			
30	" CLIPS	4			
31	" " SCREWS	4			



RSI-L6-DC



RSI-L6-DCA



RSI-L6-AC



RSI-L6-ACA



RSI-LI9

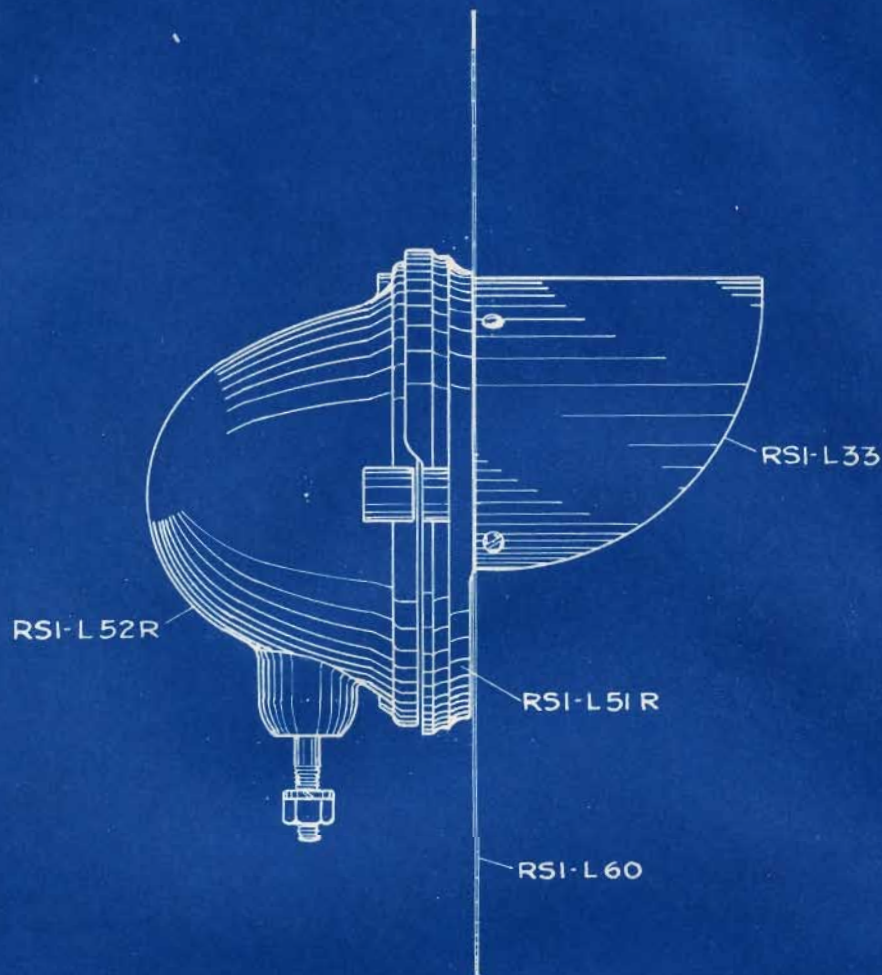


RSI-L6



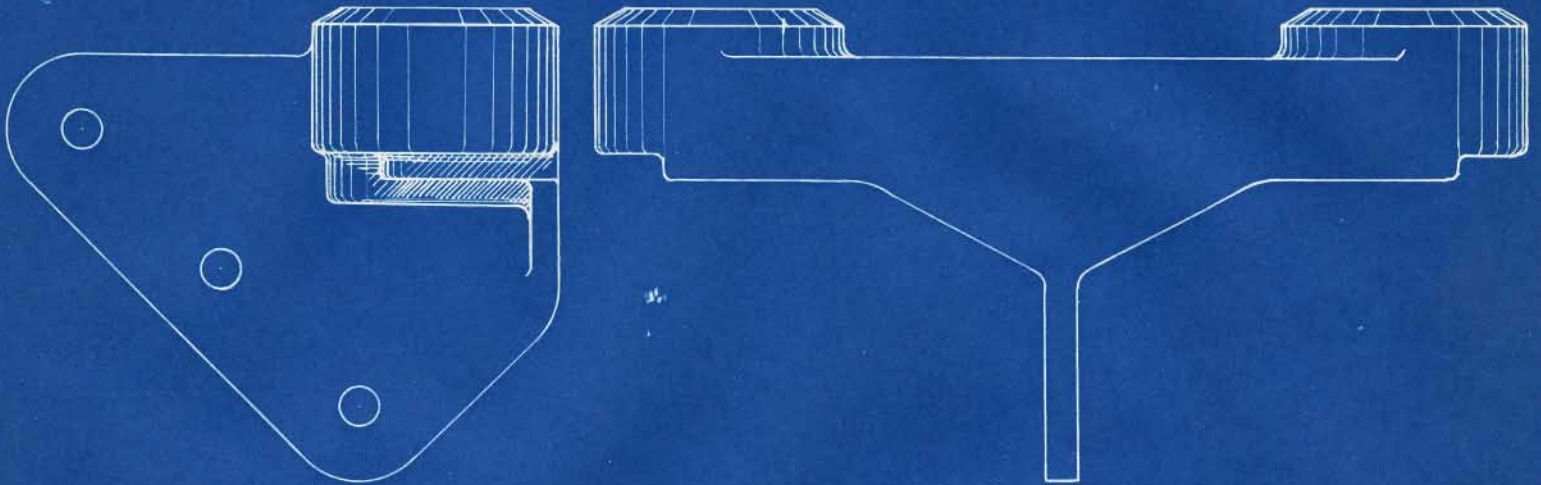
REFLECTORS & RECEPTACLES

PART NO.	PART NAME		
RSI-L6	RECEPTACLE FOR GLASS REFLECTOR		
" L6-DC	" DC " METAL "		
" L6-DCA	" " INSULATOR		
" L6-AC	" AC FOR METAL "		
" L6-ACA	" " INSULATOR		
LI4	GLASS REFLECTOR		
LI4-DC	METAL " DC		
LI4-AC	" " AC		
LI9	DC ADAPTER		



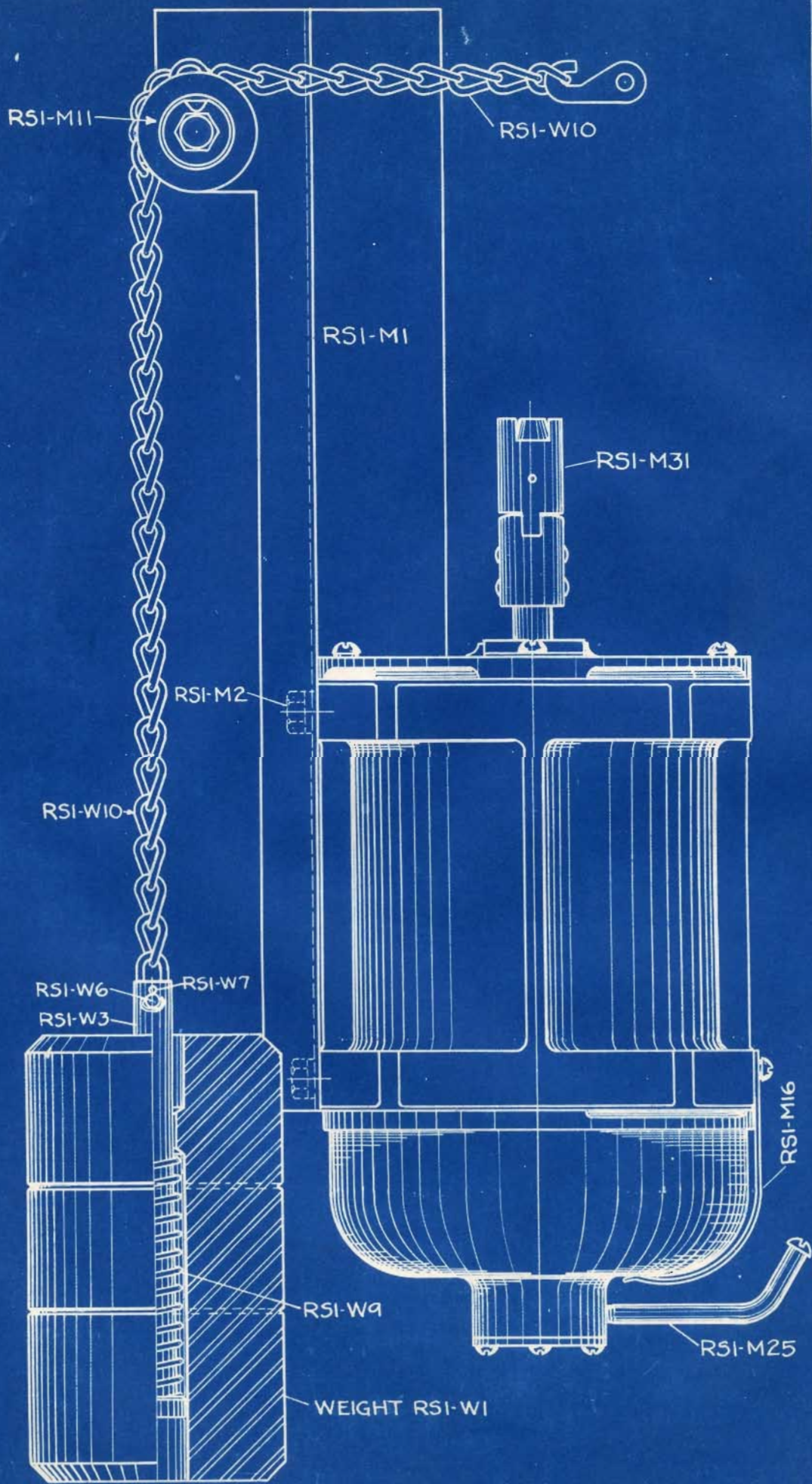
FLASHING LIGHT - SIDE OPENING
RIGHT HAND LAMP SHOWN

NO	DESCRIPTION	REQD	NO	DESCRIPTION	REQD
	LAMP ASSEMBLY COMPLETE	1	RSI-L28	LENSE	1
	SPECIFY A.C., D.C., RIGHT OR LEFT HAND		RSI-L29	LENSE GASKET	1
RSI-L52R	LAMP HOUSING - RIGHT HAND	1	30	LENSE CLIPS	4
RSI-L52L	LAMP HOUSING - LEFT HAND	1	31	LENSE CLIP SCREWS	4
	LAMP RECEPTACLE - SEE PLATE R51-L3		32	LENSE CLIP LOCKWASHERS	4
	LAMP RECEPTACLE INSULATOR "		33	LAMP VISOR	1
	REFLECTOR "		34	LAMP VISOR SCREWS	4
RSI-L51R	LAMP DOOR - RIGHT HAND	1			
RSI-L51L	LAMP DOOR - LEFT HAND	1	RSI-L60	LAMP BACKGROUND	1
	LAMP DOOR PACKING	1			
	LAMP DOOR HINGE PIN	1			
	LAMP DOOR LOCK SCREW	1			



TWIN ADJUSTABLE LAMP BRACKET
RSI-L50

NO	DESCRIPTION	REQD	NO	DESCRIPTION	REQD
RSI-L50	LAMP BRACKET COMPLETE	1			
	LAMP BRACKET BOLTS	3			
	LAMP BRACKET LOCKWASHERS	3			



NO	MOTOR	REQD	NO	WEIGHT	REQD	NO	WEIGHT	REQD	NO	WEIGHT	REQD
RSI-M1	MOTOR HANGER	1	RSI-W1	WEIGHT A.C.	1	RSI-W10	WEIGHT CHAIN	1			1
2	" " SCREW	11	2	" D.C.	1	11	" SHEAVE	1			1
16	MOTOR END COVER RETAINER	1	3	" ROD	1			1			
17	" BRUSHES	2	6	" PIN	1			1			
25	" OIL PIPE	1	7	" " COTTER PIN	1			1			
31	" UNIVERSAL COUPLING	1	9	" SPRING	1			1			

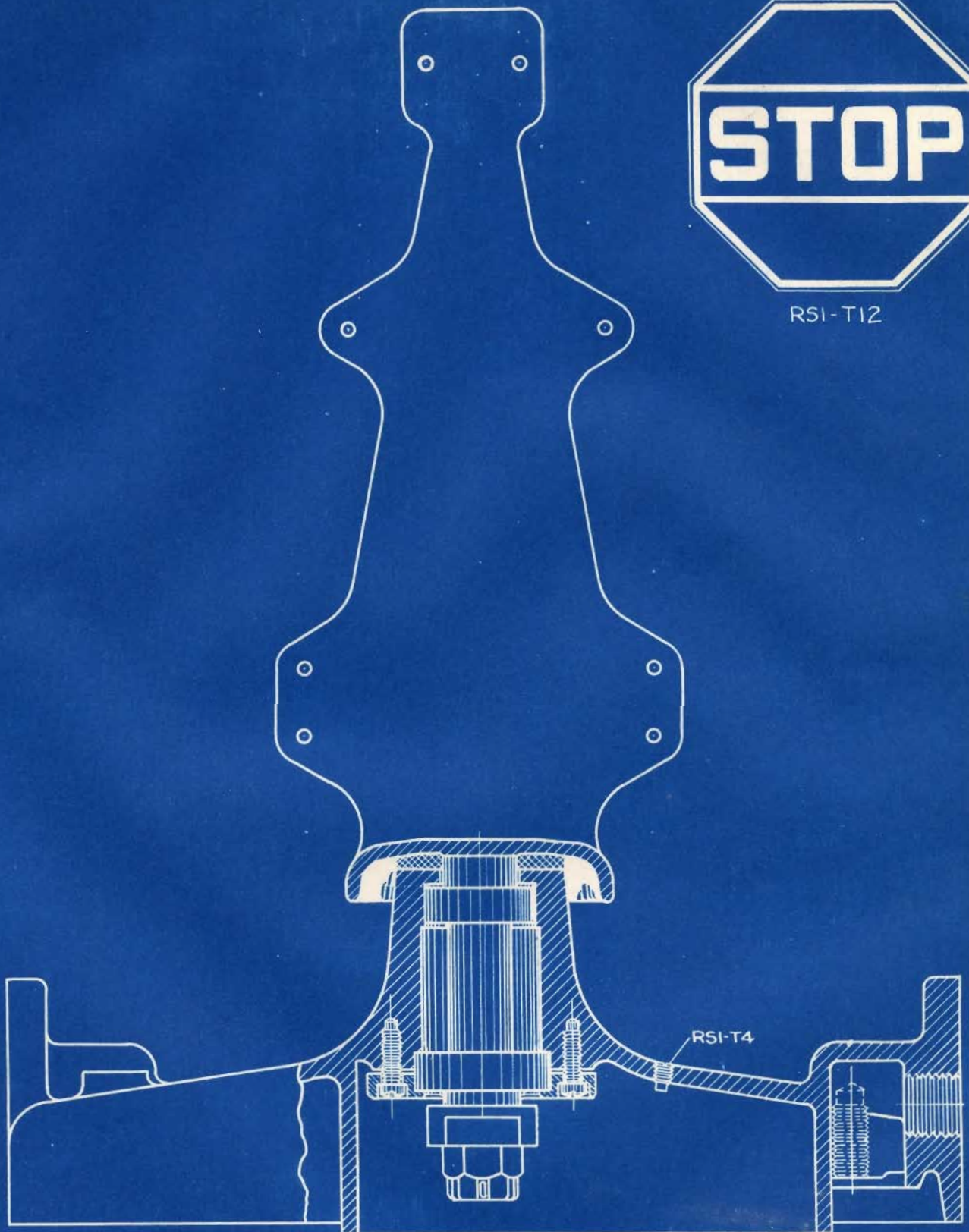


REFLECTOR
CROSS ARMS

NO	DESCRIPTION	REQD	NO	DESCRIPTION	REQD
	CROSS ARMS COMPLETE	1		CROSS ARM TIE BOLT WASHER	2
RSI-R1	"RAILROAD" ARM	1	"	" BOLT SPACER	4
	" " FELT	2	"	" REFLECTOR BUTTON	178
R2	"CROSSING" ARM	1	"	" CLAMP BOLT	2
	" " FELT	1			
	CROSS ARM BUTTON RETAINER PLATE	2			
R3	" " SPACING BLOCK	1			
R4	" " BACK STRAP	1			
	" " BOLT - THEFT RESISTING	16			
	" " TIE BOLT	2			



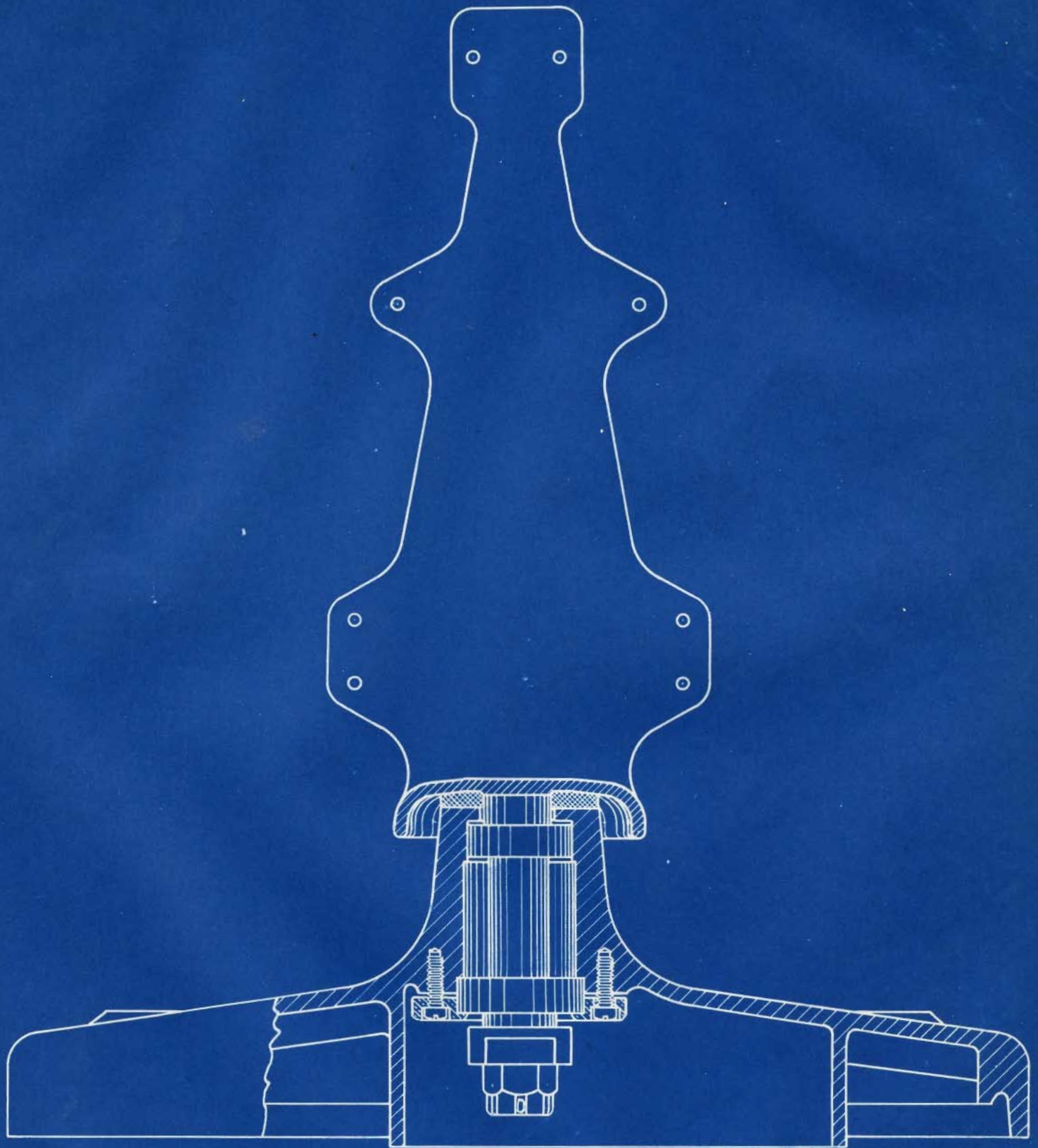
RSI-T12



NO.	CABINET TOP	REQD	NO	REQD
	CABINET TOP ASSEMBLY	1	RSI-T4	CABINET TOP OIL SCREW
RSI-T12	STOP SIGN	1		
13	STOP SIGN SCREWS	8		



RSI-T1202 REFLECTOR STOP SIGN



CABINET TOP

NO	DESCRIPTION	REOD	NO	DESCRIPTION	REOD
	CABINET TOP ASSEMBLY	1			

SPINDLE REVOLVES ON TWO SINGLE ROW DEEP GROOVE SUPER-CONRAD BEARINGS

GEARING

CHROME-NICKEL STEEL SPUR GEARS OPERATING ON AN ANNULAR GEAR 16 DIAMETRAL PITCH ENTIRELY ENCLOSED

CIRCUIT CONTROLLER

QUICK BREAK TYPE POSITIVELY DRIVEN BY THE MECHANISM

MAGNETIZING COIL

CONSTRUCTED IN ACCORDANCE WITH A.A.R. SPECIFICATIONS.

CLUTCH

ADJUSTABLE DRY PLATE TYPE

UNIVERSAL JOINT

MOTOR

DIRECT CURRENT VERTICAL, SERIES WOUND, BALL BEARING MOUNTED ROTOR

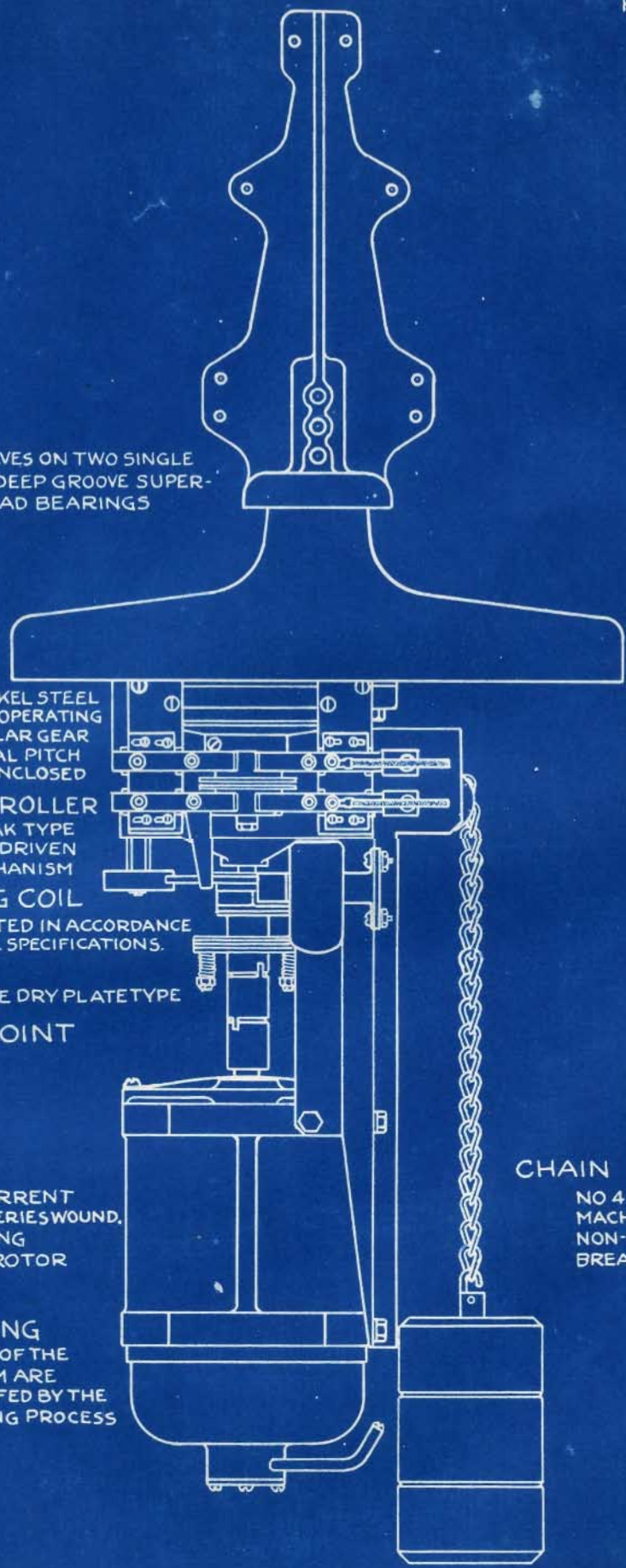
RUST PROOFING

ALL PARTS OF THE MECHANISM ARE RUST-PROOFED BY THE PARKERIZING PROCESS

CHAIN

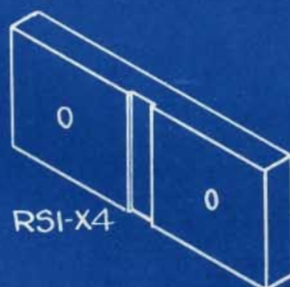
NO 4 LIBERTY TWIST LINK MACHINE CHAIN, TEMPERED, NON-STRETCHABLE, 1000* BREAKING STRENGTH

HIGHWAY CROSSING SIGNAL MECHANISM

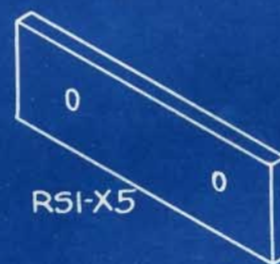




RSI-X3



RSI-X4



RSI-X5



RSI-X6



RSI-X8



RSI-X9

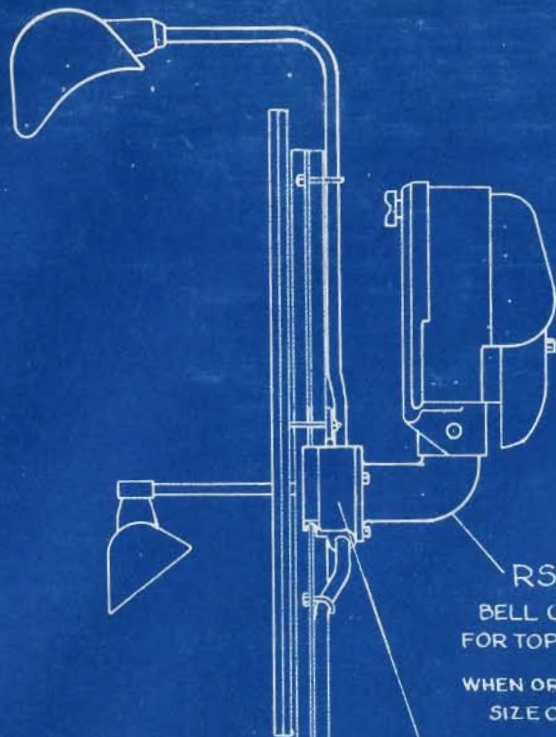


RSI-X10



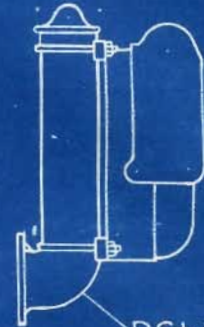
RSI-X7

NO	CROSS ARMS	REQD		REQD	
RSI-X1	RAILROAD ARM	1	RSI-X9	CROSS ARM TIE CLIP - LONG	1
2	CROSSING ARM	1	10	" " " " SHORT	1
3	CROSS ARM SPACER	4	11	" " " " SCREW - LONG	2
4	" " SPACING BLOCK	1	12	" " " " " SHORT	2
5	" " BACK PLATE	1	13	" " " " NUTS	4
6	" " SHORT BOLT	2	14	" " " " LOCKWASHER	4
7	" " " " WASHER	2	15		
8	" " LONG BOLTS	2	16		



RSI-X19
BELL GOOSE NECK
FOR TOP MOUNTING BELL

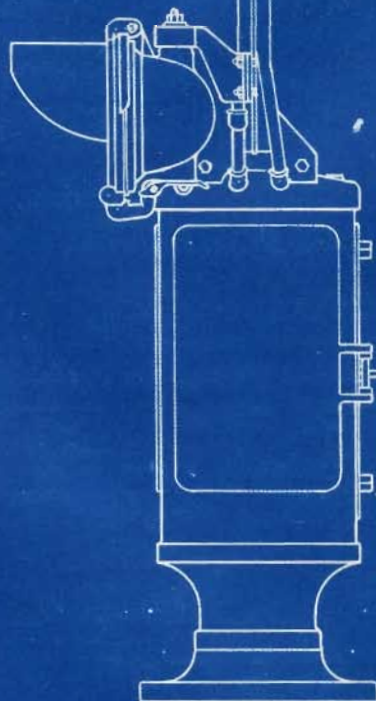
WHEN ORDERING SPECIFY
SIZE OF BELL NECK

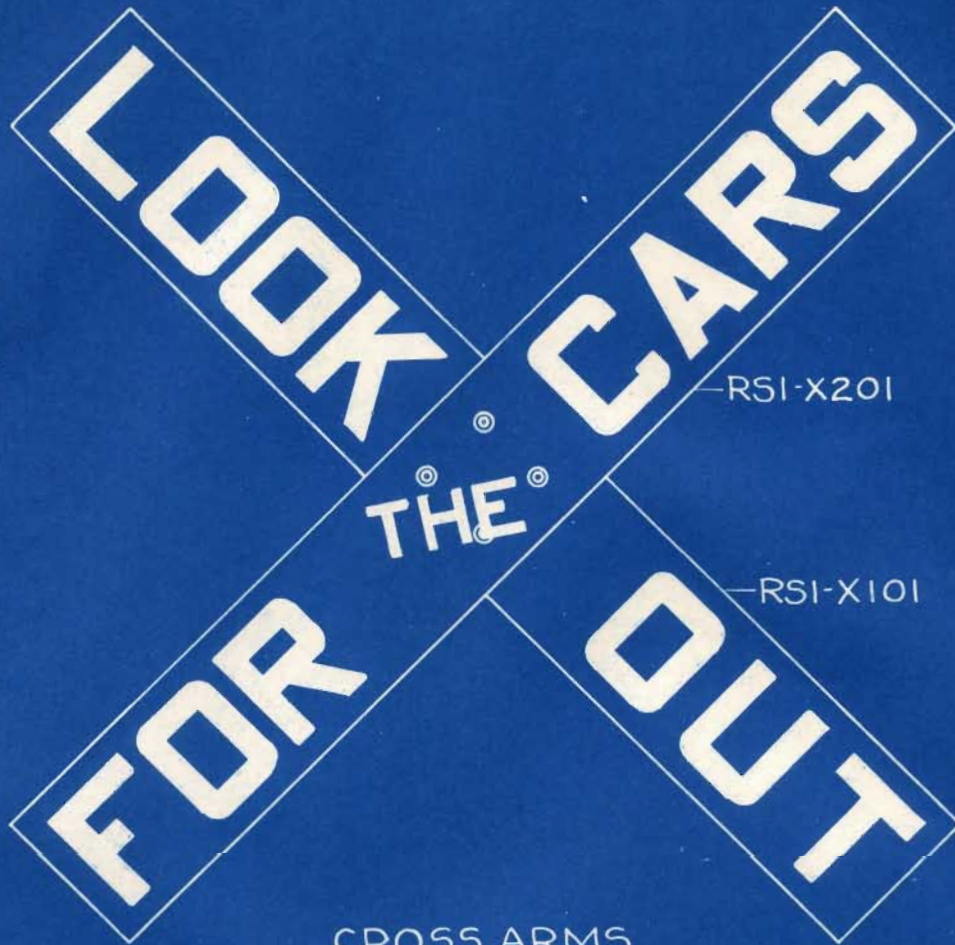


RSI-X20
BELL GOOSE NECK
FOR SIDE MOUNTING BELL



RSI-X18
COVER FOR RSI-X17 WHEN
NO BELL IS USED



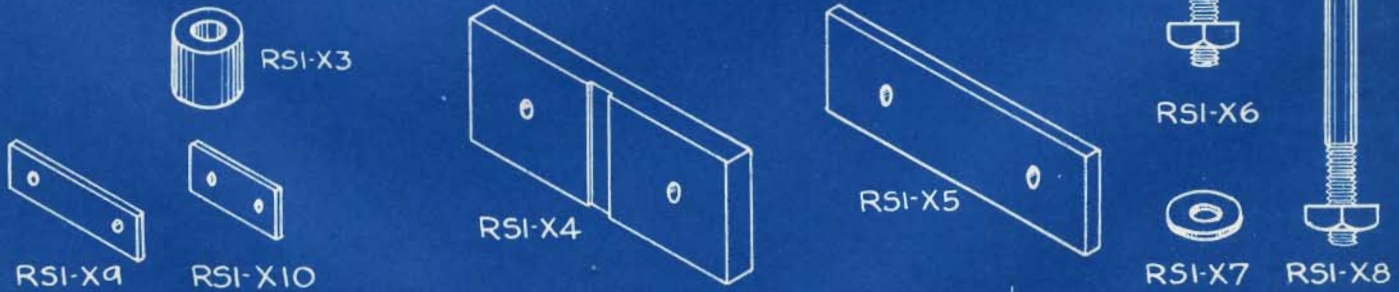


RSI-X201

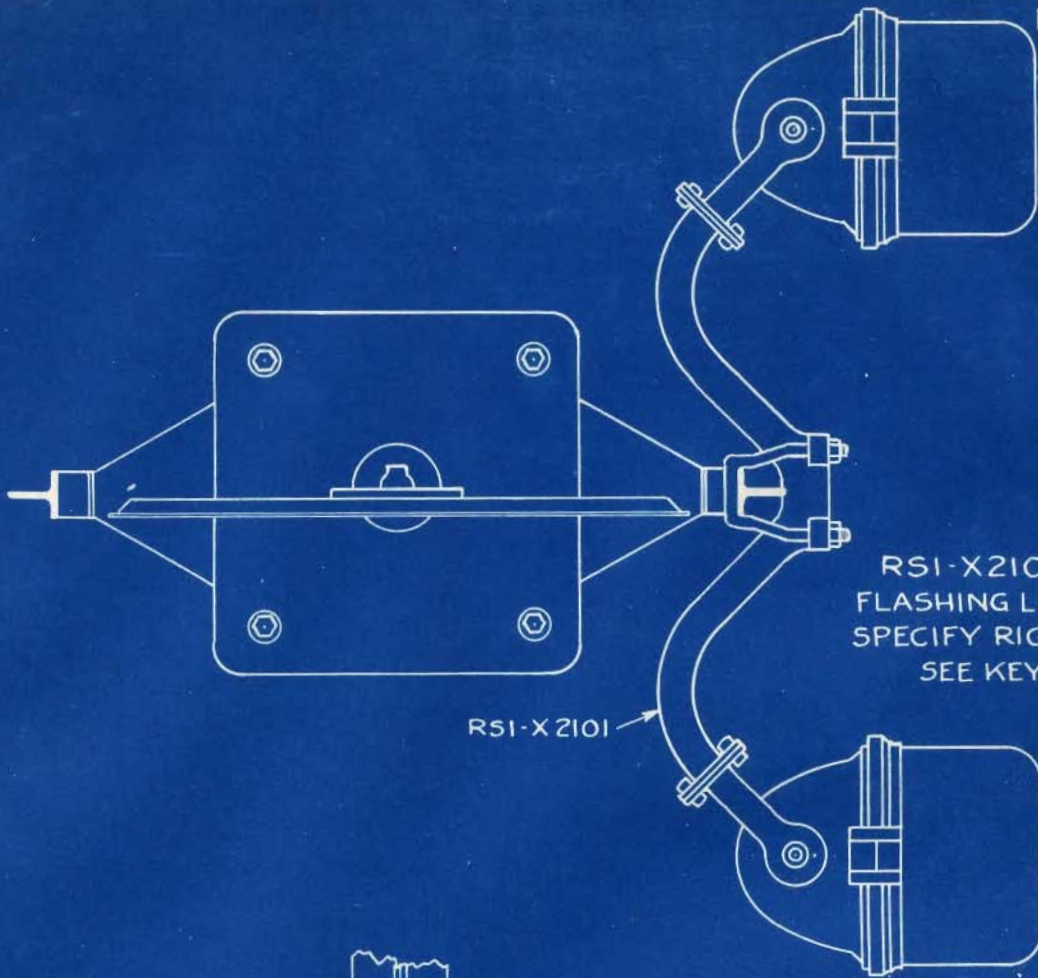
RSI-X101

CROSS ARMS

STATE OF WISCONSIN SPECIFICATIONS

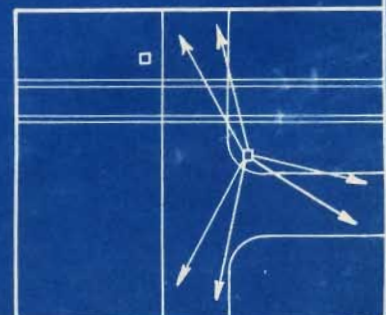
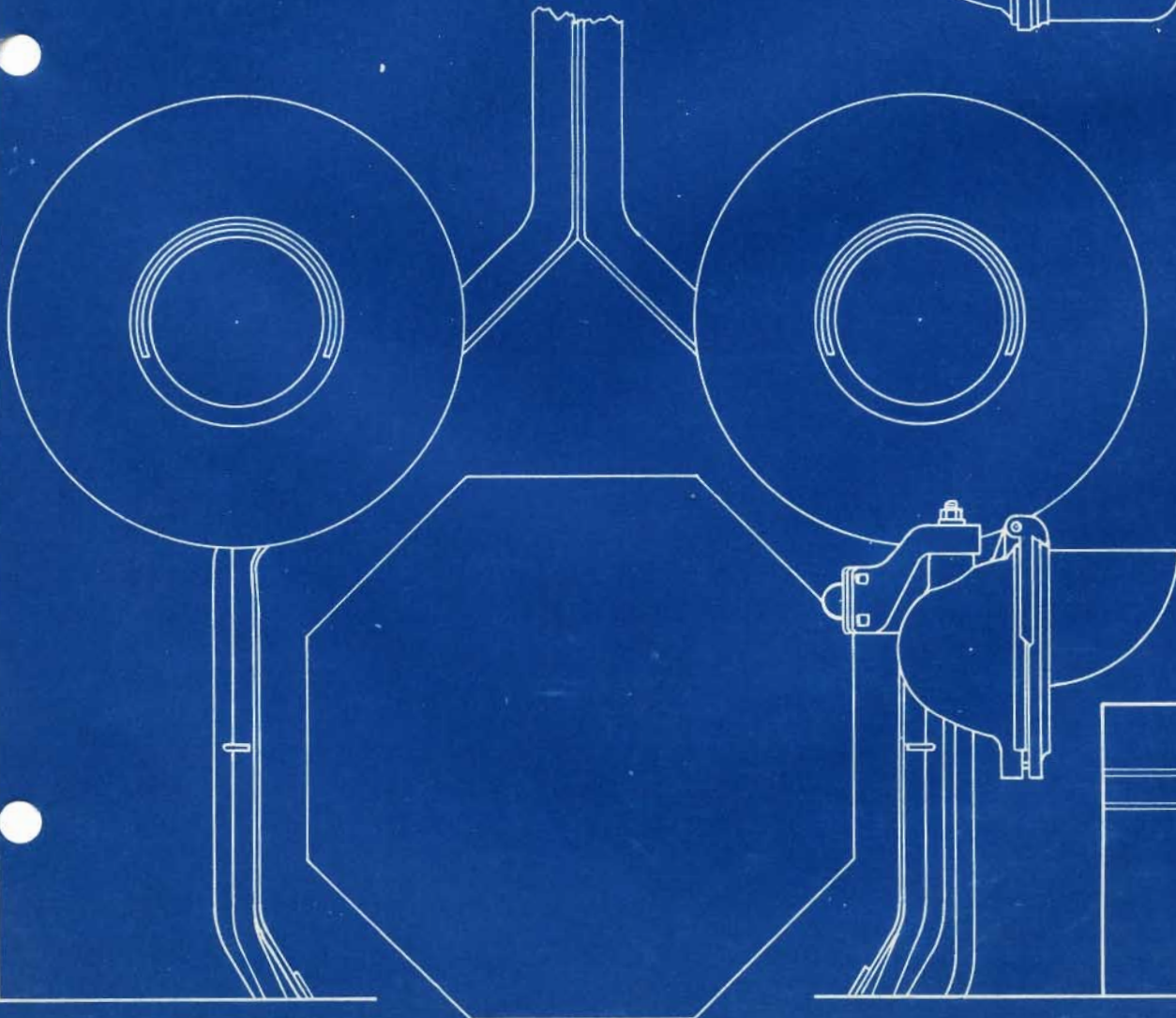


NO	CROSS ARMS	REQD	NO	REQD
RSI-X101	LOOK OUT ARM	1	RSI-X11	CROSS ARM TIE CLIP SCREW-LONG 2
201	FOR THE CARS ARM	1	12	" " " " " -SHORT 2
3	CROSS ARM SPACER	4	13	" " " " " NUT 4
4	" " SPACING BLOCK	1	14	" " " " " LOCKWASHER 4
5	" " BACK PLATE	1		
6	" " SHORT BOLT	2		
7	" " " " WASHER	2		
8	" " LONG BOLTS	2		
9	" " TIE CLIP-LONG	1		
10	" " " " -SHORT	1		



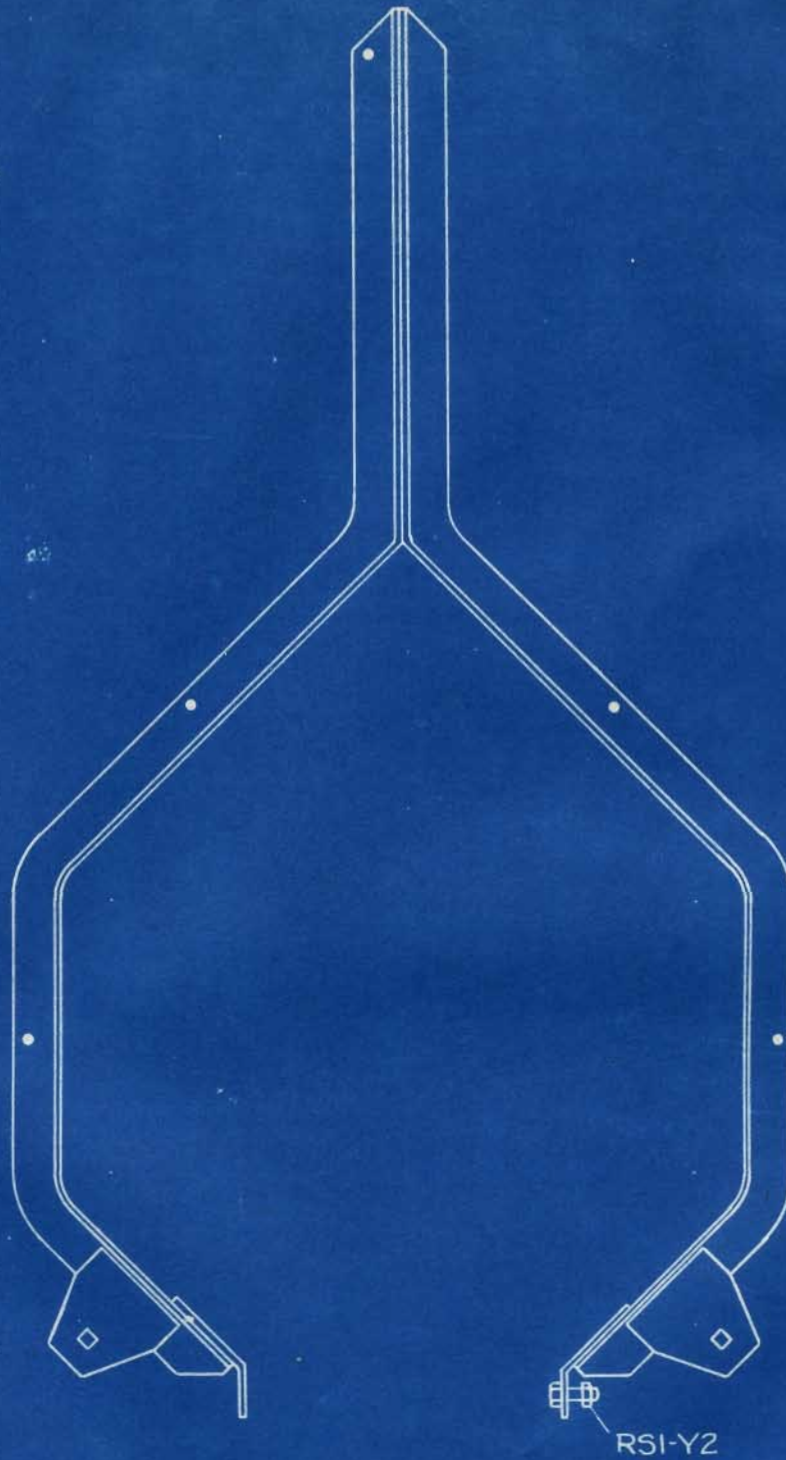
RSI-X2101 RIGHT ANGLE
FLASHING LIGHT BRACKET
SPECIFY RIGHT OR LEFT SIDE.
SEE KEY MAP BELOW.

RSI-X2101



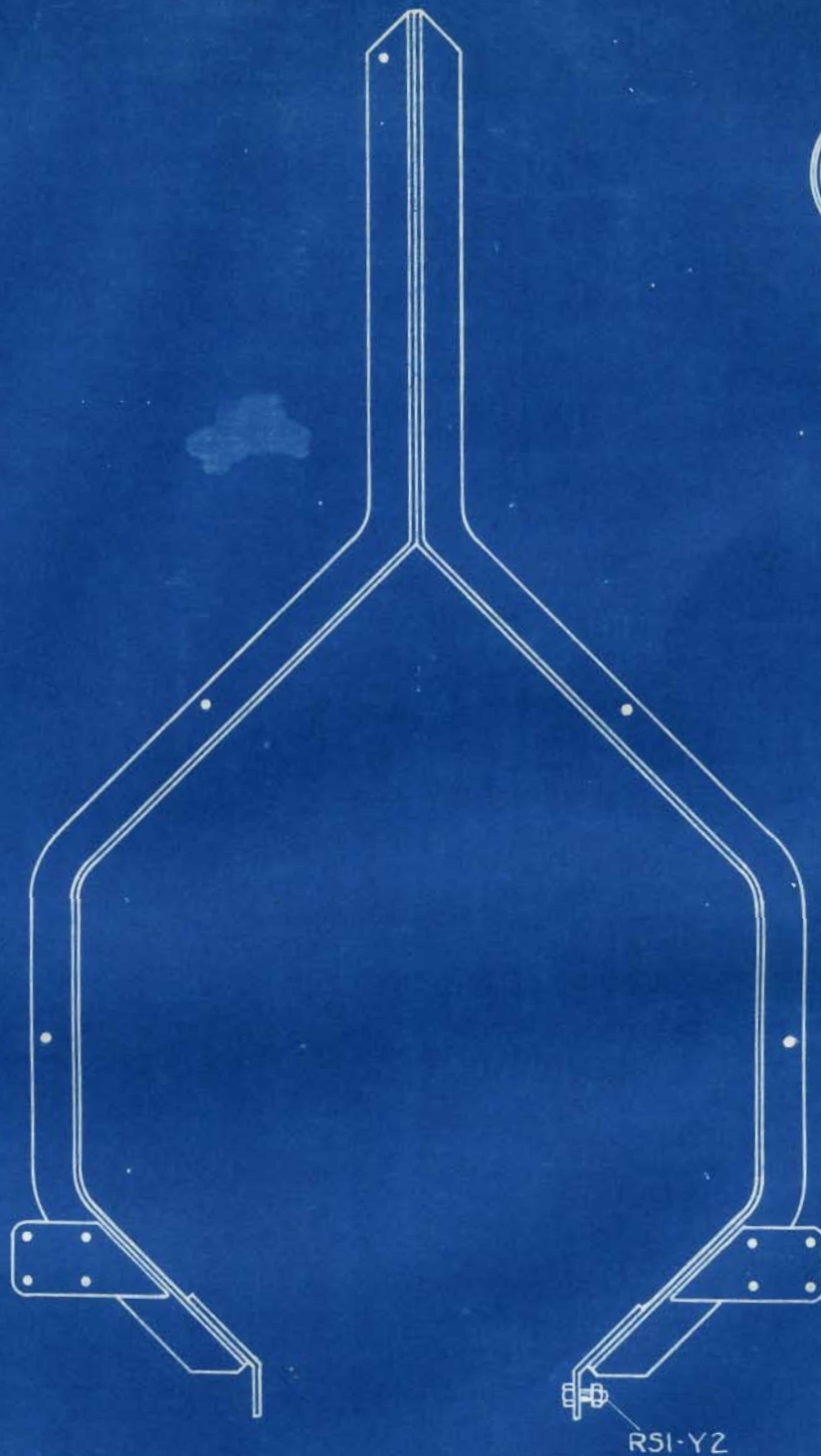


RSI-X25 REFLECTOR TRACK SIGN
BLACK LETTERS ON WHITE BACKGROUND
SPECIFY NUMBER OF TRACKS AND MOUNTING



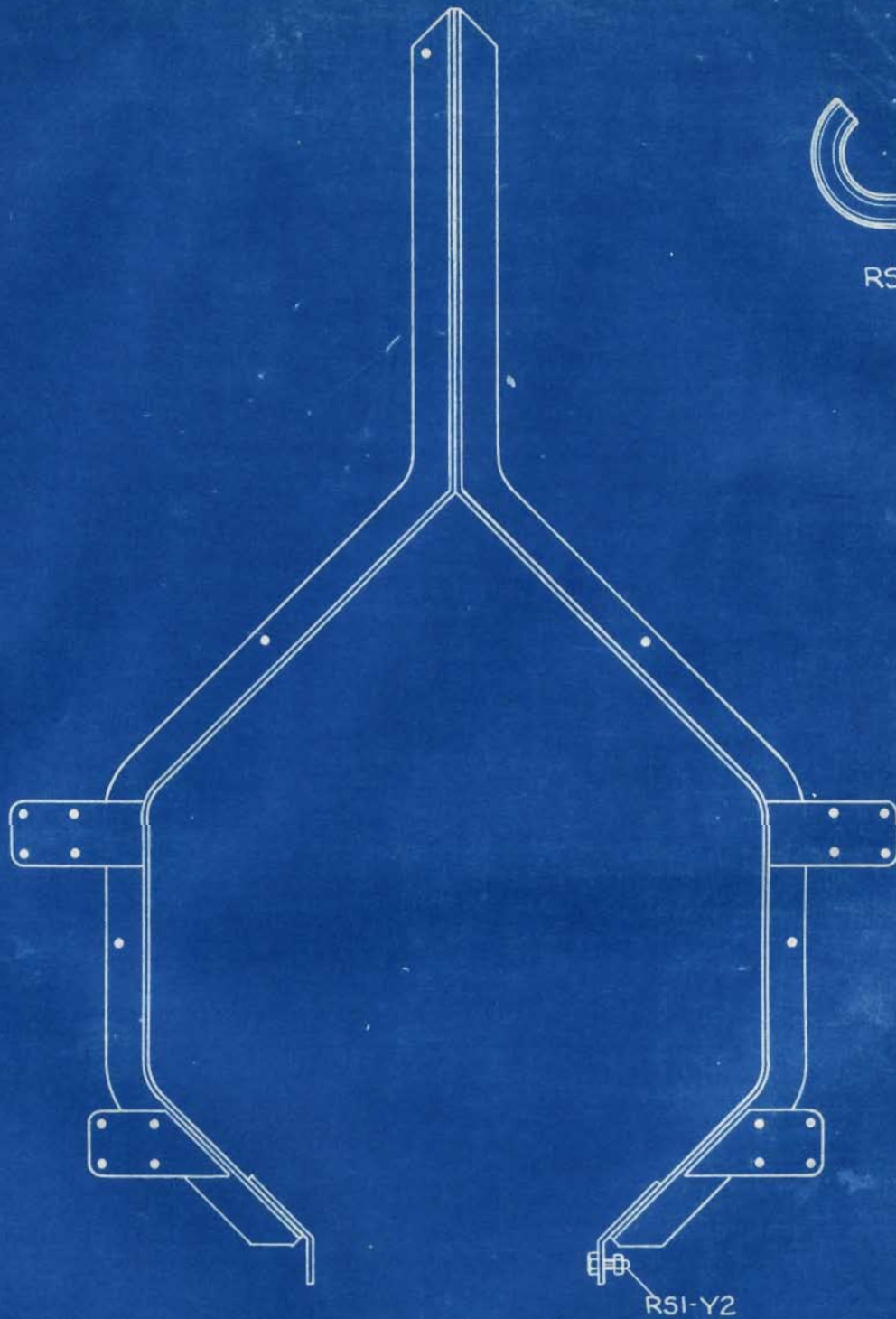
T IRON FRAME WITH 2 STATIONARY FLASHING LIGHT BRACKETS

NO	T IRON FRAME	REQD	NO	REQD
RSI-Y1	T IRON FRAME COMPLETE	1		
2	" " " BOLTS	4		
5	CONDUIT HOOK BOLTS			



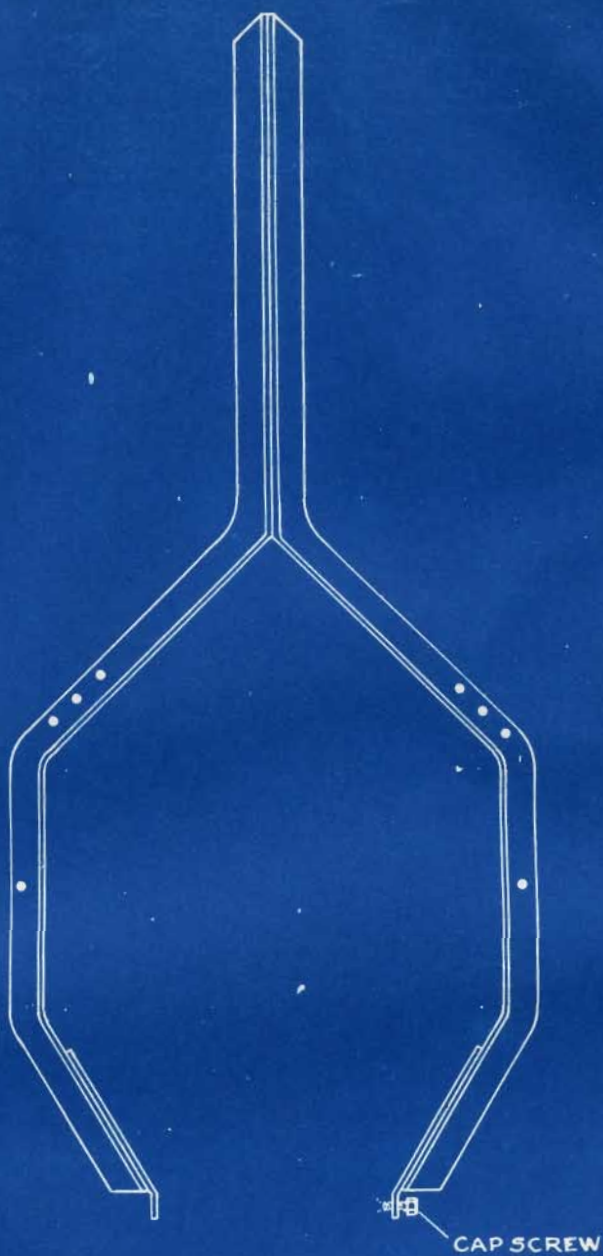
T IRON FRAME WITH 2 ADJUSTABLE
FLASHING LIGHT BRACKETS

NO	T IRON FRAME	REQD	NO	REQD
RSI-Y101	T IRON FRAME COMPLETE	1		
2	" " " BOLTS	4		
5	CONDUIT HOOK BOLTS			



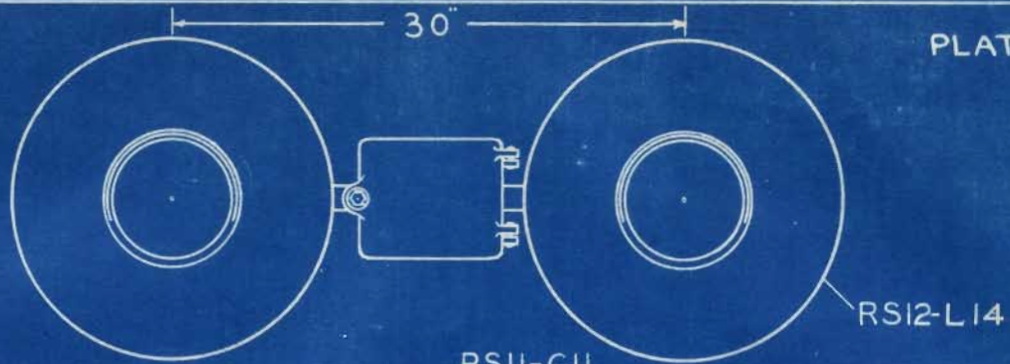
T IRON FRAME WITH 4 ADJUSTABLE
FLASHING LIGHT BRACKETS

NO	T IRON FRAME	REQD	NO	REQD
R51-Y11	T IRON FRAME COMPLETE	1		
2	" - - BOLTS	4		
5	CONDUIT HOOK BOLTS			



T IRON FRAME
FOR TWIN ADJUSTABLE LAMP BRACKETS

NO	DESCRIPTION	REQD	NO	DESCRIPTION	REQD
RSI-Y12	T IRON FRAME COMPLETE	1			
	" " " CAP SCREWS	4			
	CONDUIT HOOK BOLTS				

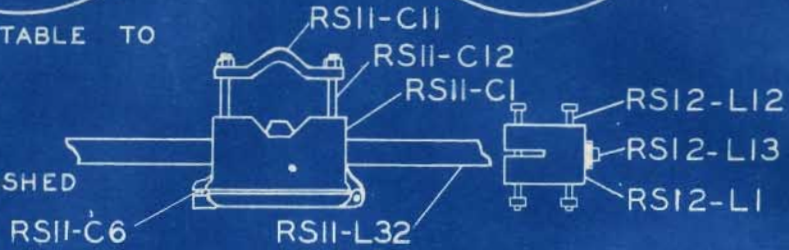


NOTE
 CLAMPING ARRANGEMENT ADAPTABLE TO
 FROM 2 1/2 TO 5 INCH PIPE

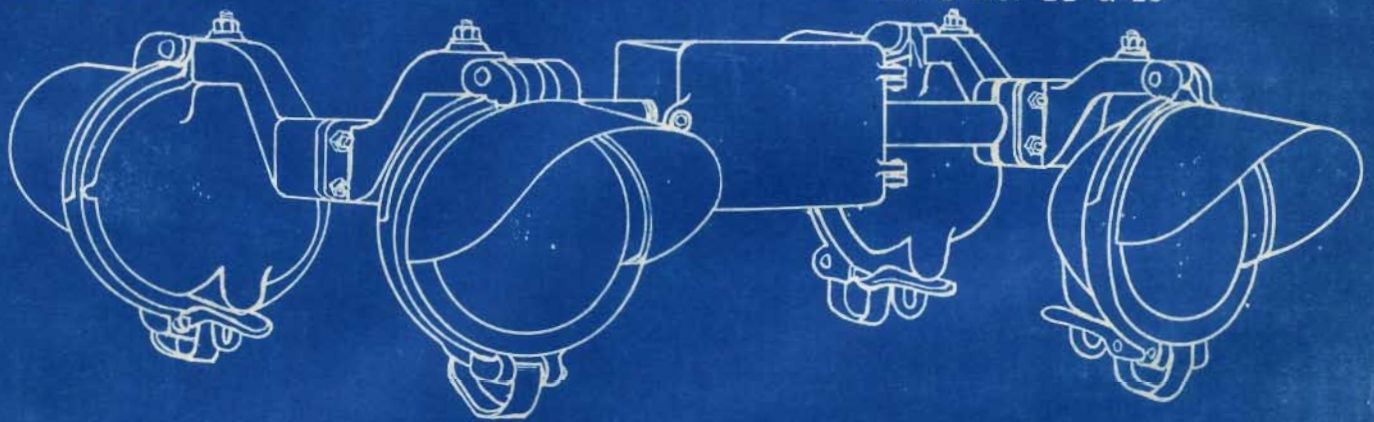
IN ORDERING SPECIFY IF BACK
 LIGHTS ARE WANTED

BAGKROUNDS ARE NOT FURNISHED
 UNLESS CALLED FOR

SEE PLATE RSI-L2 & L3 FOR
 LAMP UNIT DETAILS



FOR LAMP UNIT DETAIL SEE
 PLATE RSI-L2 & L3



**BACK TO BACK, ADJUSTABLE
 FLASHING LIGHT UNIT
 FOR PIPE MOUNTING**

PART NO.	PART NAME	PART NO.	PART NAME
RSII-C1	TERMINAL CABINET	RS12-L1	LAMP BRACKET SUPPORT
" C4	" " DOOR PACKING	" L12	" " " BOLT
" C6	" " LOCK SCREW	" L13	" " " PLUG
"		" L14	" BACKGROUND
" B1	ARA TERMINAL		
" B2	" " WOOD SCREW		
" B3	TERMINAL BOARD		
" B4	" " SCREW		
"			
" C11	CABINET CLAMP STRAP		
" C12	" " " BOLT		
" L32	BRACKET PIPE		
" L35	WIRES-COMplete SET		



DUOTANG
COVER
No. 1888