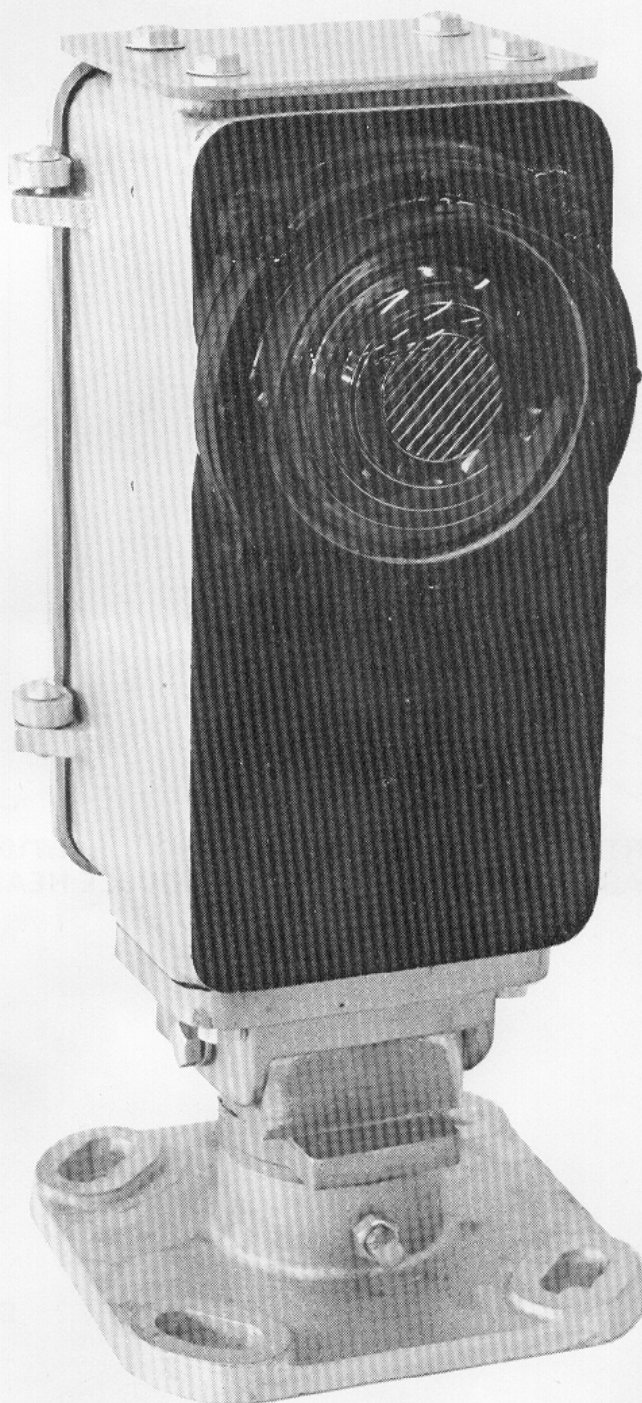


SECTION 15
SUBSECTION F
RAPID TRANSIT UNILENS SIGNAL
IW10-RT

ZCG UTILITY SCRAP
UNION MO 63084

INDEX

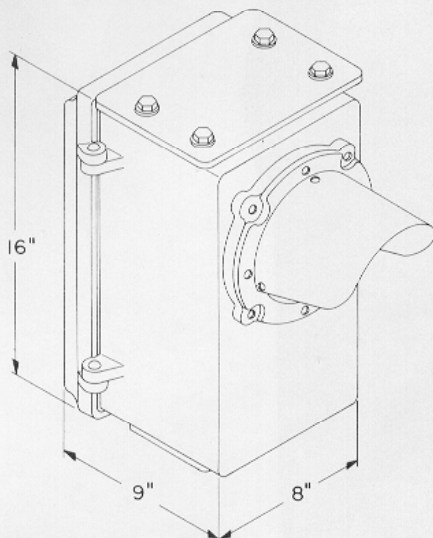
Introduction	15-F-1
IW10-RT Signal Head and Mounting Bracket Assemblies	15-F-2
Ordering Information	15-F-3
IW10-RT Signal Head Replacement Parts	15-F-4

RAPID TRANSIT UNILENS SIGNAL**IW10-RT****ZCG UTILITY SCRAP****UNION MO 63084****INTRODUCTION**

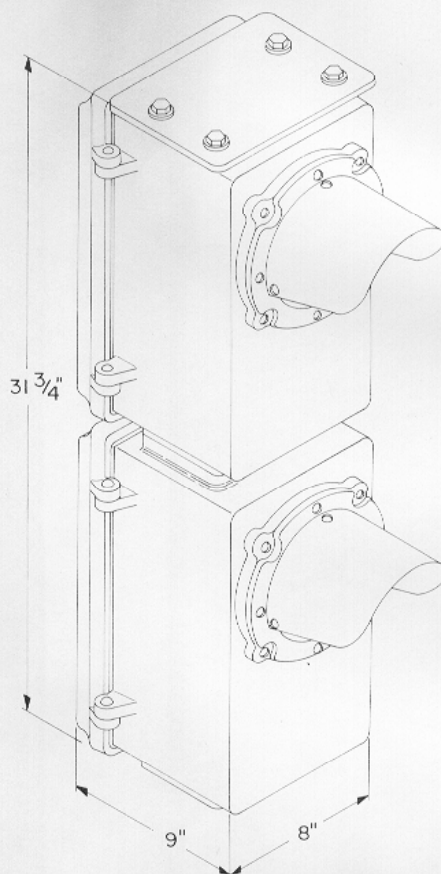
The UNILENS type IW10-RT Rapid Transit Colorlight is a compact Wayside Signal. It is designed for use in limited clearance applications. It has the capability of transmitting up to four (4) color aspects thru a common lens system. A single 6-3/8 inch diameter stepped lens is used. Mountings are made for top of mast, dwarf or brackets for wall installation. Where more than one indication at a time is desired the Rapid Transit Signal can be assembled in vertical, stack arrangement.

IW10-RT SIGNAL HEAD AND MOUNTING BRACKET ASSEMBLIES

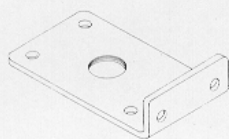
ZCG UTILITY SCRAP
UNION MO 63084



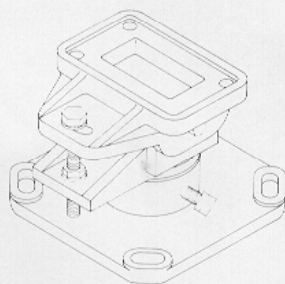
**IW10-RT
(SINGLE HEAD ASSEMBLY)**



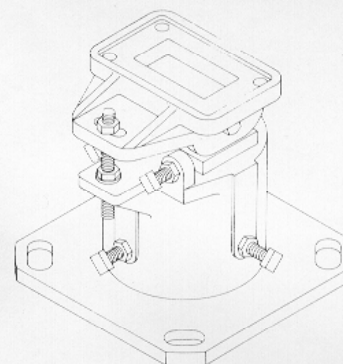
**IW10-RT
(DOUBLE HEAD ASSEMBLY)**



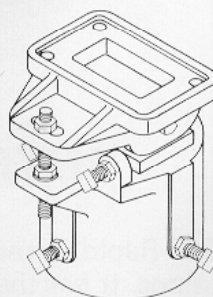
**SIDE OF WALL
MOUNTING**



**DWARF MOUNTING
6-3/4" x 6-3/4" B. S.**



**DWARF MOUNTING
8" x 8" B. S.**



**TOP OF MAST
MOUNTING**

RAPID TRANSIT UNILENS SIGNAL IW10-RT ORDERING INFORMATION

**ZCG UTILITY SCRAP
UNION MO 63084**

TO ORDER SPECIFY:

1. Description and Assembly Number of IW10-RT Unilens desired. (See table below).
2. Mounting bracket description and assembly number. (See table below).
NOTE: Mast mounted is for 5" pipe mast unless specified otherwise on order.
3. Lens (6-3/8" D. x 3-3/4" Focal Length). Specify lens desired from Section 15-B.
4. Color indications desired: red, green, yellow, lunar white or blue available.
NOTE: If a two unit stack is ordered indicate top and bottom colors desired.
5. Visor – Steel or plastic.
6. Bulb 10 volt – 18 watt or 10 volt – 25 watt.

UNILENS IW10-RT (SINGLE HEAD ASSEMBLIES)

Description & Indications	Assembly Number
Single Head 2 Aspect	042310-39X
Single Head 3 Aspect	042310-40X
Single Head 4 Aspect	042310-41X

UNILENS IW10-RT (DOUBLE HEAD ASSEMBLIES)

Description & Indication		Assembly Number
Top Unit	Bottom Unit	
2 Aspect	2 Aspect	042310-42X
2 Aspect	3 Aspect	042310-43X
2 Aspect	4 Aspect	042310-44X
3 Aspect	2 Aspect	042310-45X
3 Aspect	3 Aspect	042310-46X
3 Aspect	4 Aspect	042310-47X
4 Aspect	2 Aspect	042310-48X
4 Aspect	3 Aspect	042310-49X
4 Aspect	4 Aspect	042310-50X

MOUNTING BRACKET ASSEMBLIES

Description	Assembly Number
Dwarf Mounting 6-3/4" x 6-3/4" B. S.	042275-1X
Dwarf Mounting 8" x 8" B. S.	042275-3X
Top of Mast Mounting (5 Inch Pipe Mast)	042254-2X
Side of Wall Mounting	042316-X

