

ZCG UTILITY SCRAP  
UNION MO 63084



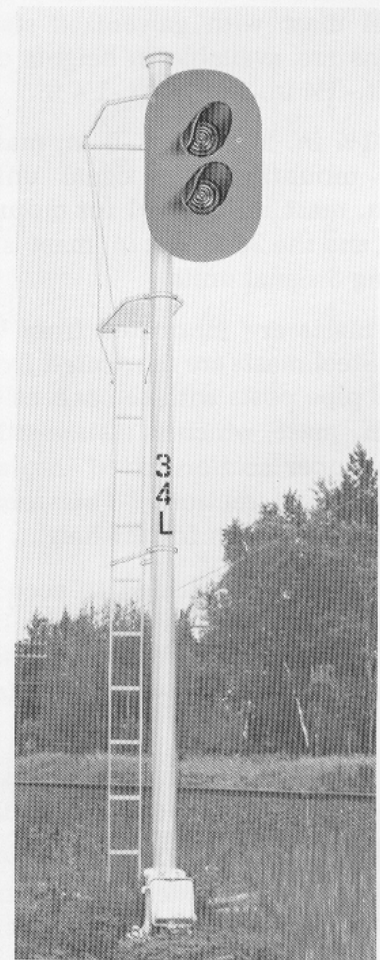
An American-Standard Company

## MAINLINE COLOR LIGHT SIGNAL ASSEMBLIES

### COLORLIGHT & MARKER LIGHT SIGNAL UNITS

WABCO's Mainline Color Light Signal Assemblies, utilizing R-2 Color Light and HC-33 Marker Light Signal units, are available to suit most standard applications. All components and masts are pre-drilled enabling quick and easy erection. Time-honored WABCO quality is your assurance of a reliable and efficient mainline signal assembly that will provide years of trouble-free operation.

For Mainline Color Light Signal Assemblies utilizing WABCO's H-2 Searchlight Units, and HC-33 Marker Light units, refer to catalog section RSE-2B1.



UNION SWITCH & SIGNAL DIVISION  
WESTINGHOUSE AIR BRAKE COMPANY  
Swissvale, PA 15218

**RSE-2B2**  
6/77

## INTRODUCTION

The standard color light signals and marker lights shown in this catalog section have been arranged to provide maximum ease and flexibility in ordering. A basic signal is comprised of: (1) an aluminum or steel mast and ladder assembly; (2) signal units; and (3) installation material.

Because of the many possible combinations, the signal light units are listed in separate catalog sections for quick and easy reference and ordering. Included in these sections are optional items, hoods, backgrounds, and material required to mount and install the specific light unit. The mast and ladder required for a specific installation is covered in this catalog section.

## MAST AND LADDER ASSEMBLY

Mast and ladder assemblies are available in both aluminum and steel combinations and sizes as described in the following paragraphs.

The aluminum masts with galvanized steel ladders are available in the 16 ft.-5 in. height only. Steel mast with galvanized steel ladder combinations are available in heights of 16 ft.-1¼ in., 22 ft.-1¼ in. and 25 ft.-1¼ in.

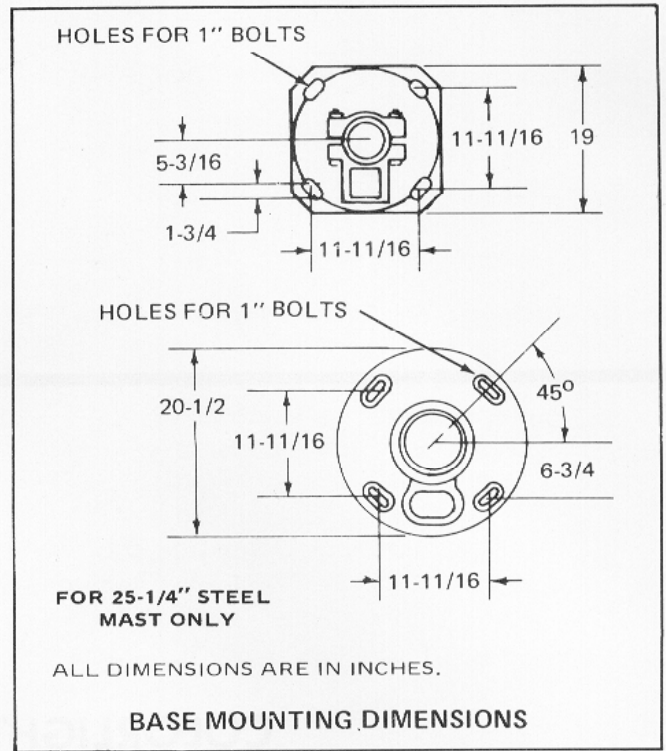
The 16 ft.-1¼ in. and 16 ft.-5 in. mast are designed for mounting one signal unit. The 22 ft.-1¼ in. mast is designed for mounting two signal units, and the 25-ft.-1¼ in. mast is designed for mounting 3 signal units.

Aluminum masts are fabricated from 6" aluminum pipe. Steel masts are fabricated from standard 5" steel pipe posts with the exception of the 25 ft.-1¼ in. mast, which is a standard 5" pipe post in the upper section fitted into a 6" pipe post in the lower section. This arrangement provided added strength for the height.

The steel masts are predrilled to accommodate the maximum number of signal units for which the assembly is designed. When a lesser number of signal units is used, the drilled holes can be capped with a cover plate.

The aluminum or steel mast comes with a junction box base. Base mounting dimensions are shown in the illustration following.

The galvanized steel ladder assemblies consist of ladder sections, platforms, hand rail, ladder stays, and if specified, foundation piers. The ladder assembly illustrated on page 6 shows 3 signal units with related platforms. If less than



3 signal units are to be supplied, a ladder stay is furnished in place of platform.

## SIGNAL UNITS

The aluminum signal units used with the assemblies shown in this Catalog Section are WABCO's R-2 Color Light and the HC-33 Marker Light. The HC-33 Marker Light may be used in place of any of the Color Light units for single indication units. Refer to applicable catalog section for detailed information on the signal light units.

## MOUNTING HARDWARE AND INSTALLATION MATERIAL

Mounting hardware and installation material, e.g., mounting brackets, clamps, etc. apply to the specific signal light unit. Description and details of these items are contained in the catalog section for that unit. Refer to applicable catalog sections for detailed information on these items.

## FEATURES

- Factory-fitted components make erection easy.
- Assemblies comply with AAR and state requirements.
- Many combinations available.
- Custom ordered to suit your particular requirements.



MAINLINE COLOR LIGHT SIGNAL ASSEMBLIES

ZCG UTILITY SCRAP  
UNION MO 63084

ORDERING INFORMATION

The following pages illustrate the Color Light and Marker Light signal assemblies available from WABCO. These assemblies are ordered by individually ordering the mast and ladder, and Color Light and/or Marker Light units with mounting hardware and installation material. Order as follows:

1. Determine number of signal light units required.
2. Refer to the illustrations following and select height of mast required. For example, if you require 3 signal light units, you must order the 25'-1 1/4" mast and ladder assembly.

Aluminum masts and ladders are available in 16'-5" heights only; steel mast and ladders are available in 16'-1 1/4", 22'-1 1/4", and 25'-1 1/4" heights.

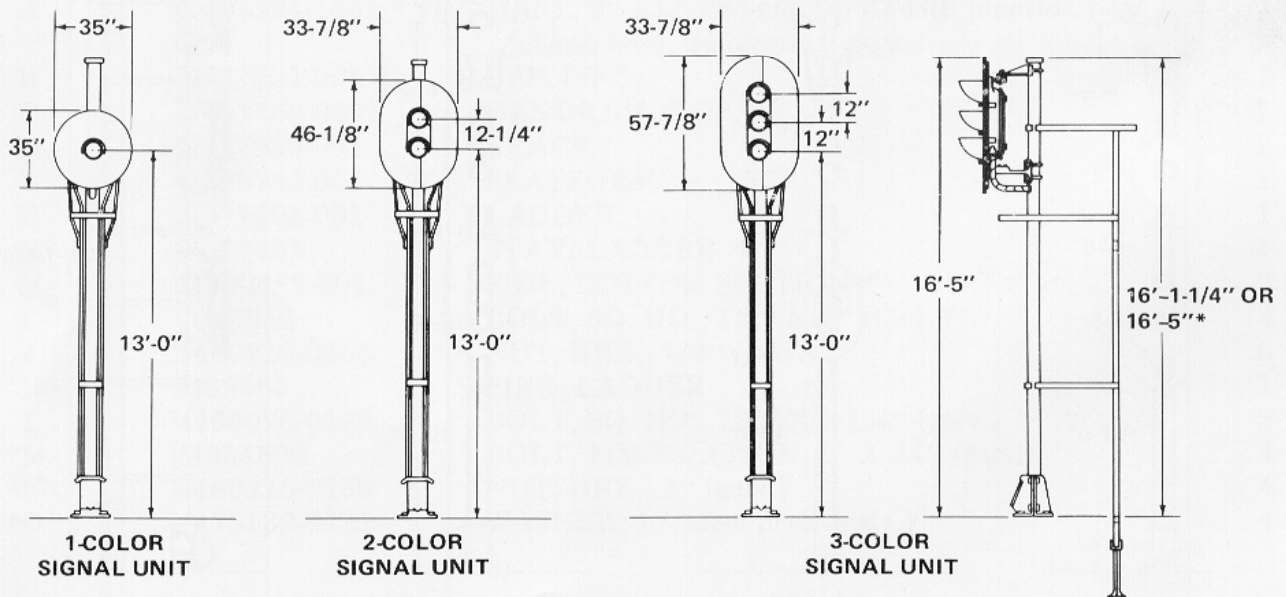
3. Order Mast and Ladder assembly from this catalog section. Quantities required for the assembly desired is shown in the tabulations following.
4. Order R-2 Color Light Signal Light Units from catalog section RSE-2D2. Optional equipment and installation material can also be found in this section.
5. Order HC-33 Marker Light Signal Unit from catalog section RSE-2D3. Optional equipment and installation material can also be found in this section.

NOTES: If the Signal Light Assembly desired cannot be obtained from the standard assemblies, consult your nearest WABCO representative for additional information.

For Ordering Information on Mainline Color Light Signal Assemblies utilizing H-2 Searchlight Signal Units, refer to Catalog Section RSE-2B1.

ONE-UNIT ASSEMBLY

16'-5" ALUMINUM OR 16'-1-1/4" STEEL MAST AND LADDER ASSEMBLY

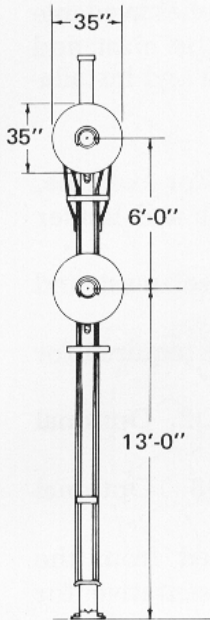


\*Aluminum

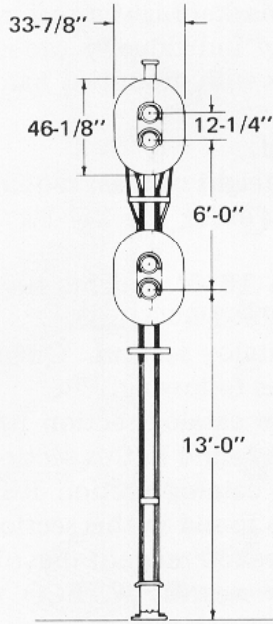
**TWO-UNIT ASSEMBLY**

**ZCG UTILITY SCRAP  
UNION MO 63084**

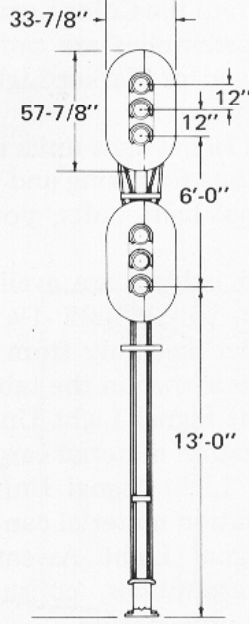
**22'-1-1/4" STEEL MAST AND LADDER ASSEMBLY**



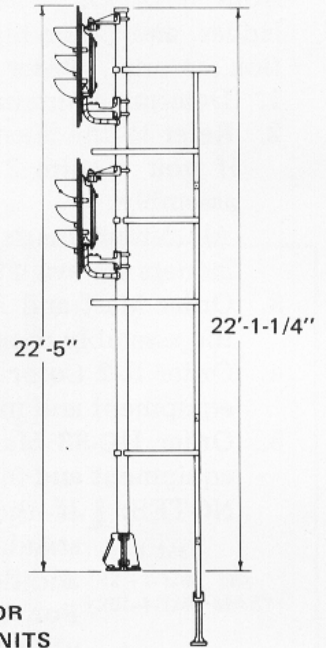
**1-COLOR  
SIGNAL UNITS**



**2-COLOR  
SIGNAL UNITS**

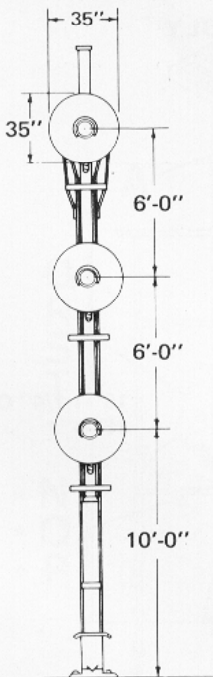


**3-COLOR  
SIGNAL UNITS**

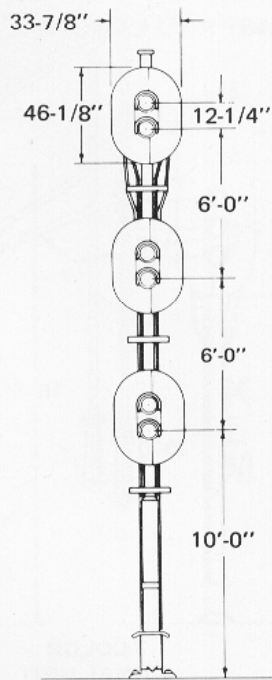


**THREE-UNIT ASSEMBLY**

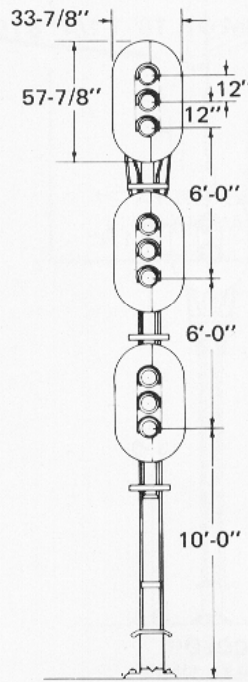
**25'-1-1/4" STEEL MAST AND LADDER ASSEMBLY**



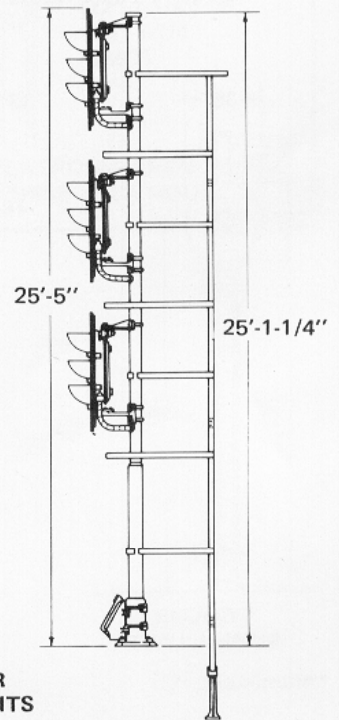
**1-COLOR  
SIGNAL UNITS**



**2-COLOR  
SIGNAL UNITS**

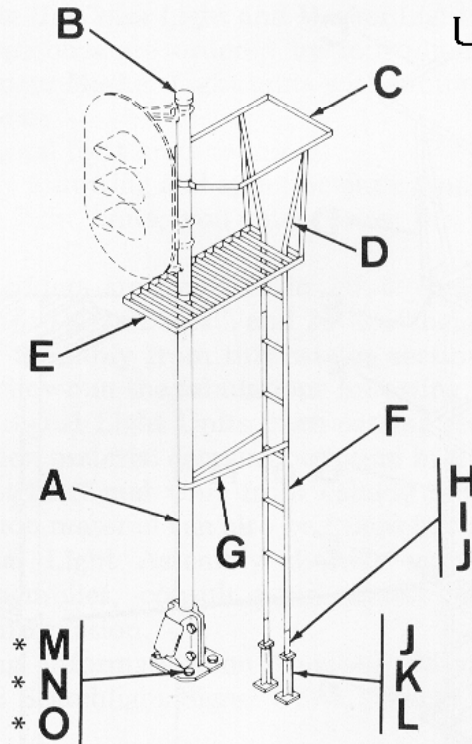


**3-COLOR  
SIGNAL UNITS**



TYPICAL 1-UNIT, 16'-5" SIGNAL ASSEMBLY  
(ALUMINUM MAST AND LADDER)

ZCG UTILITY SCRAP  
UNION MO 63084



\*OPTIONAL, SUPPLIED ONLY WHEN SPECIFIED.

REF.	PART NO.	DESCRIPTION	QTY.
A	N451394-1401	MAST, 6" ALUMINUM PIPE, with junction box clamp base, 24 terminal post	1
B	N437391-001	CAP, PIPE	1
C	N451438-0201	HANDRAIL, TOP	1
D	N377930-001	BRACE	2
E	N303733-001	PLATFORM	1
F	N377906-001	LADDER	1
G	N434461	STAY, LADDER	1
H	M390482-001	SIDE, BOTTOM SECTION	2
I	J046552	BOLT, SQ. HD., 1/2" X 1" (Cad. Pl.)	4
J	J480210-0105	NUT, HEX., 1/2" (galv.)	6
K	M62563	PIER, LADDER	1
L	J466076-0120	BOLT, SQ. HD., 1/2" X 1-1/4" (galv.)	2
*M	M254806	BOLT, FOUNDATION, 1" X 24" (galv.)	4
*N	J480210-0159	NUT, HEX., 1" (galv.)	4
*O	J475132-0121	WASHER, 1", steel plate (galv.)	4

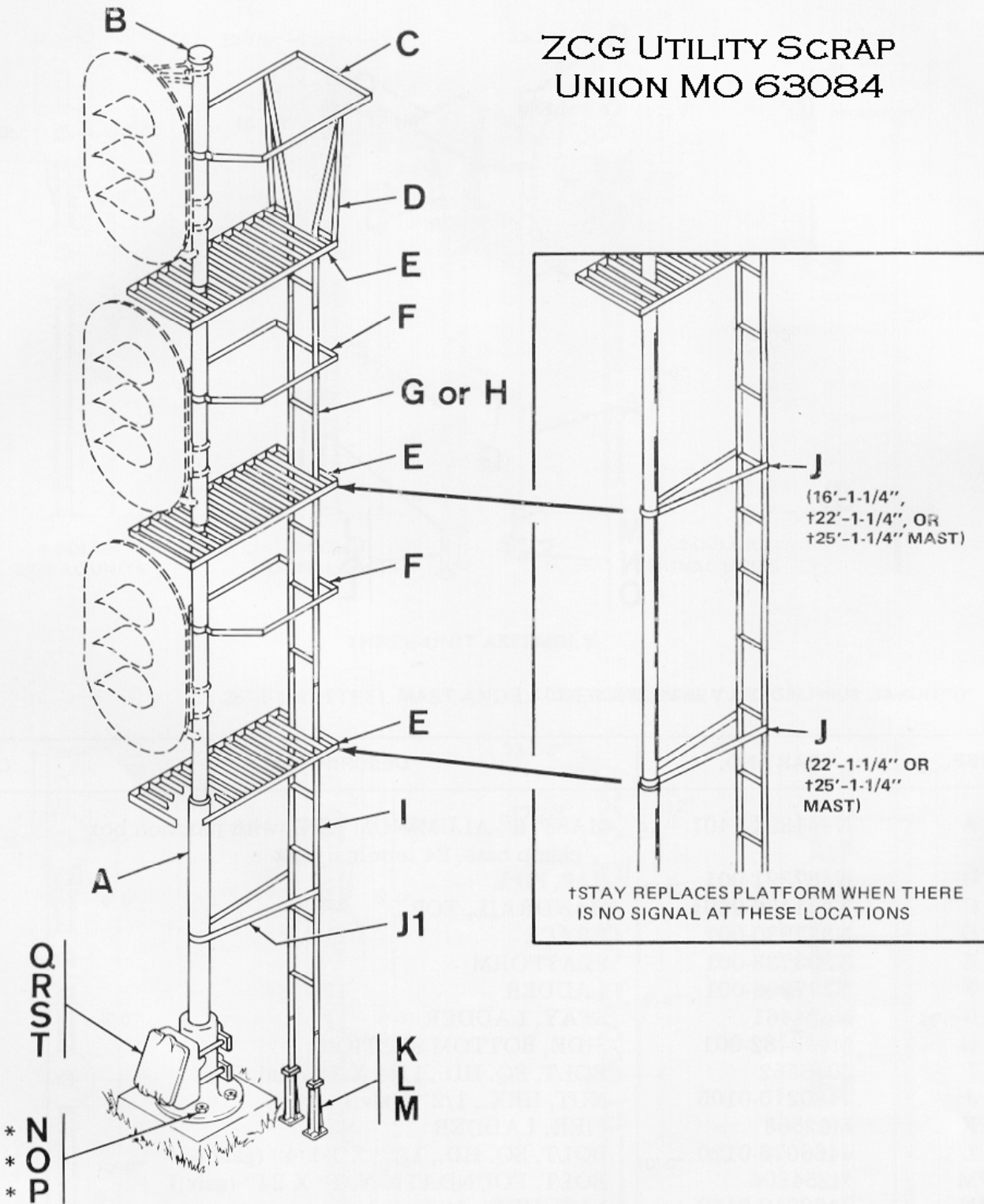
\*Foundation hardware is optional and is supplied only if specified on the order.



TYPICAL 3-UNIT 25'-1-1/4" SIGNAL ASSEMBLY

(STEEL MAST AND LADDER)

ZCG UTILITY SCRAP  
UNION MO 63084



\*OPTIONAL, SUPPLIED ONLY WHEN SPECIFIED.

REF.	PART NO.	DESCRIPTION	16'-1¼" ASSY	22'-1¼" ASSY	25'-1¼" ASSY
A1	N390497	MAST, 5" STEEL PIPE, with holes for 1 signal, with junction box clamp base, 24 terminal posts	1		
A2	N390502	MAST, 5" STEEL PIPE, with holes for 2 signals, with junction box clamp base, 24 terminal posts		1	
A3	N390549	MAST, 5" & 6" STEEL PIPE, with holes for 3 signals, with base arranged for junction box			1
B	N377598	CAP, PIPE	1	1	1
C	N390566	HANDRAIL, TOP	1	1	1
D	N390576	BRACE	2	2	2
E	N220676	PLATFORM	1	2	3
F	N128467	HANDRAIL, MIDDLE OR BOTTOM		1	2
G	N377906	LADDER, TOP SECTION		1	1
H	M390483	LADDER	1		
I	M390484	LADDER, BOTTOM SECTION		1	
II	N390485	LADDER, BOTTOM SECTION			1
J	N128591	STAY, LADDER	1	1	
J1	N128592	STAY, LADDER			1
K	M062563	PIER, LADDER	1	1	1
L	J046816	BOLT, SQ. HD. 1/2" x 1-1/4" (cad. pl.)	2	2	2
M	J048013	NUT, HEX, 1/2" (cad. pl.)	2	2	2
*N	M254806	BOLT, FOUNDATION, 1" x 24"	4	4	
*N1	M169805	BOLT, FOUNDATION, 1" x 36"			4
*O	J048030	NUT, HEX, 1" (ZN pl)	4	4	4
*P	J047509	WASHER, 1" steel plate (ZN pl)	4	4	4
Q	N212958	BOX, JUNCTION, 24 term. posts (for use with A3)			1
R	N104294	CLAMP, HALF (for junction box)			2
S	N104873	BOLT, HOOK, 3/4" (for junction box)			4
T	J048026	NUT, HEX, 3/4" (cad. pl.) (for hook bolt)			4

NOTE: On installations where either middle or bottom signal unit (or both) is to be omitted, furnish cover cap N385275 (along with the same U-bolt and nuts used for cable outlet) to cover unused opening in mast.

On installations where either middle or bottom signal unit (or both) is omitted, if ladder platform is not desired at the location of the omitted signal or signals, then omit platform and handrail for that location and furnish instead a ladder stay N128591 (REF. J) to be installed at location of omitted platform.

\* Foundation hardware is optional and is supplied only if specified on the order.